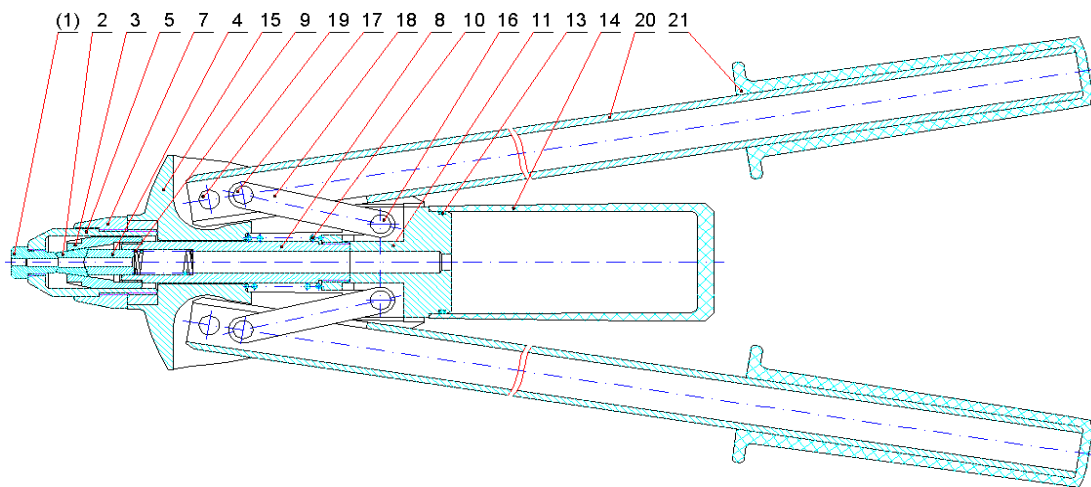


Manual Series M2 Longarm Riveter Drawing



Position	Article Nr.	Quantity		Description
(1)	D-06400150	1	pcs	Nose-piece 5
(1)	D-06400160	1	pcs	Nose-piece 6
(1)	D-06400164	1	pcs	Nose-piece 6.4
(1)	D-1300165	1	pcs	Nose-piece 6.4 monobolt
2	D-06301330	1	set	Jaws set (3 pcs) Emhart 13300
3	D-1100103	1	pcs	Clamping sleeve
4	D-2102200	1	pcs	Jaw pusher
5	D-2102000	1	pcs	Front nozzle
7	D-2102400	1	pcs	Sleeve of front nozzle
8	D-2102600	1	pcs	Connecting tube
9	D-07410503	1	pcs	Pusher spring
10	D-00551300	1	pcs	Pull-off spring
11	D-2102800	1	pcs	Rear body
13	N-2103703200200	1	pcs	O - ring 32/2 Sh 70
14	D-06301600	1	pcs	Collector
15	D-2103200	1	pcs	Plastic body
16	D-2103400	2	pcs	Pivot pin
17	D-2103400	2	pcs	Pivot pin
18	D-2103600	2	pcs	Bracket
19	D-2103800	2	pcs	Pin of body
20	D-2204001	2	pcs	Lever 350 (black color)
21	D-00551701	2	pcs	Plastic grips (black color)

