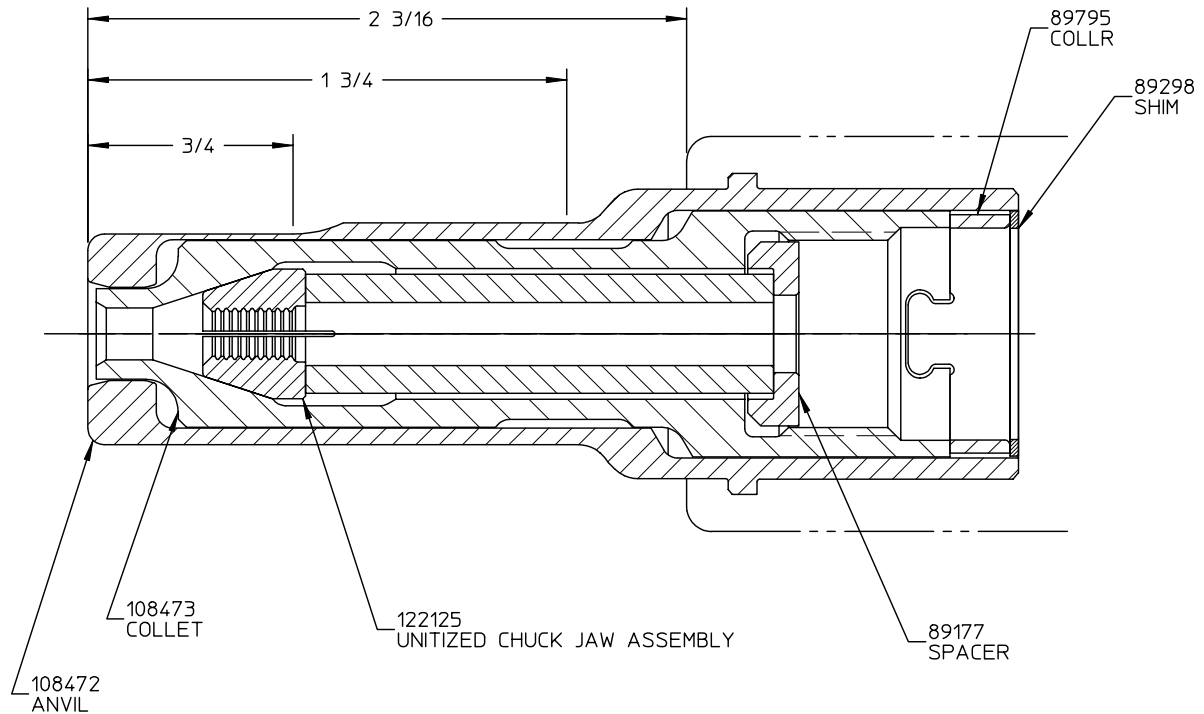
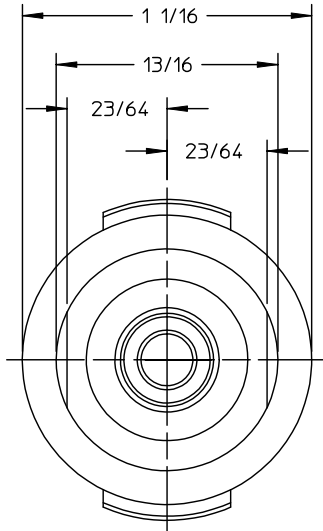


Alcoa Fastening Systems

DATA SHEET



99-830 Part Number	Alcoa Fastening Systems Commercial Products 1 Corporate Drive, Kingston, NY 12401	
	NOSE TYPE:	NON-SELF-RELEASING
	FASTENER TYPE:	-08 BOM
	TOOL(S):	353
	Notes: FILE OBSOLETE SUPERSEDED BY: 99-830-1	Product Revision: H
US Patent:	Date: 06/10/03	

NOTES:

1 SHIP WITH P/N 114431 PINTAIL TUBE.

Contact Applifast

Tel 204 837 8361 • 1 800 563 1293
 info@applifast.com



applifast.com