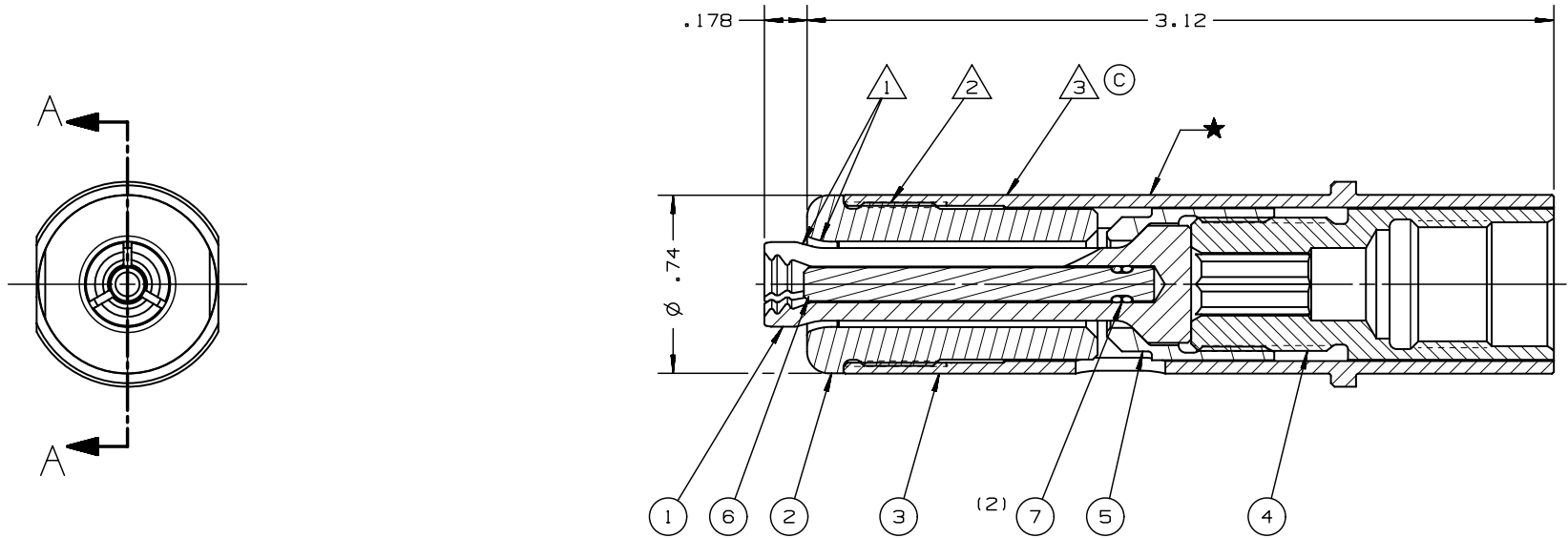


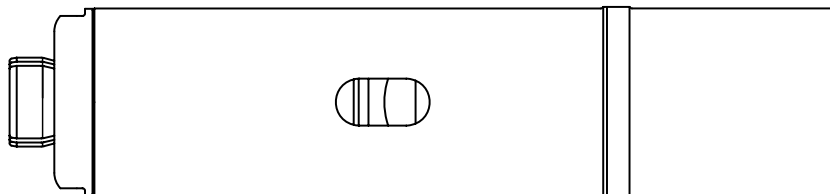
NOTES:

- ① APPLY ANTI-SIEZE LUBRICANT P/N: 508183 OR EQUIVALENT TO OUTSIDE OF PULLER AND INSIDE OF ANVIL.
- ② APPLY LOCTITE 243 P/N: 508567 ON THESE THREADED JOINTS PER MFG'S INSTRUCTIONS DURING ASSEMBLY ON TOOL
- ③ APPLY WARNING STICKERS P/N 590273 AND P/N 590513

REV	DESCRIPTION	DET	DATE
A	RELEASE	TRK	09/27/13
B	DELETED ETCHING NOTES, UPDATED ETCHING TO DELETE CE MARK, UPDATED DRAWING BORDER	SMA	01/05/16
C	ADDED CLEAN-OUT SLOT IN ANVIL HOLDER, LOCTITE 243 WAS 242, ADDED NOTE 3	SMA	03/17/17



SECTION A - A



590513	1	PINCH POINT STICKER	9
590273	1	STICKER, WARNING, MOVING PARTS	8
508529	2	O-RING .094 ID X .032 CS	7
130320	1	LIMIT ROD, PULLER, -08 BT	6
130319	1	PULLER CAP, -08 BT	5
124360	1	EXTENSION, SPINDLE	4
129113	1	HOLDER, ANVIL, 244BT	3
129112	1	ANVIL, 244BT, -08 BT	2
130318	1	PULLER, 244BT, .08 BT	1
PART NO.	QTY	DESCRIPTION	ITEM

IDENTIFICATION PER SPEC 42-311: ★ PERMANENT		HUCK INTERNATIONAL, INC., I.S.D 1 CORPORATE DR KINGSTON, NEW YORK 12401	
ITAR/ECCN: EAR99		NOSE, -08 BT 244BT TOOL	
SCH B#: 8467.99.0190		FINAL ASSY: -	
HTS: 8467.99.0190		ENG: CHR	DATE: 09/27/13
		ck:	SCALE: 2:1
		B	99-7932

Contact Applifast

Tel 204 837 8361 • 1 800 563 1293
info@applifast.com



applifast.com