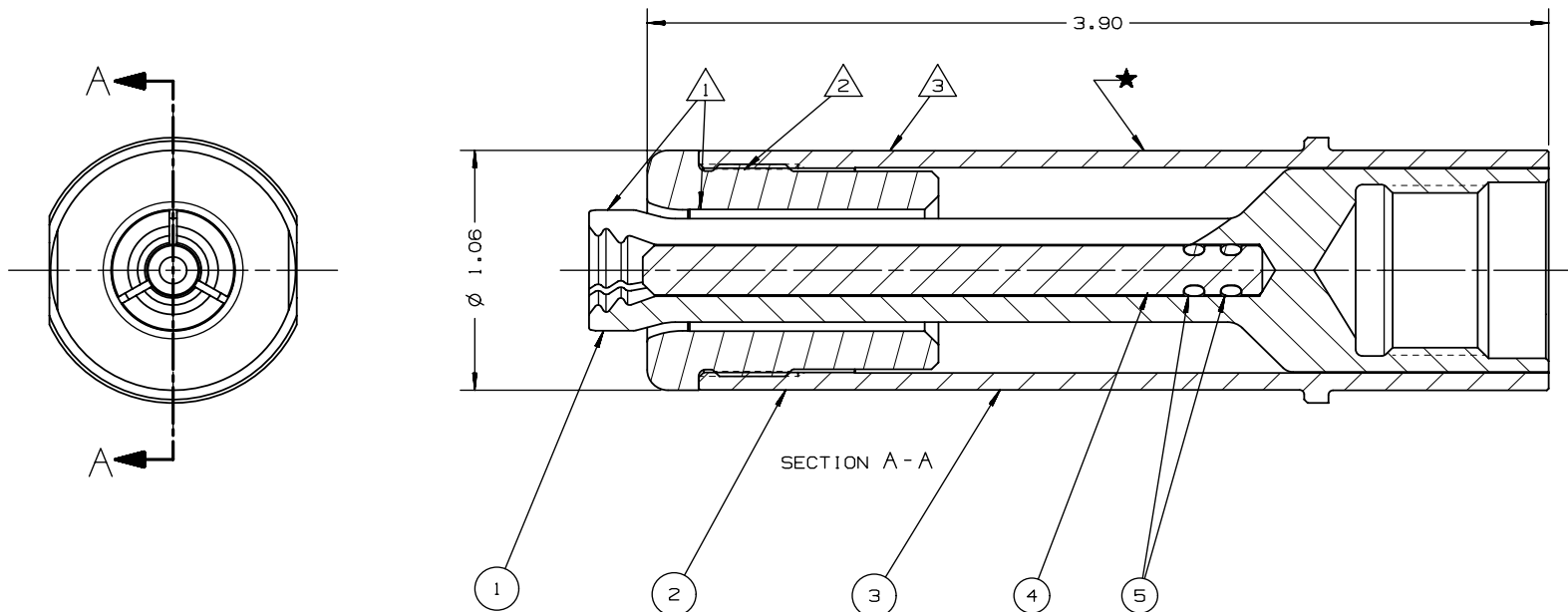


NOTES:

- ① APPLY ANTI-SEIZE LUBRICANT P/N: 508183 OR EQUIVALENT TO OUTSIDE OF PULLER AND INSIDE OF ANVIL.
- ② APPLY LOCTITE 242 P/N: 505316 TO THESE THREADED JOINTS PER MFR'S INSTRUCTIONS DURING ASSEMBLY ON TOOL.
- ③ APPLY WARNING STICKER P/N: 590273 TO ANVIL HOLDER.

REV	DESCRIPTION	DET	DATE
A	RELEASE		1/22/09
B	ADDED SYMBOLS TO NOTES; UPDATED NOTE 3, REMOVE .216 DIM.; UPDATED TITLE BLOCK DESCRIPTION		1/28/10
C	ADDED ITEM 4 (130261) & ITEM 5 (501009)	TRK	3/1/03



⑤	501009	2	O-RING, -005	5
④	130261	1	LIMIT ROD	4
③	129116	1	ANVIL HOLDER	3
②	129115	1	ANVIL, 3/8"	2
①	129114	1	PULLER	1
	PART NO.	QTY	DESCRIPTION	ITEM

IDENTIFICATION PER SPEC 42-311: ★ PERMANENT	HUCK INTERNATIONAL, INC., I.S.D 1 CORPORATE DR KINGSTON, NEW YORK 12401
ITAR/ECCN: EAR99	NOSE ASSY, -12(3/8") BOBTAIL 256BT TOOL
SCH B#: 8467.99.0190	FINAL ASSY: -
HTS: 8467.99.0190	DATE: 1/22/09 SCALE: 2:1
	B 99-7924

FORM KE104 Rev E

By accepting this proprietary Huck drawing, recipient agrees not to reproduce or disclose any part thereof to any other without the written permission of Huck International, Inc.

Contact Applifast

Tel 204 837 8361 • 1 800 563 1293
info@applifast.com



applifast.com