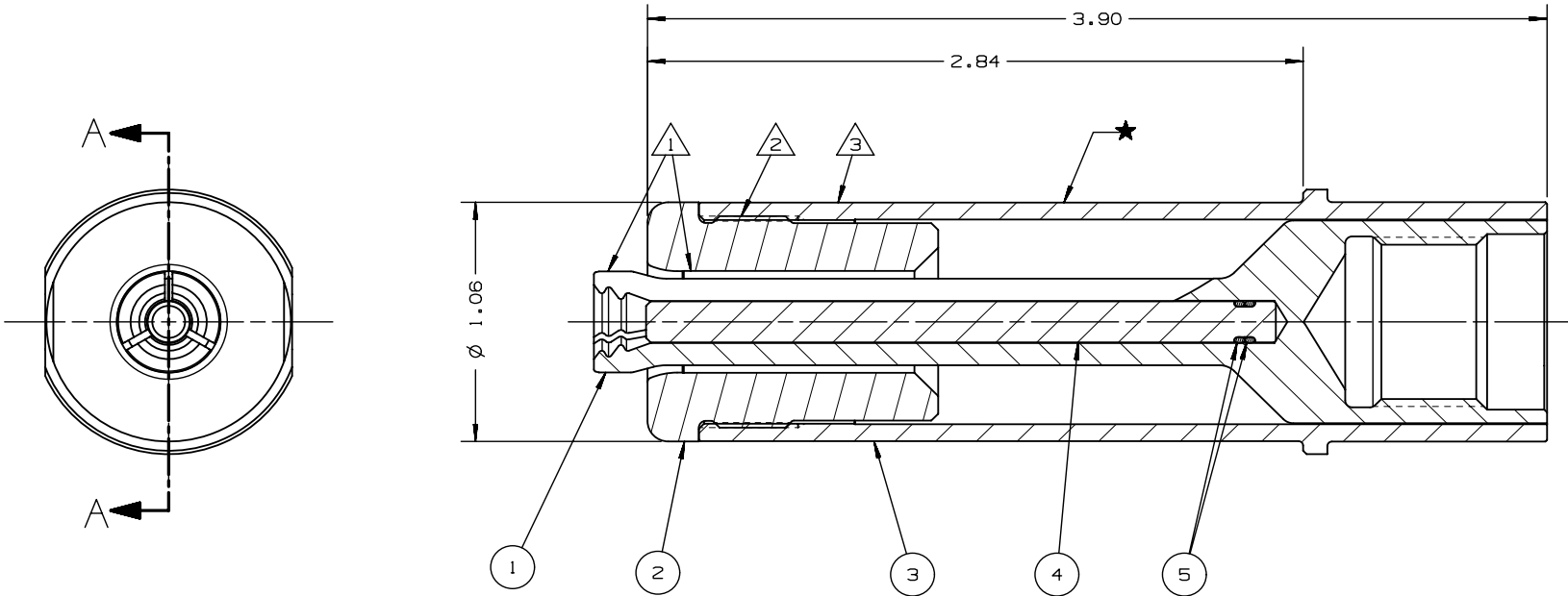


NOTES:

- ① APPLY ANTI-SEIZE LUBRICANT P/N: 508183 OR EQUIVALENT TO OUTSIDE OF PULLER AND INSIDE OF ANVIL.
- ② APPLY LOCTITE 242 P/N: 505316 TO THESE THREADED JOINTS PER MFR'S INSTRUCTIONS DURING ASSEMBLY ON TOOL.
- ③ APPLY WARNING STICKER P/N: 590273 TO ANVIL HOLDER.

REV	DESCRIPTION	DATE
A	RELEASE	1/14/10
B	ADDED 130253, (2) 508818	4/22/13



SECTION A - A

⑤	508818	2	O-RING, .125 I.D. X .031 C.S.	5
④	130253	1	PULLER STOP	4
③	129116	1	ANVIL HOLDER	3
②	129439	1	ANVIL, 5/16"	2
①	129438	1	PULLER	1
PART NO.	QTY	DESCRIPTION	ITEM	

IDENTIFICATION PER SPEC 42-311: ★ PERMANENT			
ITAR:	HUCK INTERNATIONAL, INC., I.S.D. 1 CORPORATE DR., P.O. BOX 2270 KINGSTON, NEW YORK 12401		
ECCN: EAR99	NOSE ASSY, -10 (5/16") BOBTAIL 256BT TOOL		
SCH B#: 8467.99.0190	DET: HKS	CHK:	DATE: 1/14/10 SCALE: 2:1
HTS: 8467.99.0190	B	99-7923	

FORM KE104 Rev D By accepting this proprietary Huck drawing, recipient agrees not to reproduce or disclose any part thereof to any other without the written permission of Huck International, Inc.

Contact Applifast

Tel 204 837 8361 • 1 800 563 1293
info@applifast.com



applifast.com