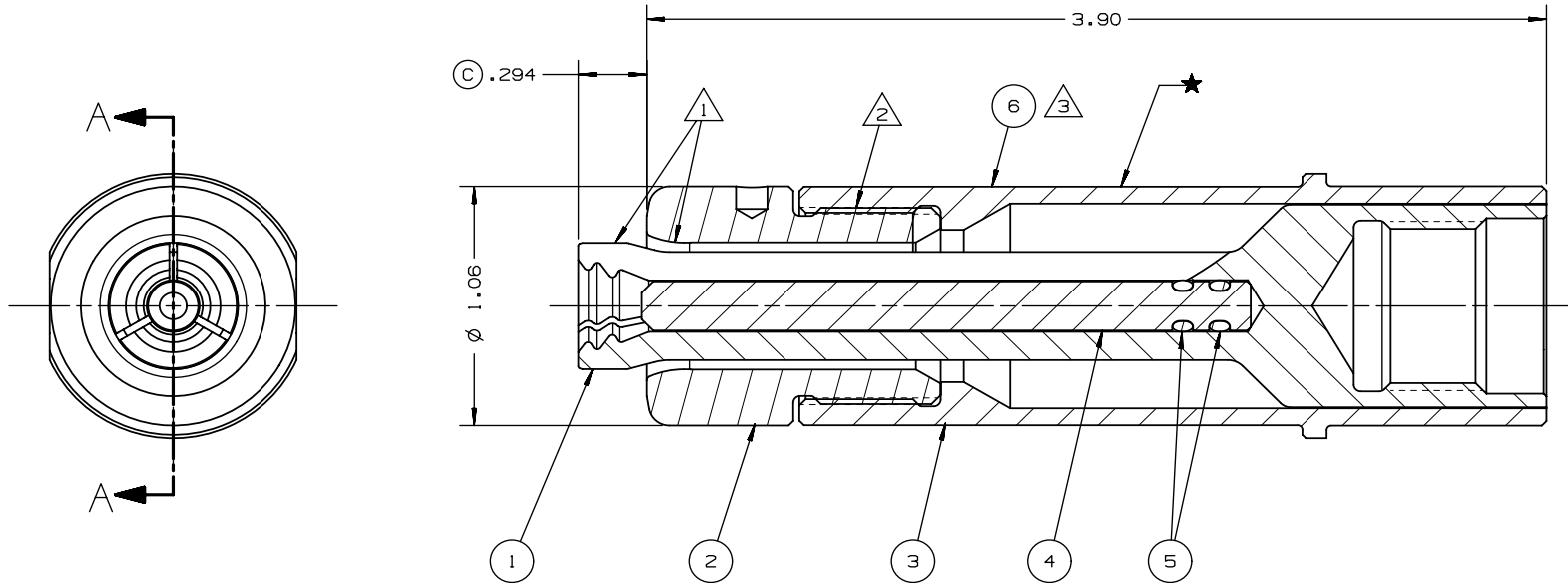


NOTES:

- ① APPLY ANTI-SEIZE LUBRICANT P/N: 508183 OR EQUIVALENT TO OUTSIDE OF PULLER AND INSIDE OF ANVIL.
- ② APPLY LOCTITE 243 P/N: 508567 TO THESE THREADED JOINTS PER MFR'S INSTRUCTIONS DURING ASSEMBLY ON TOOL.
- ③ APPLY WARNING STICKER P/N: 590273 TO ANVIL HOLDER.

REV	DESCRIPTION	DET	DATE
A	RELEASE	TRK	11/04/08
B	P/N 129183 WAS 129027	HKS	04/30/09
C	PULLER 130780 WAS 129026, ADDED ITEM 4 (130261), ITEM 5 (501009) & ITEM 6 (590273), .294 WAS .260, LOCKTITE 243 P/N 508567 WAS LOCKTITE 242 P/N 505316	SMA	10/23/14



SECTION A-A

③	590273	1	STICKER, WARNING	6
③	501009	2	O-RING AS568-005 C366Y D70 80	5
③	130261	1	LIMIT ROD	4
③	129028	1	HOLDER, ANVIL	3
③	129183	1	ANVIL, 10MM BT	2
③	130780	1	PULLER, 2503, 10MM BT	1
③	PART NO.	QTY	DESCRIPTION	ITEM

IDENTIFICATION PER SPEC 42-311: ★ PERMANENT		HUCK INTERNATIONAL, INC., I.S.D 1 CORPORATE DR KINGSTON, NEW YORK 12401	
ITAR/ECCN: EAR99		NOSE ASSEMBLY, 10MM BOBTAIL 2503 TOOL	
SCH B#: 8467.99.0190		FINAL ASSY: -	
HTS: 8467.99.0190		ENR: TRK OKI	DATE: 11/04/08 SCALE: 1:1
		B	99-7903

FORM KE104 Rev F

By accepting this proprietary Huck drawing, recipient agrees not to reproduce or disclose any part thereof to any other without the written permission of Huck International, Inc.

Contact Applifast

Tel 204 837 8361 • 1 800 563 1293
info@applifast.com



applifast.com