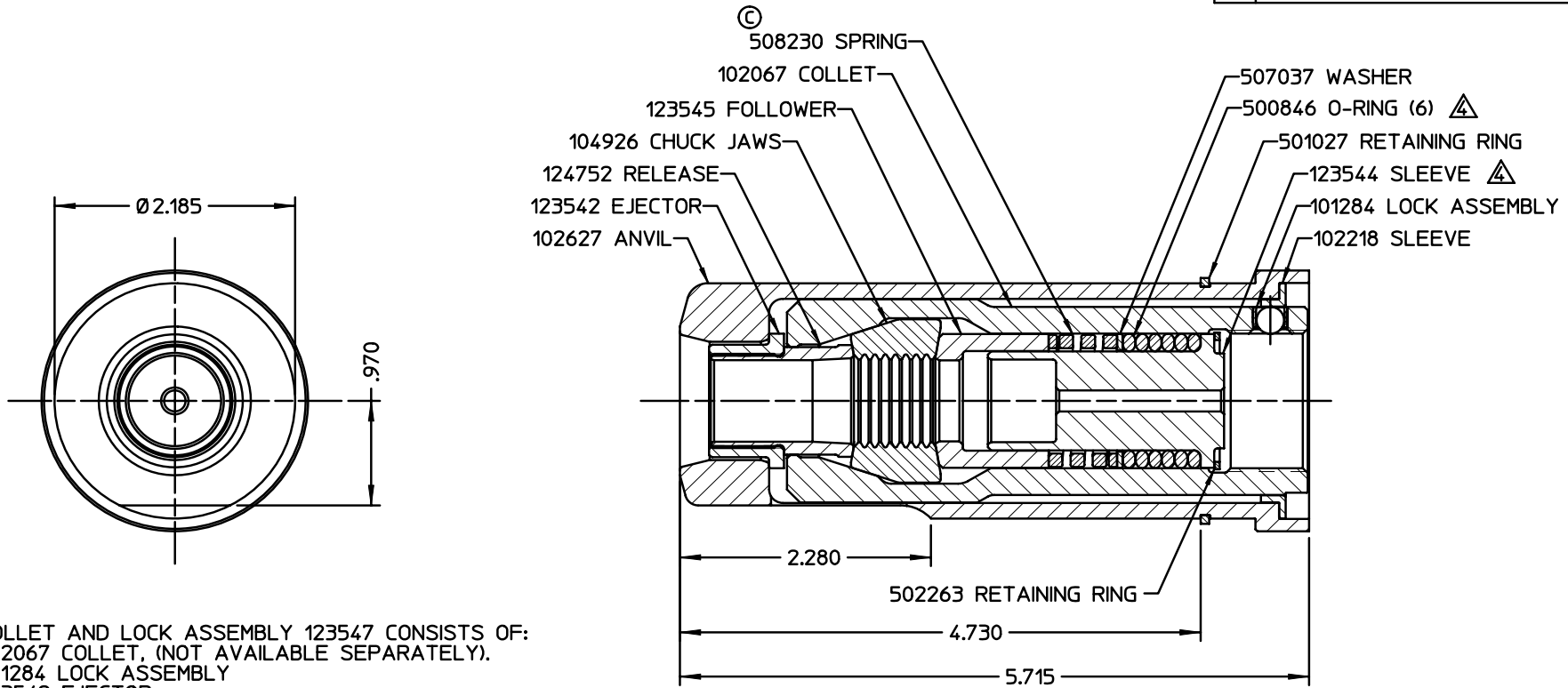


REV	DESCRIPTION	DATE
C	508230 SPRING AS 507035 SPRING	04/24/07



NOTES:

- 1 COLLET AND LOCK ASSEMBLY 123547 CONSISTS OF:  
 102067 COLLET, (NOT AVAILABLE SEPARATELY).  
 101284 LOCK ASSEMBLY  
 123542 EJECTOR  
 124752 RELEASE
- 2 RELEASE AND EJECTOR KIT 123546 CONSISTS OF:  
 124752 RELEASE  
 123542 EJECTOR
- 3 SHIP WITH CAUTION TAG 590152.
- $\triangle$  ASSEMBLE SLEEVE AND O-RINGS PER HUCK SPEC. 42-491.
- 5 RELEASE AND EJECTOR ASSEMBLY TOOL 124751  
 OPTIONALLY AVAILABLE.

HUCK INTERNATIONAL, INC., I.S.D. 85 GRAND STREET, P.O. BOX 2270 KINGSTON, NEW YORK 12401			
NOSE ASSEMBLY -24 C50L			
DET: CHR.	CK:	DATE: 04/24/07	SCALE: 1/1
FOC.	B	99-5010	
FAC.			

FORM KE104 REV C

By accepting this proprietary Huck drawing, recipient agrees not to reproduce or disclose any part thereof to any others without the written permission of Huck International, Inc.

## Contact Applifast

Tel 204 837 8361 • 1 800 563 1293  
 info@applifast.com



applifast.com