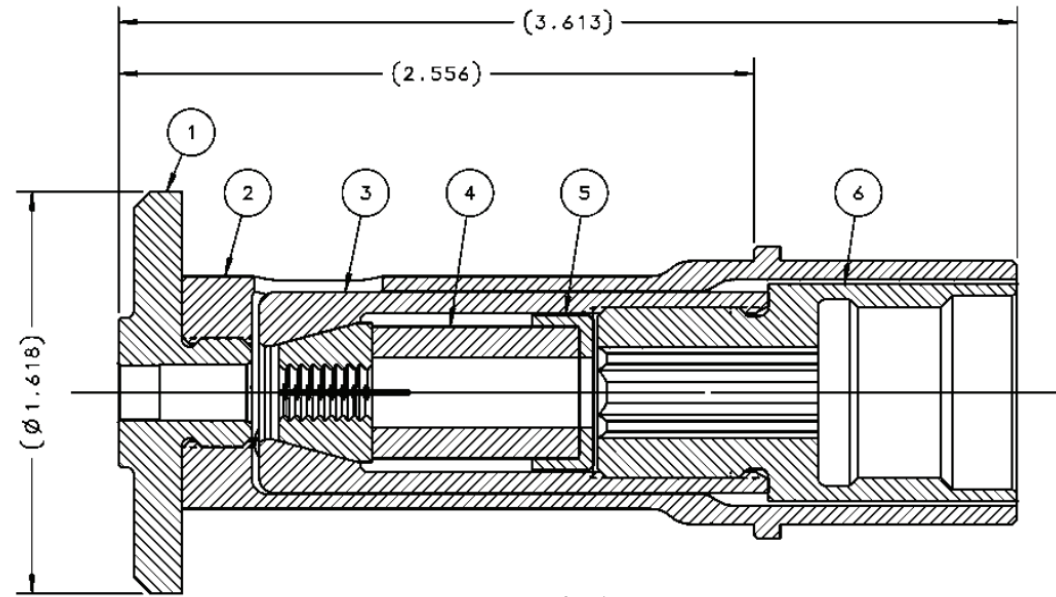
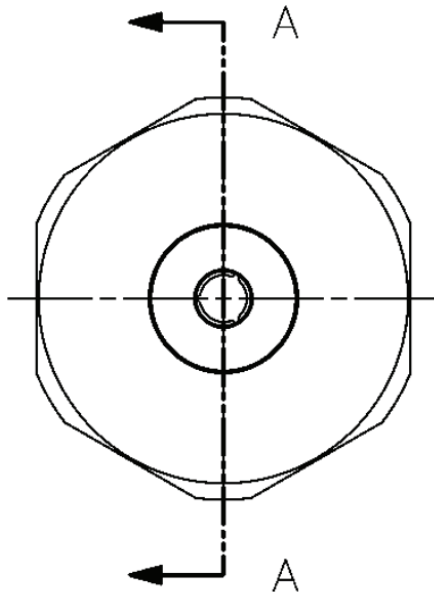


NOTE:

- 1) THE FOLLOWING STEEL DEFECTORS ARE OPTIONALLY AVAILABLE:  
 FOR USE WITH 246 TOOL, USE 123634-246  
 FOR USE WITH 2502/2503 TOOL, USE 123634-2503  
 FOR USE WITH 2580 TOOL, USE 123634-2580

REV	DESCRIPTION	DET	DATE
G	130124 ANVIL INSERT WAS 127828	SMM	04/27/12
H	MODELED IN NX	MJK	01/30/14



SECTION A-A

PART NO.	QTY	DESCRIPTION	ITEM
124079	1	EXTENSION, COLLET	6
124198	1	LOCATER	5
126216	1	JAW, UNITIZED, -10 FLOORITE	4
118910	1	COLLET, -10 MB	3
118907-1	1	HOLDER, ANVIL	2
130124	1	ANVIL, INSERT, -10 MAGNABULB	1

IDENTIFICATION PER SPEC 42-311: ★ PERMANENT		HUCK INTERNATIONAL, INC., I.S.D 1 CORPORATE DR KINGSTON, NEW YORK 12401	
ITAR/ECCN: EAR99		NOSE ASSEMBLY -10 FLOOR FASTENER	
SCH B#: 8467.99.0190		FINAL ASSY: -	
DRW: CHR	CHK:	DATE: 05/20/05	SCALE: 2:1
HTS: 8467.99.0190		<b>B</b>	<b>99-3452</b>

FORM KE104 Rev F

By accepting this proprietary Huck drawing, recipient agrees not to reproduce or disclose any part thereof to any other without the written permission of Huck International, Inc.

**Contact Applifast**

Tel 204 837 8361 • 1 800 563 1293  
 info@applifast.com



[applifast.com](http://applifast.com)