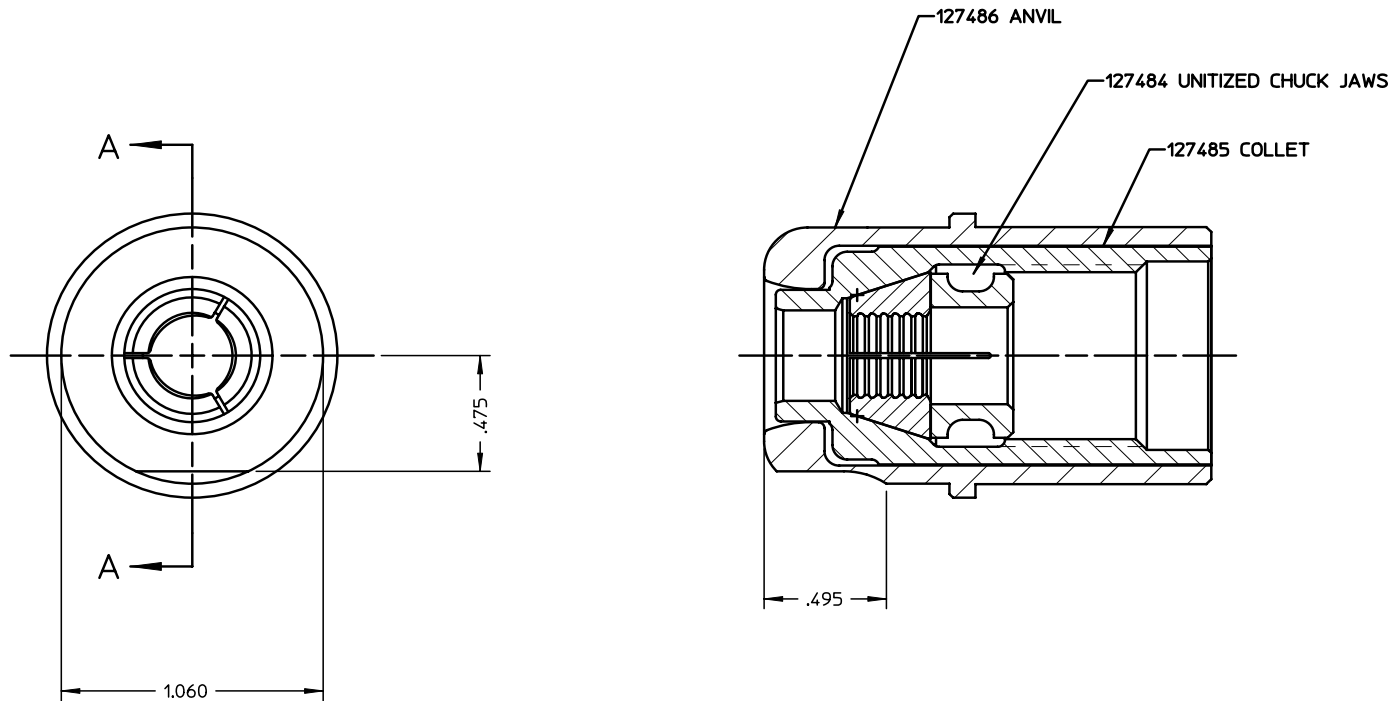


REV	DESCRIPTION	DATE
B	UPDATED DRAWING PICTORALLY	06/27/05



HUCK INTERNATIONAL, INC., I.S.D. 1 CORPORATE DRIVE, P.O. BOX 2270 KINGSTON, NEW YORK 12401			
NOSE ASSEMBLY -12 C-120			
DET: CHR	CK:	DATE: 06/27/05	SCALE: 2/1
FOC.	B	99-3401	
FAC.			

Contact Applifast

Tel 204 837 8361 • 1 800 563 1293
info@applifast.com



applifast.com