

NOTES:

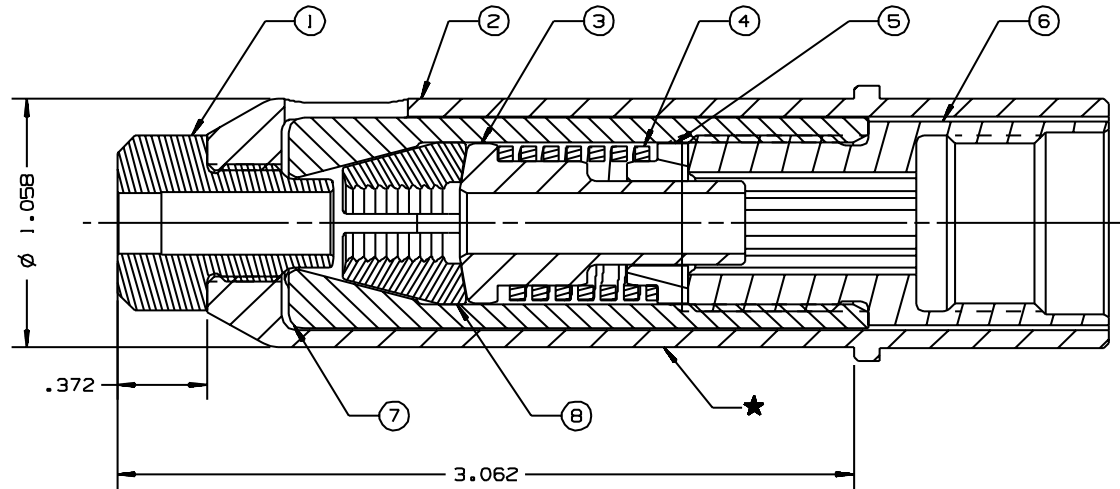
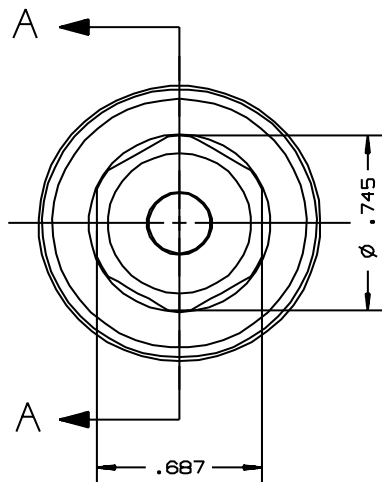
1 THE FOLLOWING STEEL DEFLECTORS ARE
OPTIONALLY AVAILABLE:

FOR USE WITH 246 TOOL, USE 123634-246.

FOR USE WITH 2502/2503 TOOL USE 123634-2503.

FOR USE WITH 2580 TOOL USE 123634-2580.

REV	DESCRIPTION	DATE
D	MODELED IN UG	08/17/06



SECTION A - A

125577	1	CHUCK JAWS	8
118953	1	COLLET	7
123881	1	COLLET EXTENSION	6
118957	1	CAP	5
125411	1	SPRING	4
118956	1	FOLLOWER	3
118952	1	ANVIL HOLDER	2
118954	1	ANVIL INSERT	1
PART NO.	QTY.	DESCRIPTION	ITEM

HUCK INTERNATIONAL, INC. I.S.D.			
1 CORPORATE DR., P.O. BOX 2270			
KINGSTON, NEW YORK 12401			
NOSE ASSEMBLY			
-12 MGL			
DET: JLK	CHK:	DATE: 06/18/03	SCALE: 2:1
FOC.	B	99-3318	
FAC.			

FORM KE104 Rev C

By accepting this proprietary Huck drawing, recipient agrees not to reproduce or disclose any part thereof to any other without the written permission of Huck International, Inc.

Contact Applifast

Tel 204 837 8361 • 1 800 563 1293
info@applifast.com



applifast.com