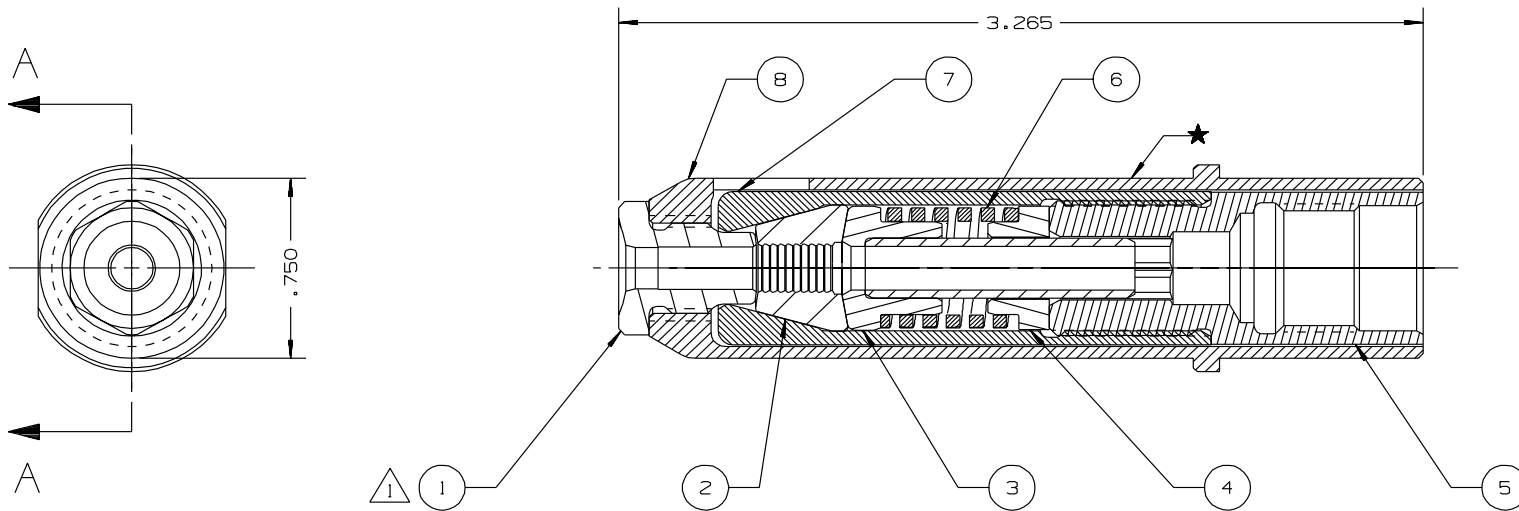


REV	DESCRIPTION	DATE
G	124729 REPLACED BY 128347	12/05/06



SECTION A - A

116910	1	ANVIL HOLDER	8
116909	1	COLLET	7
123877	1	SPRING	6
124360	1	EXTENSION	5
116912	1	CAP	4
116911	1	FOLLOWER	3
128347	1	CHUCK JAWS	2
116907	1	ANVIL INSERT	1
PART NO.	QTY	DESCRIPTION	ITEM

NOTES:

1. FLAT FACE INSERT, FOR COUNTERSUNK PRODUCTS, OPTIONALLY AVAILABLE, PART# 117842
2. IDENTIFICATION PER SPEC 42-311: ETCH

HUCK INTERNATIONAL, INC., U.S.D. 1 CORPORATE DR., P.O. BOX 2270 KINGSTON, NEW YORK 12401			
NOSE ASSEMBLY -08 MGL SELF-RELEASING - 2480, 212			
DET: NDG	OK:	DATE: 05/30/91	SCALE: 2:1
FOC. FAC.	B	99-3305	

Contact Applifast

Tel 204 837 8361 • 1 800 563 1293
info@applifast.com



applifast.com