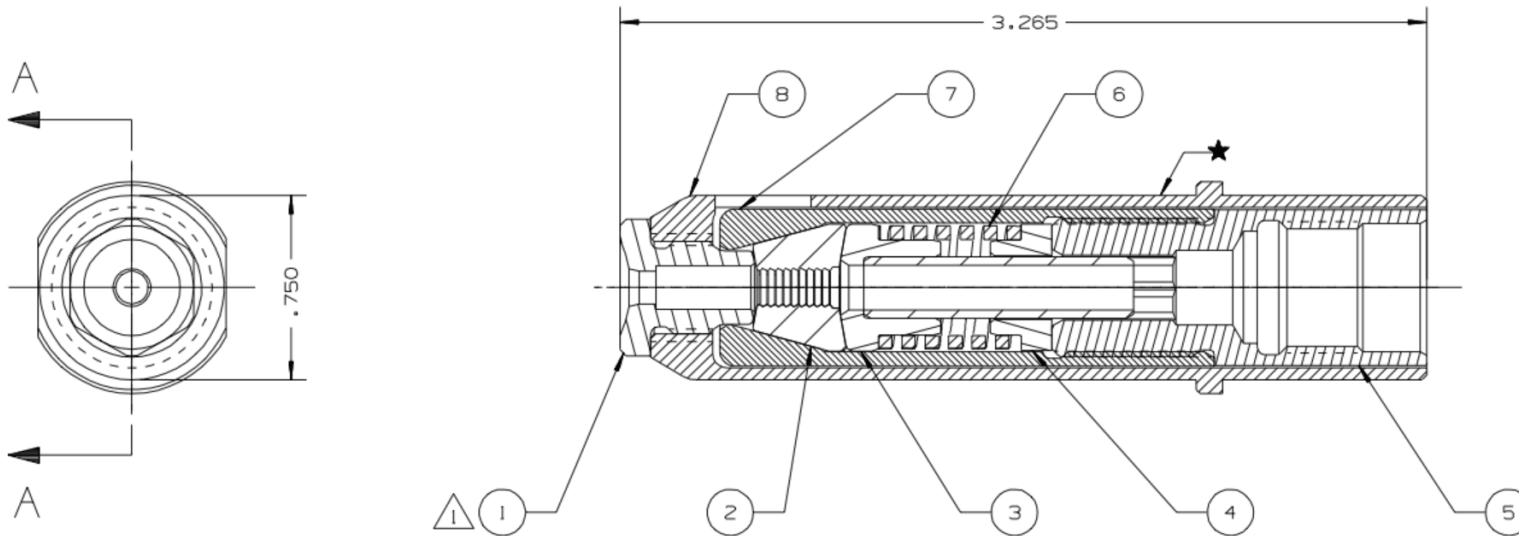


REV	DESCRIPTION	DATE
H	124728 REPLACED BY 128346	12/06/06



SECTION A-A

116910	1	ANVIL HOLDER	8
116909	1	COLLET	7
123877	1	SPRING	6
124360	1	EXTENSION	5
116912	1	CAP	4
116911	1	FOLLOWER	3
128346	1	CHUCK JAWS	2
117564	1	ANVIL INSERT	1
PART NO.	QTY	DESCRIPTION	ITEM

NOTES:

1. FLAT FACE INSERT, FOR COUNTERSUNK PRODUCTS, OPTIONALLY AVAILABLE, PART# 117841
2. IDENTIFICATION PER SPEC 42-311: ETCH

HUCK INTERNATIONAL, INC., I.S.D. 1 CORPORATE DR., P.O. BOX 2270 KINGSTON, NEW YORK 12401			
NOSE ASSEMBLY -.06 MGL STANDARD SELF RELEASING - 2480, 202			
DET: NDG	OK:	DATE: 5/30/91	SCALE: 2:1
FOC. FAC.	B	99-3303	

**Contact Applifast**

Tel 204 837 8361 • 1 800 563 1293  
info@applifast.com



[applifast.com](http://applifast.com)