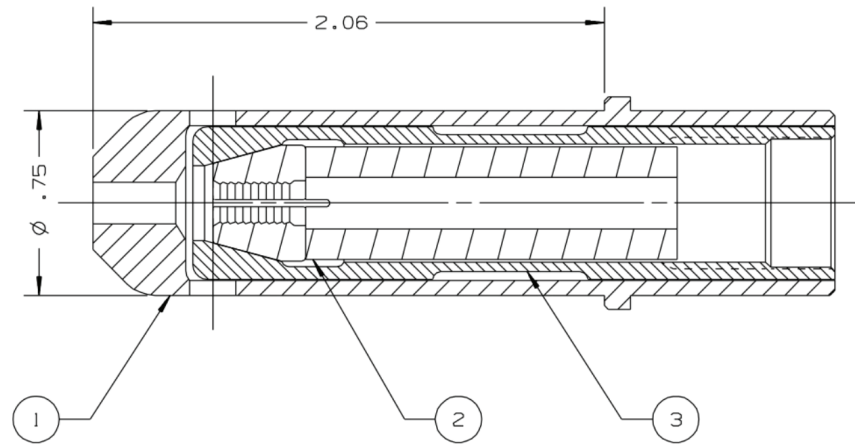
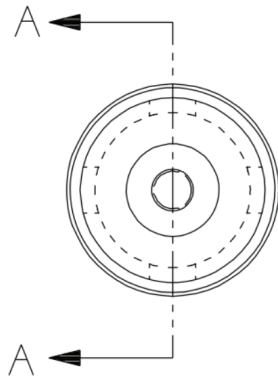


REV	DESCRIPTION	DATE
C	MODELED IN UG	5/31/06



SECTION A - A

PART NO.	QTY	DISCRIPTION	ITEM
118909	1	COLLET	3
118904	1	UNITIZED CHUCK JAWS	2
118906	1	ANVIL	1

HUCK INTERNATIONAL, INC., I.S.D.  
 1 CORPORATE DR., P.O. BOX 2270  
 KINGSTON, NEW YORK 12401

NOSE ASSEMBLY -08 MGL  
 NONE-SELF-RELEASING - 210,212,230,2480

DET: MJK OK: DATE: 5/23/90 SCALE: 2:1

FOC. FAC. B 99-3301

FORM KE104 Rev C

By accepting this proprietary Huck drawing, recipient agrees not to reproduce or disclose any part thereof to any other without the written permission of Huck International, Inc.

**Contact Applifast**

Tel 204 837 8361 • 1 800 563 1293  
 info@applifast.com



[applifast.com](http://applifast.com)