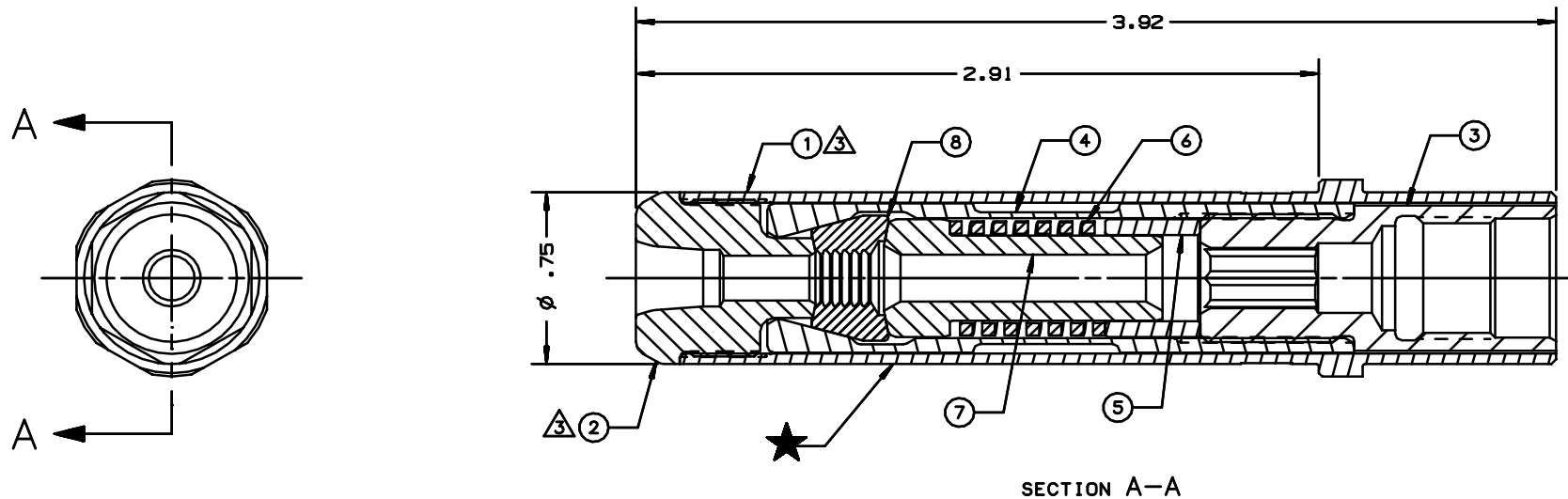


REV	DESCRIPTION	DATE
J	P/N 123877 WAS 125851	4/27/06



NOTES:

- 1 ETCH PER HUCK SPEC 42-311 ★
- 2 FOR USE WITH 244 STYLE TOOLS.

△ ANVIL HOLDER ASSEMBLY 121371 CONSISTS OF:
 121370 ANVIL HOLDER, ITEM 1 (NOT AVAILABLE SEPARATELY)
 121368 ANVIL INSERT, ITEM 2 (NOT AVAILABLE SEPARATELY)

	122595	1	CHUCK JAW SET	8
	127559	1	FOLLOWER	7
J	123877	1	COMPRESSION SPRING	6
	121366	1	SLEEVE	5
	122867	1	COLLET	4
	124360	1	EXTENSION	3
	121368	1	ANVIL INSERT	2
	121370	1	ANVIL HOLDER	1
PART NO	QTY	DESCRIPTION	ITEM	

HUCK INTERNATIONAL, INC. I.S.D. 1 CORPORATE DR., P.O. BOX 2270 KINGSTON, NEW YORK 12401			
NOSE ASSEMBLY -06 MG SELF-RELEASING			
DESY: MVM	CHK:	DATE: 10/24/90	SCALE: 2:1
FOC. FAC.	B	99-3213	

Contact Applifast

Tel 204 837 8361 • 1 800 563 1293
 info@applifast.com



applifast.com