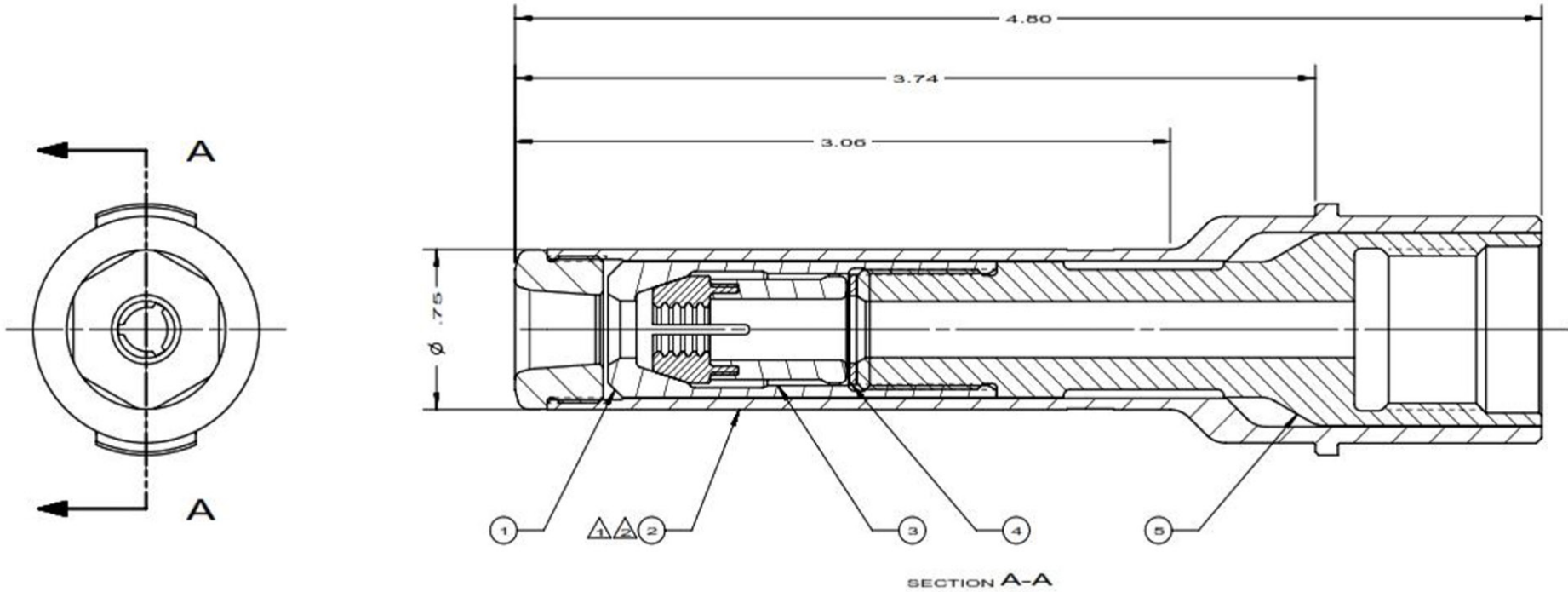


REV	DESCRIPTION	DATE
G	MODELED IN UG	07/19/06



NOTES:

▲ ANVIL ASSY. 120639 CONSISTS OF:
 (1) 120718 ANVIL HOLDER AND
 (1) 120625 ANVIL INSERT
 BOTH ARE AVAILABLE INDIVIDUALLY.

▲ ANVIL INSERT WRENCH 125400 IS
 OPTIONALLY AVAILABLE.

126110	1	EXTENSION	5
127776	1	SPACER	4
127330	1	UNITIZED CHUCK JAWS	3
120639	1	ANVIL ASSEMBLY	2
124604	1	COLLET	1
PART NO.	QTY.	DESCRIPTION	ITEM

HUCK INTERNATIONAL, INC., I.S.D.
 1 CORPORATE DR., P.O. BOX 2270
 KINGSTON, NEW YORK 12401

NOSE ASSEMBLY
 -05 MG

DES. JLK DR. DATE 05/05/05 SCALE 2:1

FOC. B 99-3207
 FAC.

Contact Applifast

Tel 204 837 8361 • 1 800 563 1293
 info@applifast.com



applifast.com