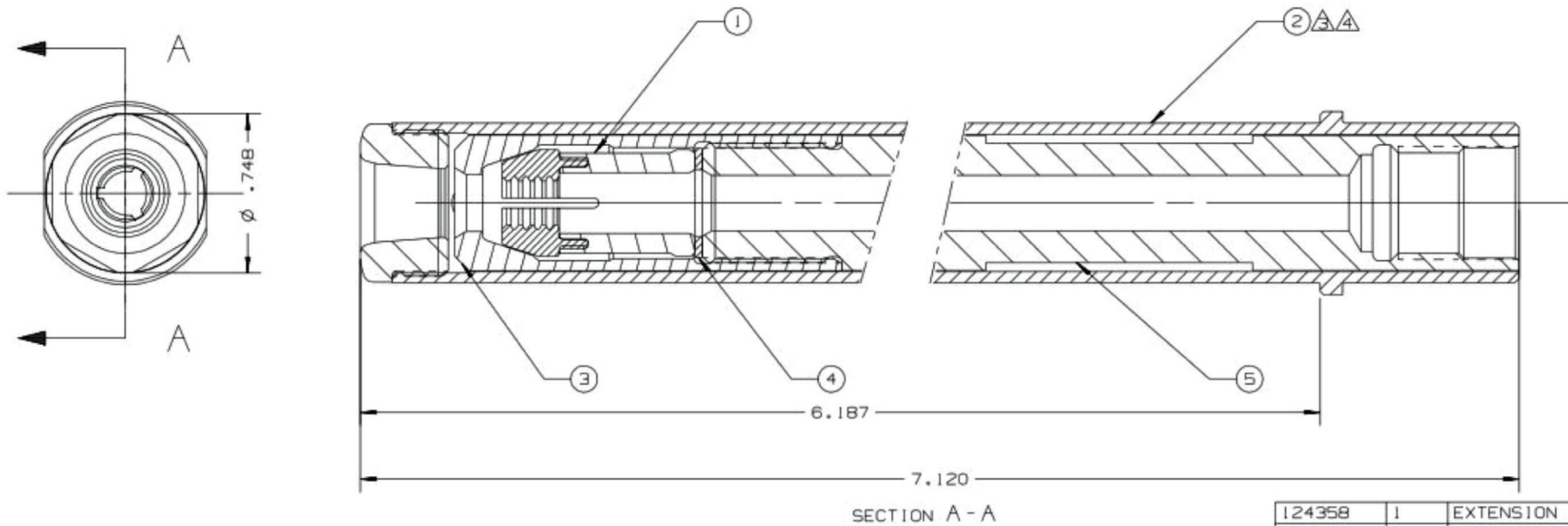


REV	DESCRIPTION	DATE
J	MODELED IN UG	07/27/06

NOTES:

- 1 SHIP WITH O-RING P/N 50077B
- 2 BEFORE ATTACHING NOSE ASSEM TO TOOL, INSTALL SUPPLIED O-RING ON TO THREAD RELIEF OF PULL PISTON
- ⚠ ANVIL ASSY 120649 CONSISTS OF:
 - (1) 120637 ANVIL HOLDER AND
 - (1) 120625 ANVIL INSERT
 - BOTH ARE AVAILABLE INDIVIDUALLY.
- ⚠ ANVIL INSERT WRENCH 125400 IS OPTIONALLY AVAILABLE.



124358	1	EXTENSION	5
127776	1	SPACER	4
124604	1	COLLET	3
120649	1	ANVIL ASSEMBLY	2
127330	1	UNITIZED CHUCK JAWS	1
PART NO.	QTY.	DESCRIPTION	ITEM

HUCK INTERNATIONAL, INC., I.S.D. 1 CORPORATE DR., P.O. BOX 2270 KINGSTON, NEW YORK 12401			
NOSE ASSEMBLY -08 MG			
DES: JLK	DR:	DATE: 05/05/05	SCALE: 2:1
FOC. FAC.	B	99-3205	

FORM KE104 Rev C

By accepting this proprietary Huck drawing, recipient agrees not to reproduce or disclose any part thereof to any other without the written permission of Huck International, Inc.

Contact Applifast

Tel 204 837 8361 • 1 800 563 1293
info@applifast.com



applifast.com