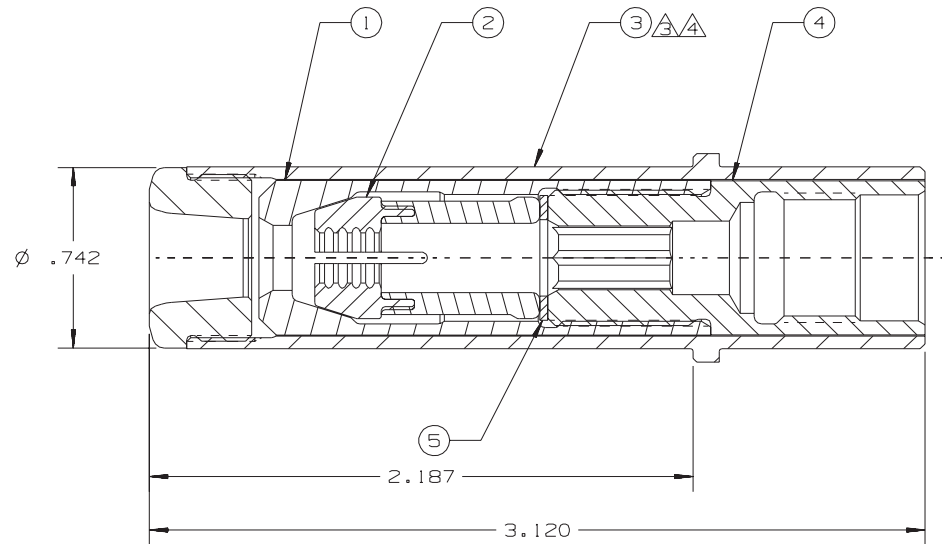
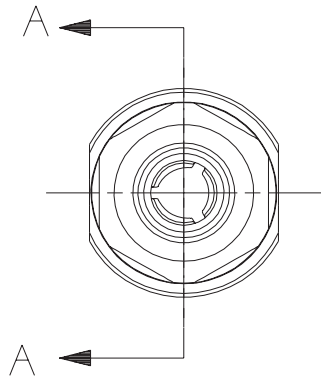


REV	DESCRIPTION	DATE
J	MODELED IN UG	07/17/06

NOTES:

- 1 SHIP WITH O-RING P/N 500778
- 2 BEFORE ATTACHING NOSE ASSEMBLY TO TOOL, INSTALL SUPPLIED O-RING ON TO THREAD RELIEF OF PULL PISTON
- ⚠ ANVIL ASSEMBLY 120648 CONSISTS OF:
120636 ANVIL HOLDER AND
120625 ANVIL INSERT
BOTH ARE AVAILABLE INDIVIDUALLY.
- ⚠ ANVIL INSERT WRENCH 125400 IS OPTIONALLY AVAILABLE.



SECTION A - A

127776	1	SPACER	5
124360	1	EXTENSION	4
120648	1	ANVIL ASSEMBLY	3
127330	1	UNITIZED CHUCK JAWS	2
124604	1	COLLET	1
PART NO.	QTY.	DESCRIPTION	ITEM

HUCK INTERNATIONAL, INC., I.S.D.
1 CORPORATE DR., P.O. BOX 2270
KINGSTON, NEW YORK 12401

NOSE ASSEMBLY
-08 MG

DET: JLK | CHK: | DATE: 05/05/05 | SCALE: 2:1

FOC. FAC. | B | 99-3204

Contact Applifast

Tel 204 837 8361 • 1 800 563 1293
info@applifast.com



applifast.com