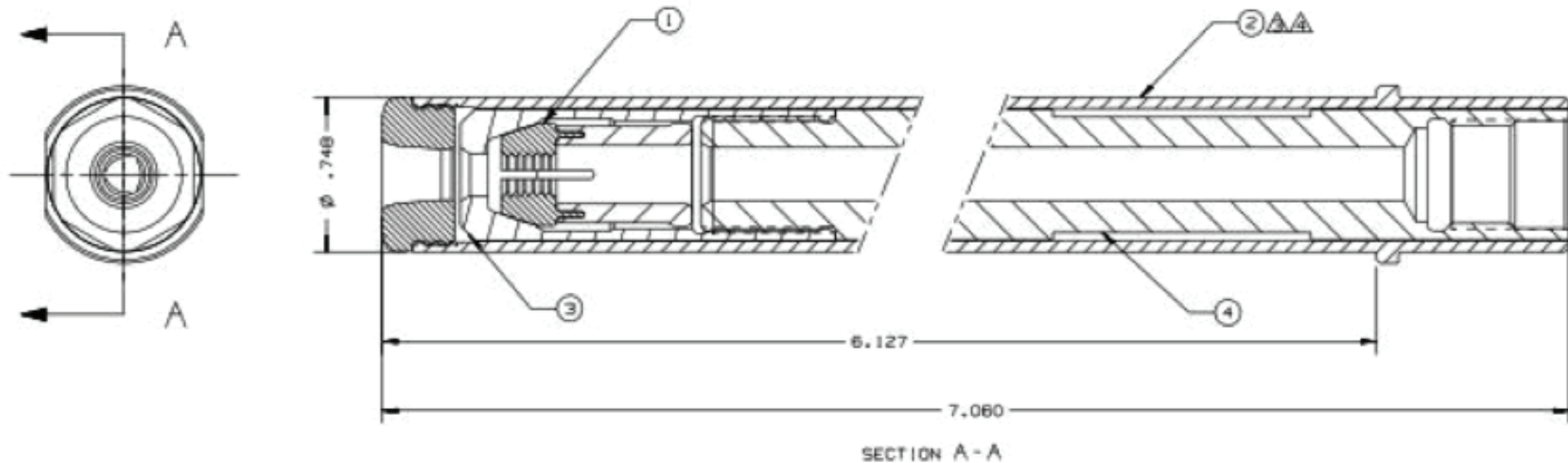


REV	DESCRIPTION	DATE
H	MODELED IN US	07/31/06

NOTES:

- 1 SHIP WITH O-RING P/N 500778
- 2 BEFORE ATTACHING NOSE ASSEMBLY TO TOOL, INSTALL SUPPLIED O-RING ON TO THREAD RELIEF OF PULL PISTON.
- ⚠ ANVIL ASSEMBLY 120643 CONSISTS OF:  
120634 ANVIL HOLDER AND  
120624 ANVIL INSERT  
BOTH ARE INDIVIDUALLY.
- ⚠ ANVIL INSERT WRENCH 125400 IS OPTIONALLY AVAILABLE.



124358	1	EXTENSION	4
115826	1	COLLET	3
1206432	1	ANVIL ASSEMBLY	2
127331	1	UNITIZED CHUCK JAWS	1
PART NO.	QTY	DESCRIPTION	ITEM

HUCK INTERNATIONAL, INC., U.S.O.		
1 CORPORATE DR., P.O. BOX 2270		
KINGSTON, NEW YORK 12401		
NOSE ASSEMBLY		
-06 ME		
DES. JUK	DATE 07/01/04	SCALE 2:1
FAC.	B	99-3202

## Contact Applifast

Tel 204 837 8361 • 1 800 563 1293  
info@applifast.com



[applifast.com](http://applifast.com)