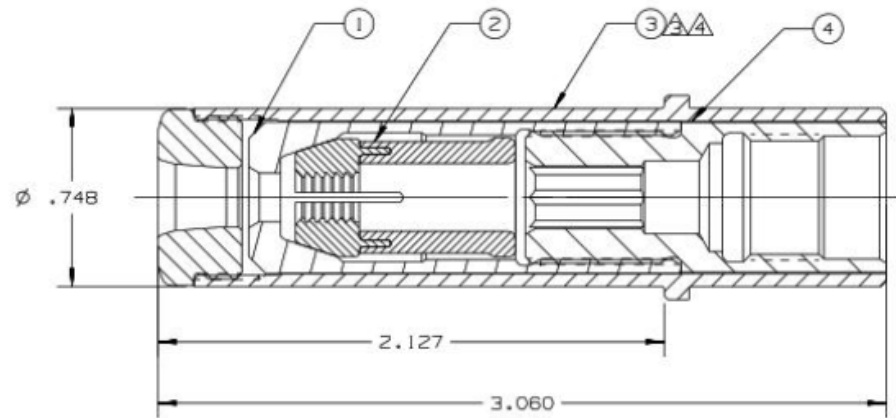
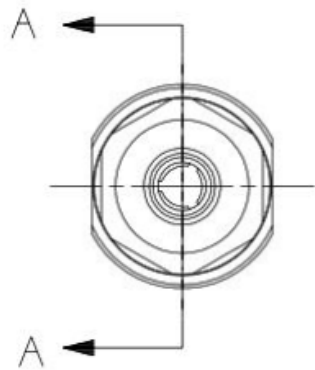


NOTES:

- 1 SHIP WITH O-RING 500778.
- 2 BEFORE ATTACHING NOSE ASSEMBLY TO TOOL, INSTALL SUPPLIED O-RING ON TO THREAD OF PULL PISTON.
- ⚠ ANVIL ASSMBLY 120642 CONSISTS OF:
120633 ANVIL HOLDER AND
120624 ANVIL INSERT
BOTH ARE AVAILABLE INDIVIDUALLY.
- ⚠ ANVIL INSERT WRENCH 125400 IS OPTIONALLY AVAILABLE.

REV	DESCRIPTION	DATE
G	MODELED IN UG	08/03/06



SECTION A - A

124360	1	EXTENSION	4
120642	1	ANVIL ASSEMBLY	3
127331	1	UNITIZED CHUCK JAWS	2
115826	1	COLLET	1
PART NO.	QTY.	DESCRIPTION	ITEM

HUCK INTERNATIONAL, INC. I.S.D.
1 CORPORATE DR., P.O. BOX 2270
KINGSTON, NEW YORK 12401

NOSE ASSEMBLY
-06 MG

DES: JLK	CHK:	DATE: 07/19/89	SCALE: 2:1
FOC. FAC.	B	99-3201	

FORM 46104 Rev C

By accepting this proprietary Huck drawing, recipient agrees not to reproduce or disclose any part thereof to any other without the written permission of Huck International, Inc.

Contact Applifast

Tel 204 837 8361 • 1 800 563 1293
info@applifast.com



applifast.com