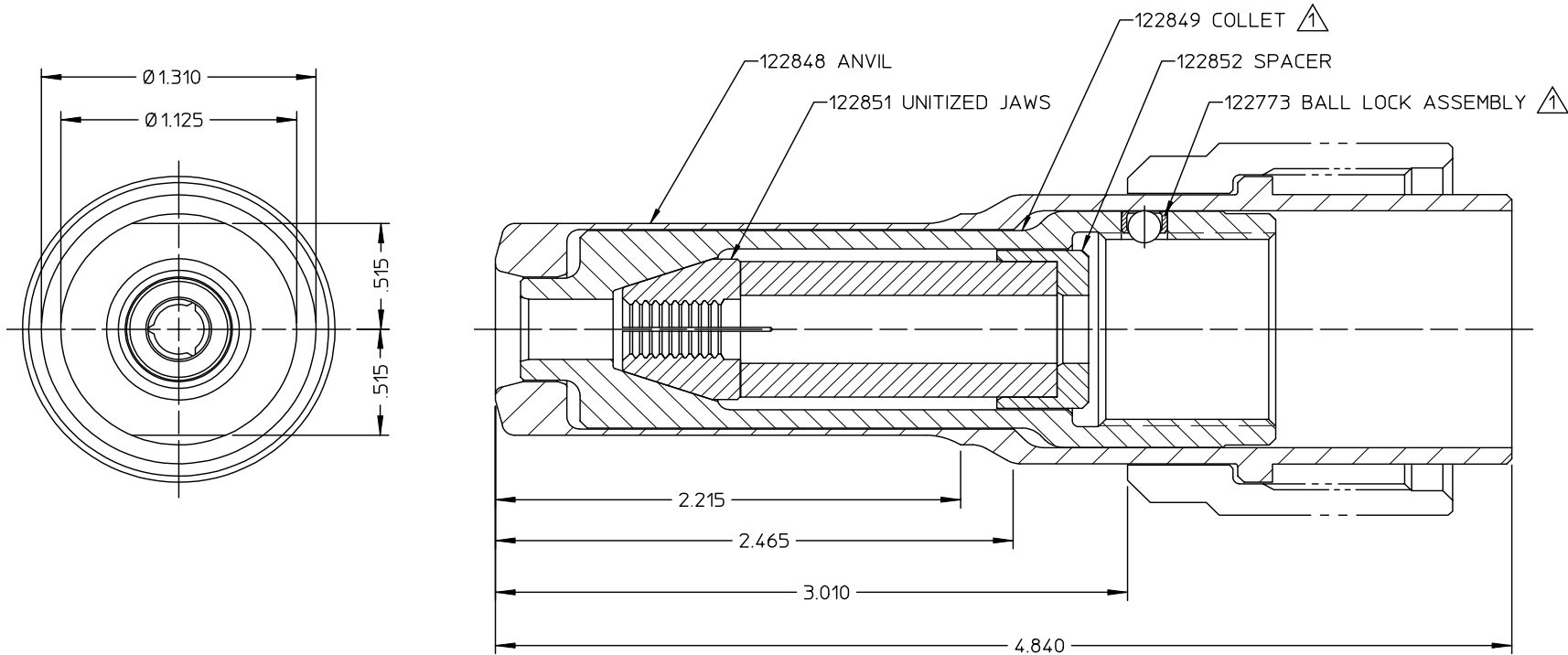




DATA SHEET



99-3122 Part Number	Alcoa Fastening Systems Commercial Products 1 Corporate Drive, Kingston, NY 12401	
	TYPE:	NON-Self-RELEASING
	FASTENER:	-12 BOM
	TOOL(S):	2600
	Notes:	Product Revision: B
US Patent:	Date: 07/09/03	

NOTES:

- ① COLLET AND LOCK ASSEMBLY P/N 122850 CONSISTS OF:
COLLET P/N 122849
BALL LOCK ASSEMBLY P/N 122773
NOT AVAILABLE SEPARATELY.
- 2 STEEL DEFLECTOR: 123634-2600 IS OPTIONALLY AVAILABLE.

Contact Applifast

Tel 204 837 8361 • 1 800 563 1293
info@applifast.com



applifast.com