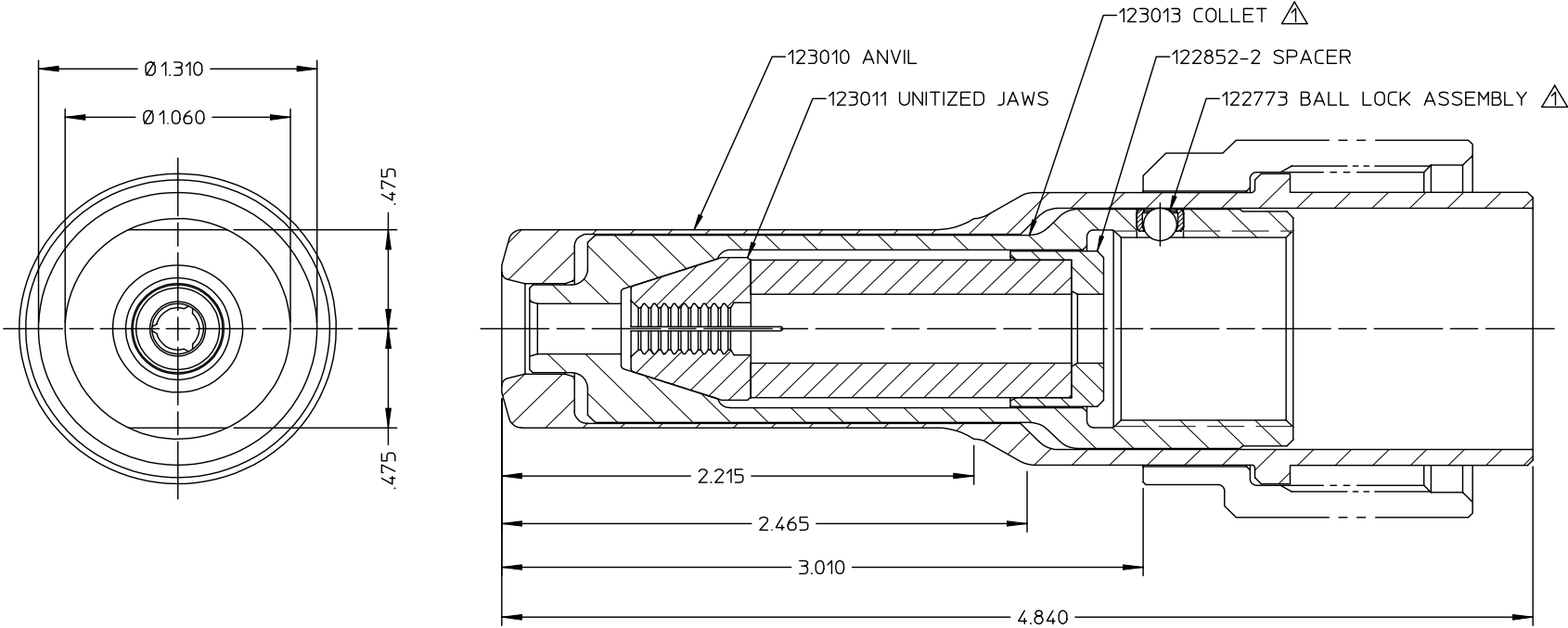


Alcoa Fastening Systems
ALCOA

DATA SHEET



99-3119 Part Number	Alcoa Fastening Systems Commercial Products 1 Corporate Drive, Kingston, NY 12401	
	TYPE:	NON-Self-RELEASING
	FASTENER:	-10 BOM
	TOOL(S):	2600
	Notes:	Product Revision: B
US Patent:	Date: 07/09/03	

NOTES:

- △ COLLET AND LOCK ASSEMBLY P/N 123012 CONSISTS OF:
COLLET P/N 123013
BALL LOCK ASSEMBLY P/N 122773
NOT AVAILABLE SEPARATELY.
- 2 STEEL DEFLECTOR: 126634-2600 IS OPTIONALLY AVAILABLE.

Contact Applifast

Tel 204 837 8361 • 1 800 563 1293
info@applifast.com



applifast.com