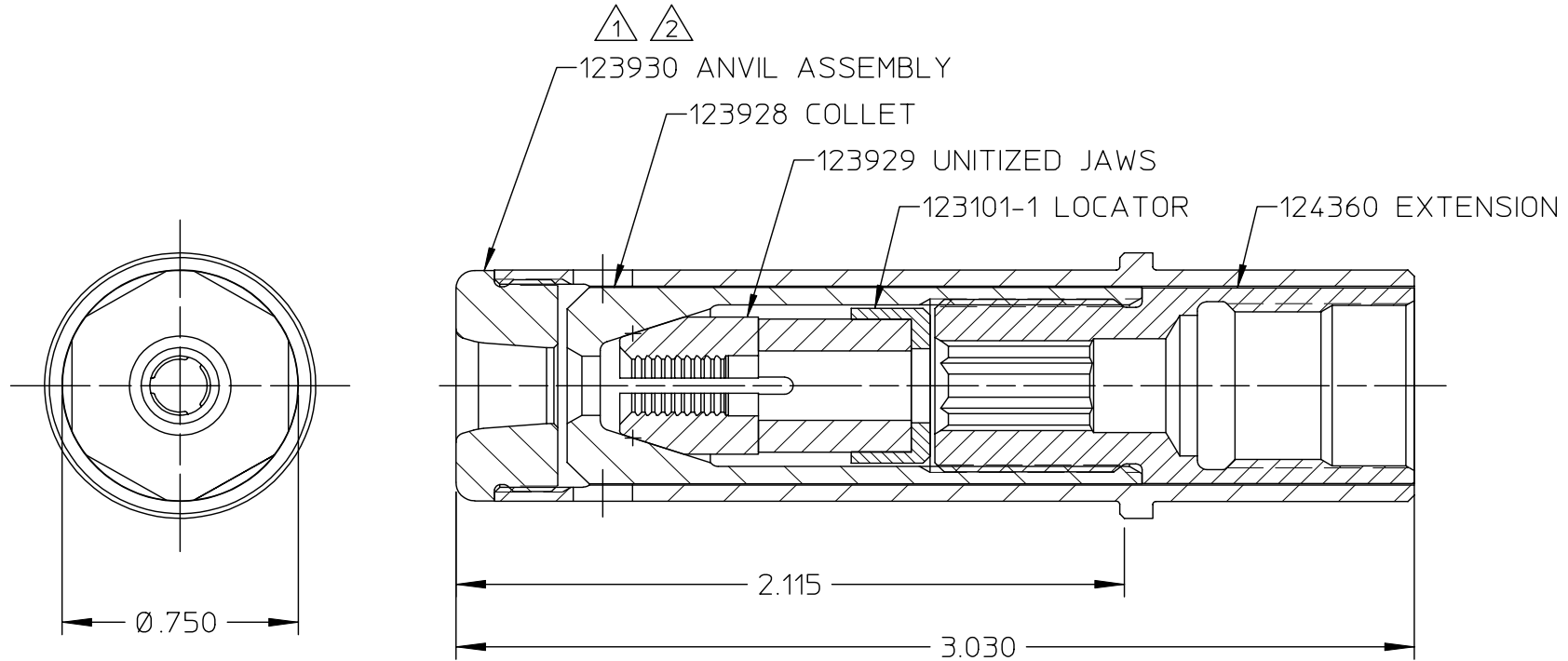




DATA SHEET



99-3003 Part Number	Alcoa Fastening Systems Commercial Products 1 Corporate Drive, Kingston, NY 12401	
	TYPE:	NON-SELF-RELEASING
	FASTENER:	-06 C6L
	TOOL(S):	202, 212, 230, 2400
	Notes:	Product Revision: C
US Patent:	Date: 07/09/03	

NOTES:

- △1 ANVIL ASSY 123930 CONSISTS OF:
(1) 120633-1 ANVIL HOLDER AND
(1) 120624 ANVIL INSERT
BOTH ARE AVAILABLE INDIVIDUALLY.
- △2 ANVIL INSERT WRENCH 125400 IS
OPTIONALLY AVAILABLE.

Contact Applifast

Tel 204 837 8361 • 1 800 563 1293
info@applifast.com



applifast.com