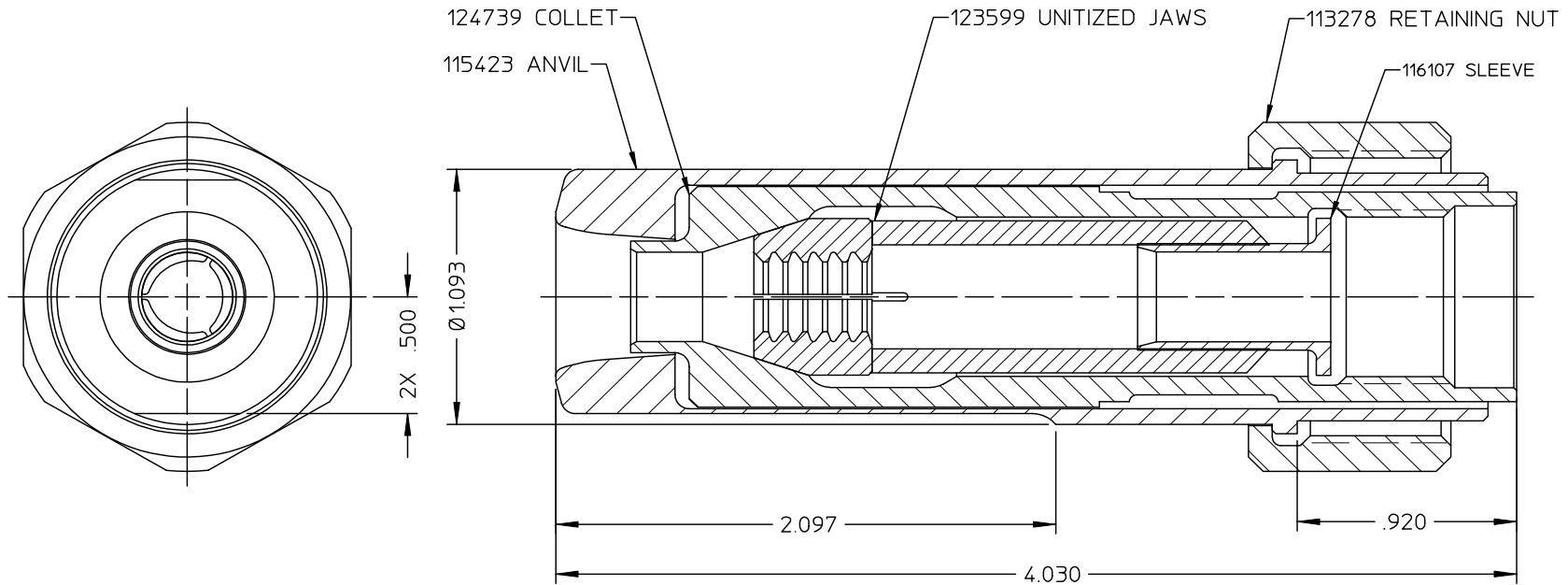


Alcoa Fastening Systems
ALCOA

DATA SHEET



99-1440 Part Number	Alcoa Fastening Systems Commercial Products 1 Corporate Drive, Kingston, NY 12401	
	TYPE:	NON-SELF-RELEASING
	FASTENER:	-12 MG
	TOOL(S):	246
	Notes:	Product Revision: G
US Patent:	Date: 07/24/03	

Contact Applifast

Tel 204 837 8361 • 1 800 563 1293
info@applifast.com



applifast.com