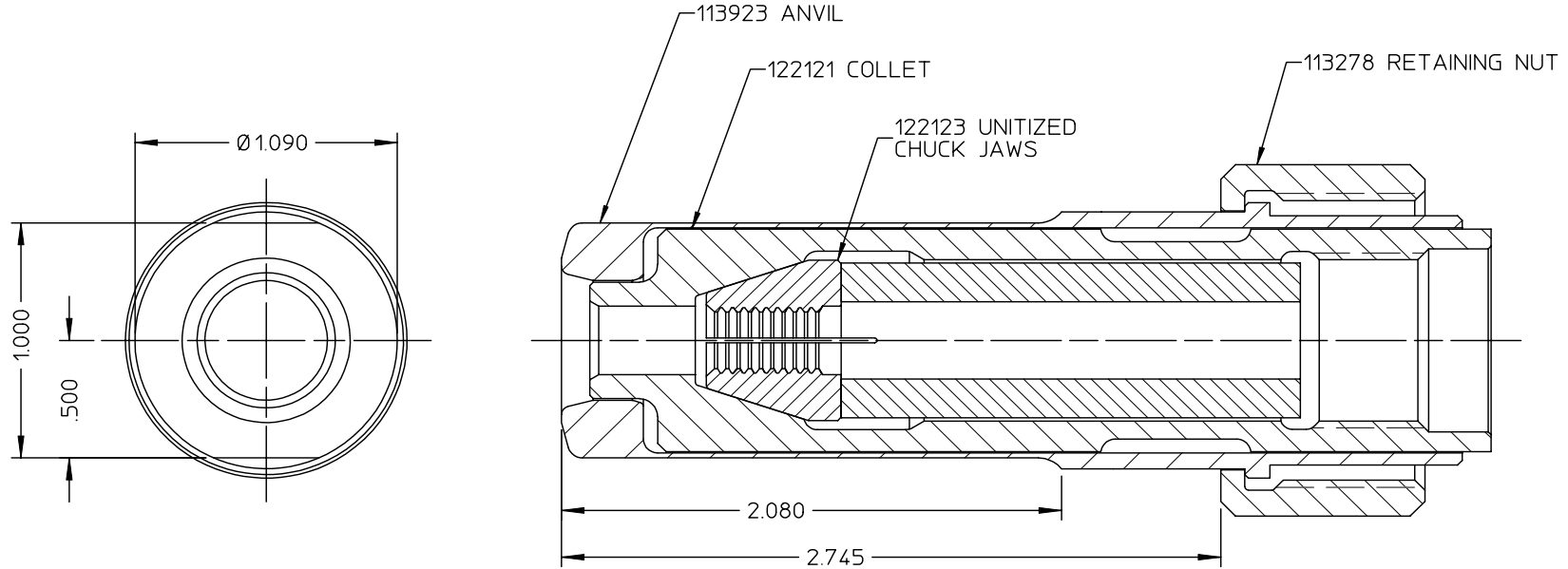


Alcoa Fastening Systems


DATA SHEET



99-1272	Alcoa Fastening Systems Commercial Products 1 Corporate Drive, Kingston, NY 12401	
	NOSE TYPE:	NON-SELF-RELEASING
	FASTENER TYPE:	-12 BOM
	TOOL(S):	246
	Notes:	Product Revision: D
	US Patent:	Date: 06/18/03

NOTE:

1. THE FOLLOWING STEEL DFLECTORS ARE OPTIONALLY AVAILABLE:
 FOR USE WITH 246 TOOL; USE 123634-246.
 FOR USE WITH 2502/2503 TOOL USE 123634-2503.
 FOR USE WITH 2580 TOOL USE 123634-2580.

Contact Applifast

Tel 204 837 8361 • 1 800 563 1293
 info@applifast.com



applifast.com