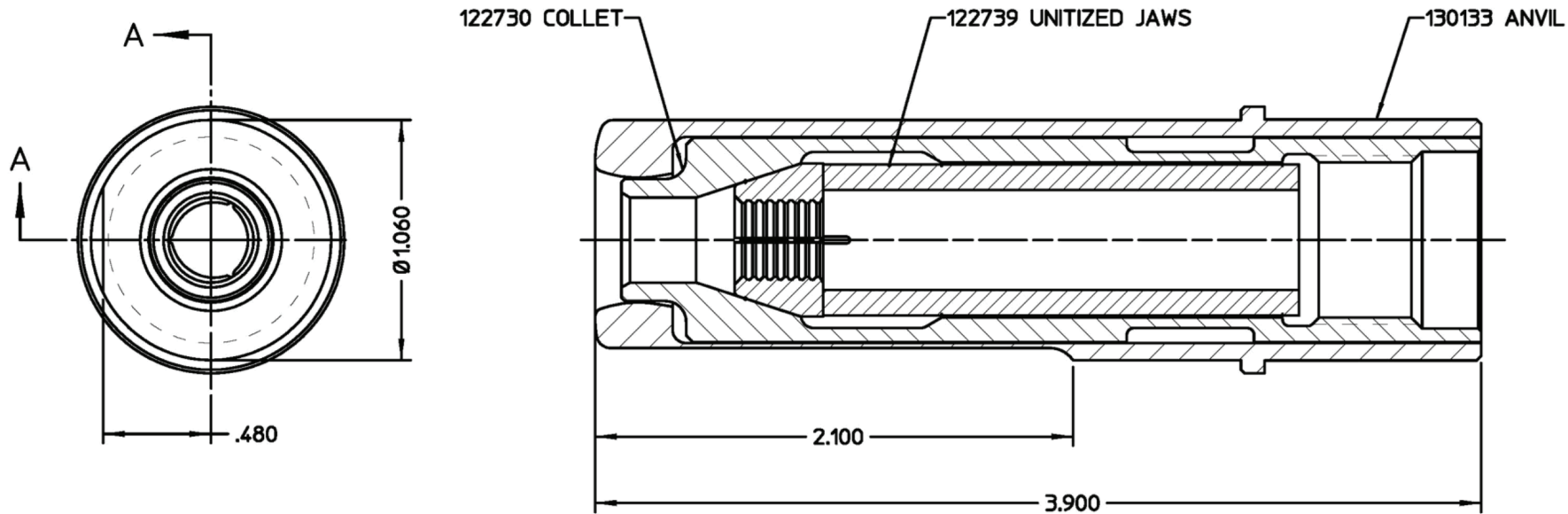


REV	DESCRIPTION	DATE
C	130133 ANVL WAS 103028 ANVL	05/22/12



SECTION A-A

FORM KE104 REV D		By accepting this proprietary Huck drawing, recipient agrees not to reproduce or disclose any part thereof to any others without the written permission of Huck International, Inc.		
ITAR:	ECCN: EAR99	SCH B#:	8467.99.0190	
MATERIAL:	SPEC:	TOLERANCES UNLESS OTHERWISE SPECIFIED:		HUCK INTERNATIONAL, INC., I.S.D.
HARDNESS:	RAW OR STOCKED STATE	ALL DIMENSIONS ARE IN INCHES		1 CORPORATE DRIVE, P.O. BOX 2270
HEAT TREAT TO:	SPEC:	.XX, .XXX ±	.01, .005	KINGSTON, NEW YORK 12401
SURFACE TREAT:	SPEC:	INT. COR. RADII	.005-.015	NOSE ASSEMBLY -12 C6L
SURFACE FINISH NOT TO EXCEED:	125 Ra	BREAK EDGES	.005-.015	NON SELF RELEASING
IDENTIFICATION PER SPEC 42-31:	★ PERMANENT	ANGLES ±	3°	DET: CHR CK: DATE: 05/22/12 SCALE: 1:1
SURFACES TO BE	☉, //, ♦, ⊥, & ▽ WITHIN .005 T.J.R.	FINAL ASSY:	B	99-100-245

## Contact Applifast

Tel 204 837 8361 • 1 800 563 1293  
 info@applifast.com



[applifast.com](http://applifast.com)