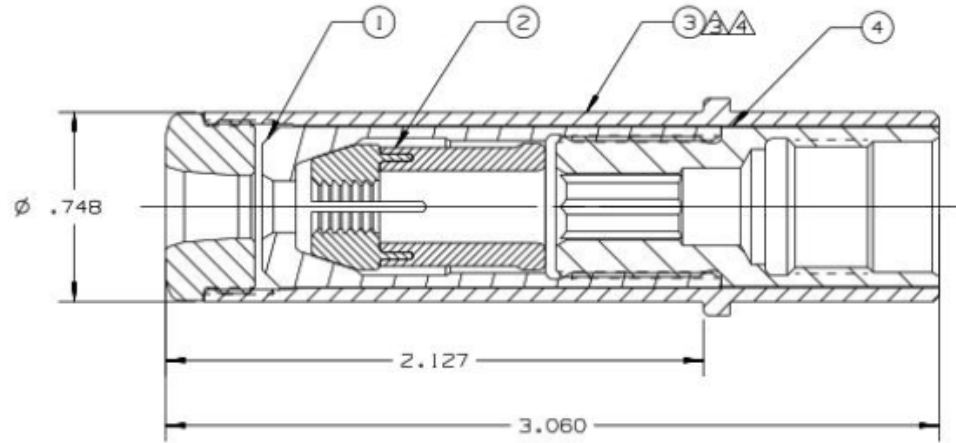
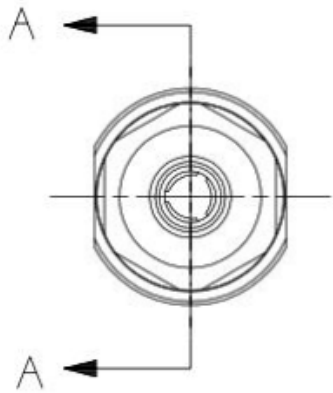


NOTES:

- 1 SHIP WITH O-RING 500778.
- 2 BEFORE ATTACHING NOSE ASSEMBLY TO TOOL, INSTALL SUPPLIED O-RING ON TO THREAD OF PULL PISTON.
- ⚠ ANVIL ASSEMBLY 120642 CONSISTS OF:  
120633 ANVIL HOLDER AND  
120624 ANVIL INSERT  
BOTH ARE AVAILABLE INDIVIDUALLY.
- ⚠ ANVIL INSERT WRENCH 125400 IS OPTIONALLY AVAILABLE.

REV	DESCRIPTION	DATE
G	MODELED IN UG	08/03/06



SECTION A - A

124360	1	EXTENSION	4
120642	1	ANVIL ASSEMBLY	3
127331	1	UNITIZED CHUCK JAWS	2
115826	1	COLLET	1
PART NO.	QTY.	DESCRIPTION	ITEM

HUCK INTERNATIONAL, INC., I.S.O.  
1 CORPORATE DR., P.O. BOX 2270  
KINGSTON, NEW YORK 12401

NOSE ASSEMBLY  
-06 MG

DES: JLK OK: DATE: 07/19/89 SCALE: 2:1

FOC. FAC. B 99-3201

## Contact Applifast

Tel 204 837 8361 • 1 800 563 1293  
info@applifast.com



[applifast.com](http://applifast.com)