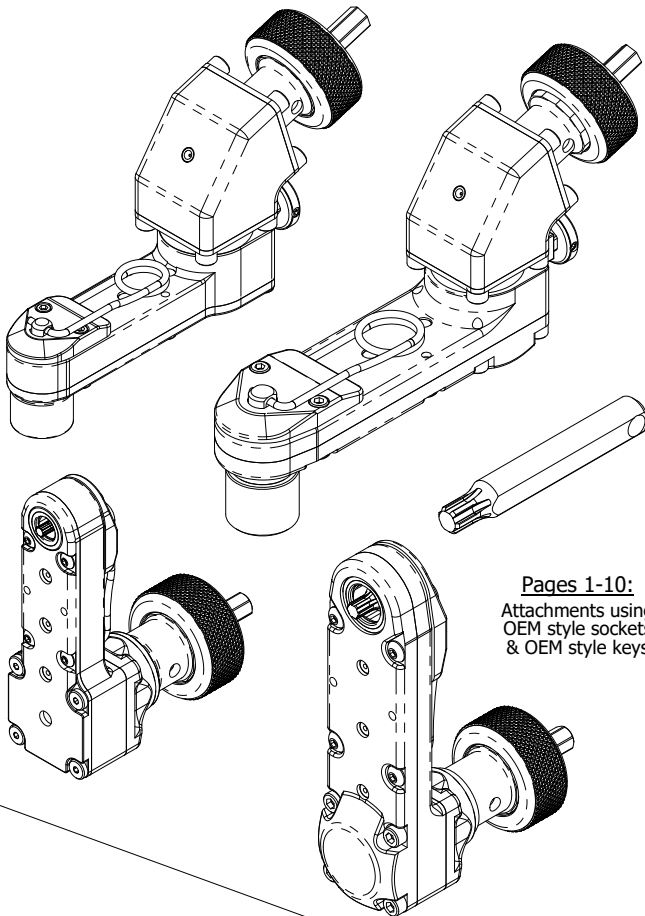
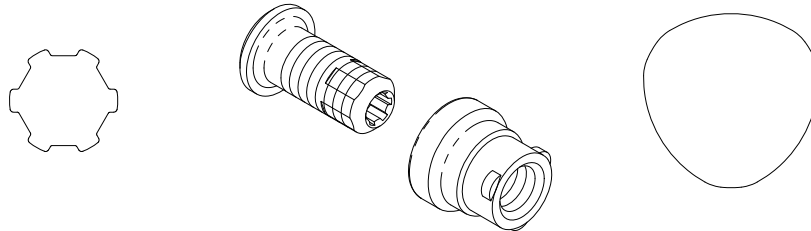


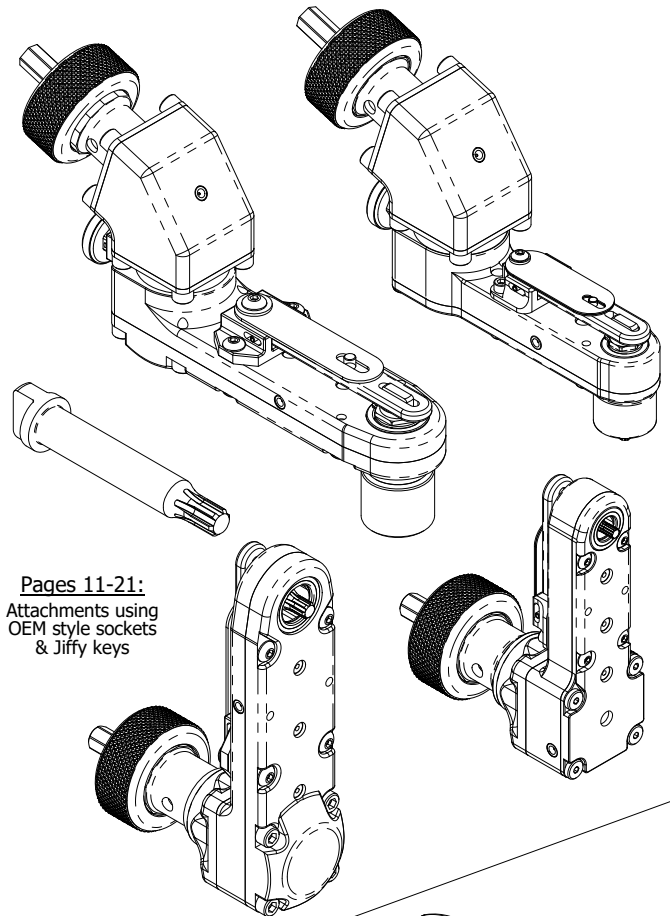


# JIFFY-BOLT

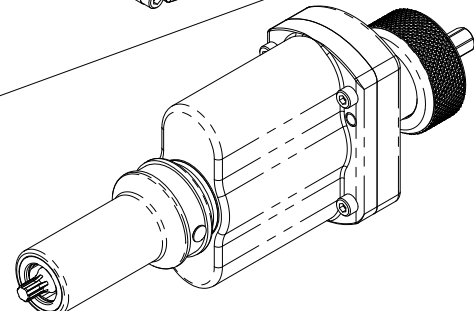
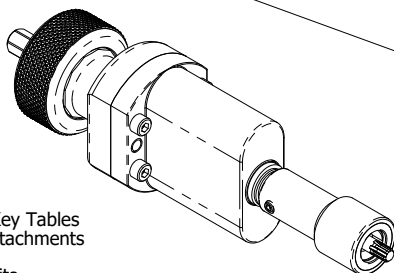
## EDDIE-BOLT® 2 COMPATIBLE TOOL CATALOG



**Pages 1-10:**  
Attachments using  
OEM style sockets  
& OEM style keys



**Pages 11-21:**  
Attachments using  
OEM style sockets  
& Jiffy keys



**Page Index:**

- 22-24: Socket & Key Tables
- 25-26: Straight Attachments
- 27-28: Motors
- 29-30: Removal Kits
- 31-34: OEM Crossover Tables
- 35: Safety
- 36: Notes

## 17° INDEXABLE SERIES 2



.366 inch / 9.3mm center to edge distance

ATTACHMENT:

**15358EB**

5 GEAR, INDEXABLE

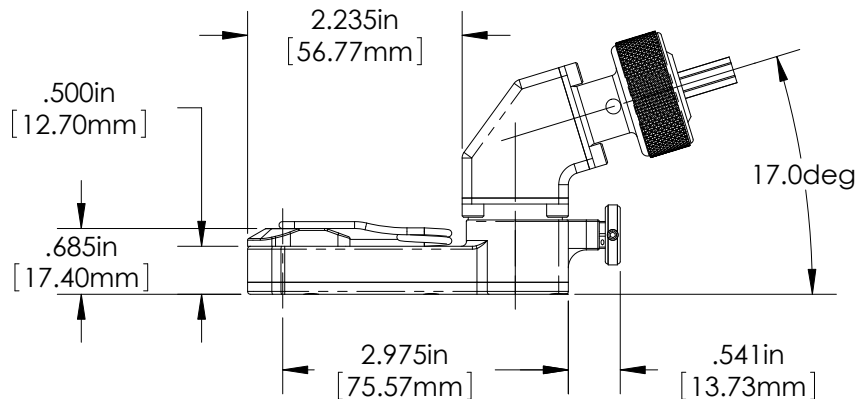
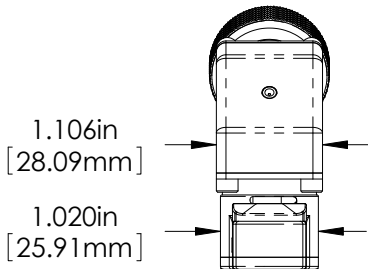
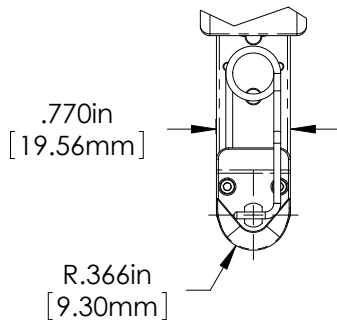
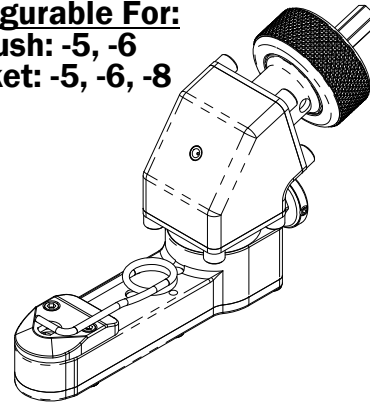
120 INCH-POUND MAX TORQUE

USES OEM STYLE SOCKETS & KEYS

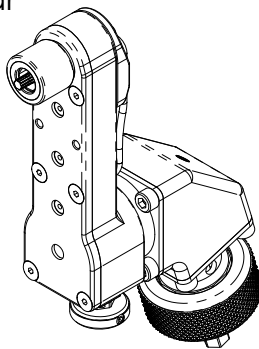
**Configurable For:**

**Flush: -5, -6**

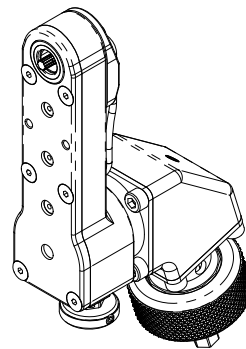
**Socket: -5, -6, -8**



### Nose Gear Selection



The SOCKET DRIVER nose gear will adapt the attachment to accept -5 to -8 sockets.



### FLUSH

The socket is built into the nose gear. Choose the Flush gear and Key from the table below.

*USES  
VINYL COVER  
25653*

PART NO.	SIZE	TYPE
24762	5/16	SOCKET DRIVER

SEE PAGE 22  
FOR SOCKETS & KEYS

PART NO.	SIZE	TYPE
24270	-5	FLUSH
23622	-6	FLUSH
OEM STYLE KEYS - FLUSH		
SPLINE KEY	-5	-6
PART NO.	24635	24640

OEM  
STYLE

## 17° INDEXABLE SERIES 3



.500 inch / 12.7mm center to edge distance

ATTACHMENT:

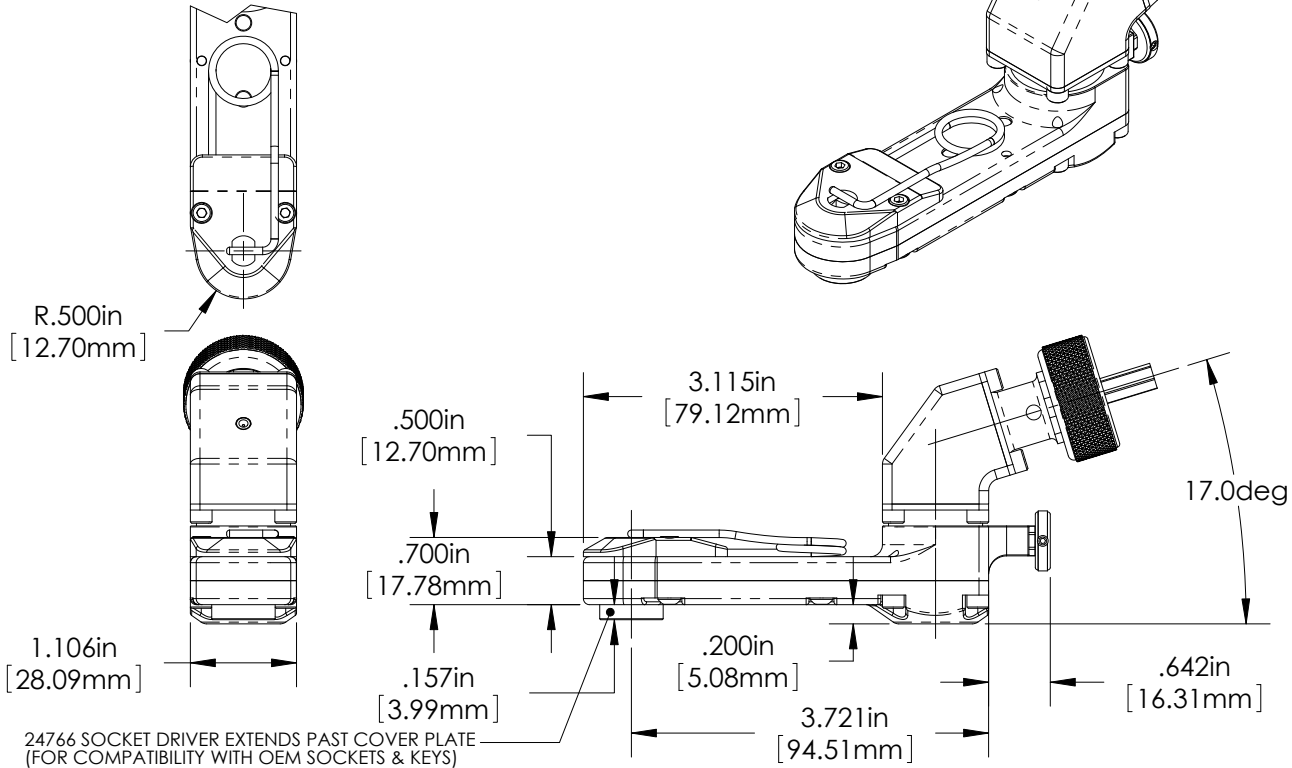
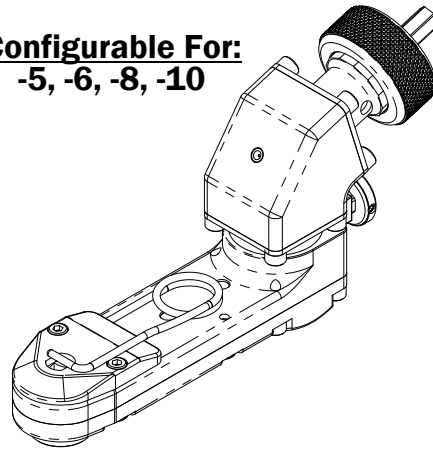
**19975EB**

5 GEAR, INDEXABLE

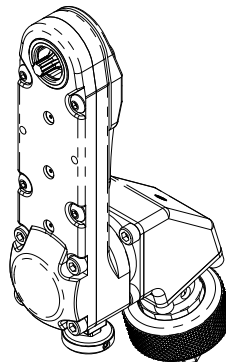
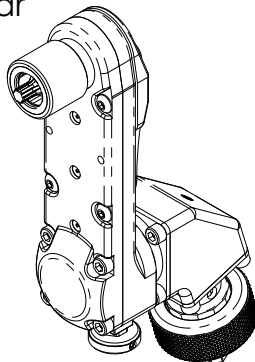
350 INCH-POUND MAX TORQUE

USES OEM STYLE SOCKETS & KEYS

**Configurable For:**  
-5, -6, -8, -10



### Nose Gear Selection



*USES  
VINYL COVER  
25657*

The SOCKET DRIVER nose gears will adapt the attachment to accept sockets. Use 5/16 for -5 to -8, & 7/16 for -10.

### FLUSH

The socket is built into the nose gear. Choose the Flush gear and Key from the table below.

PART NO.	SIZE	TYPE
24765	5/16	SOCKET DRIVER
24766	7/16	SOCKET DRIVER

SEE PAGE 23  
FOR SOCKETS & KEYS

PART NO.	SIZE	TYPE		
24271	-5	FLUSH		
23623	-6	FLUSH		
23638	-8	FLUSH		
24203	-10	FLUSH		
OEM STYLE KEYS - FLUSH				
SPLINE KEY	-5	-6	-8	-10
PART NO.	24635	24640	24645	27112

# 20° FIXED SERIES 4



.535 inch / 13.59mm center to edge distance

ATTACHMENT:

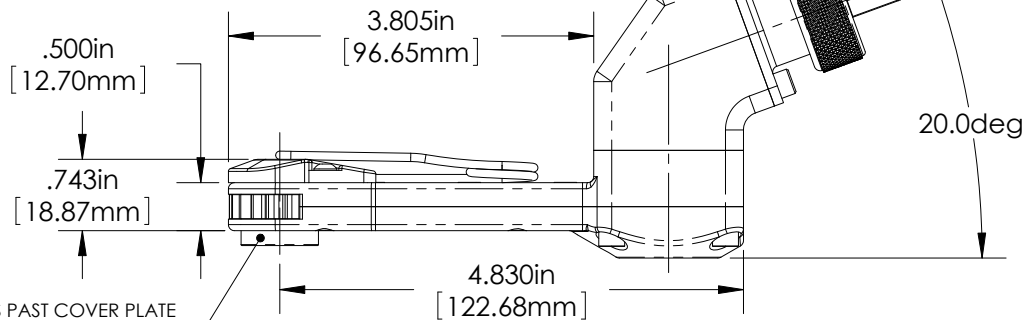
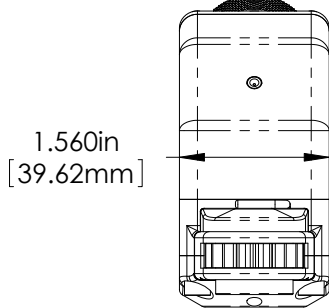
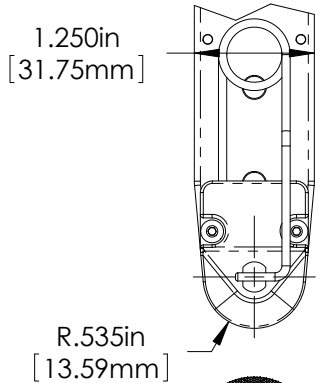
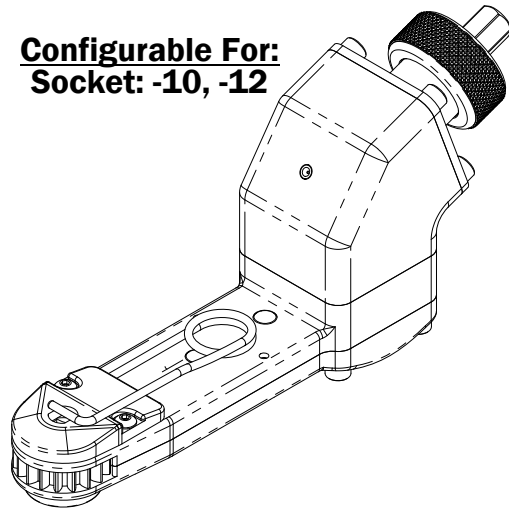
**17940EB**

5 GEAR, FIXED

525 INCH-POUND MAX TORQUE

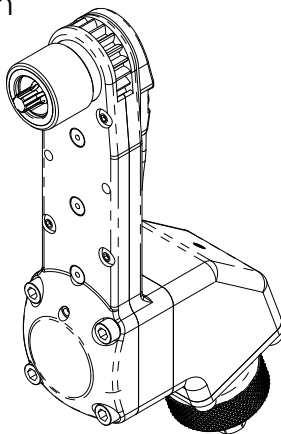
USES OEM STYLE SOCKETS & KEYS

**Configurable For:**  
**Socket: -10, -12**



24211 SOCKET DRIVER EXTENDS PAST COVER PLATE  
(FOR COMPATIBILITY WITH OEM SOCKETS & KEYS)

## Nose Gear Selection



The SOCKET DRIVER nose gear will adapt the attachment to accept -10 & -12 sockets.

PART NO.	SIZE	TYPE
24211	7/16	SOCKET DRIVER

SEE PAGE 24  
FOR SOCKETS & KEYS

OEM  
STYLE



## 20° FIXED SERIES 4



.625 inch / 15.88mm center to edge distance

ATTACHMENT:

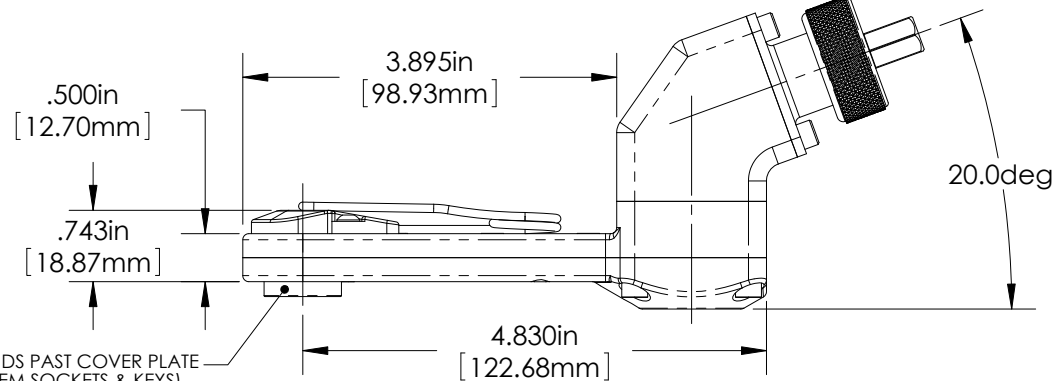
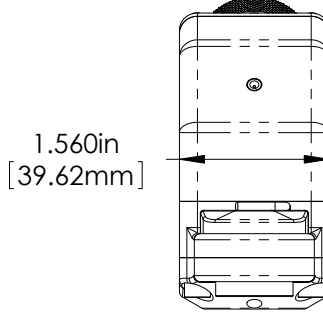
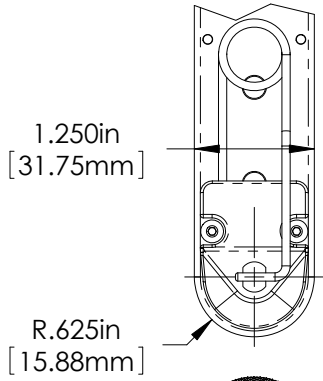
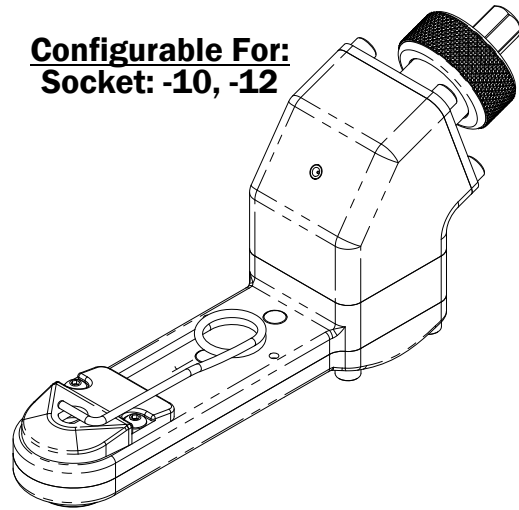
**25016EB**

5 GEAR, FIXED

525 INCH-POUND MAX TORQUE

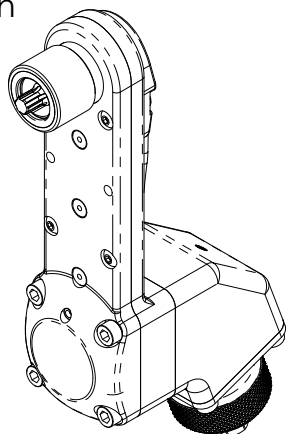
USES OEM STYLE SOCKETS & KEYS

**Configurable For:**  
**Socket: -10, -12**



24211 SOCKET DRIVER EXTENDS PAST COVER PLATE (FOR COMPATIBILITY WITH OEM SOCKETS & KEYS)

### Nose Gear Selection



The SOCKET DRIVER nose gear will adapt the attachment to accept -10 & -12 sockets.

PART NO.	SIZE	TYPE
24211	7/16	SOCKET DRIVER

SEE PAGE 24  
FOR SOCKETS & KEYS

# 20 ° INDEXABLE SERIES 4



.535 inch / 13.59mm center to edge distance

ATTACHMENT:

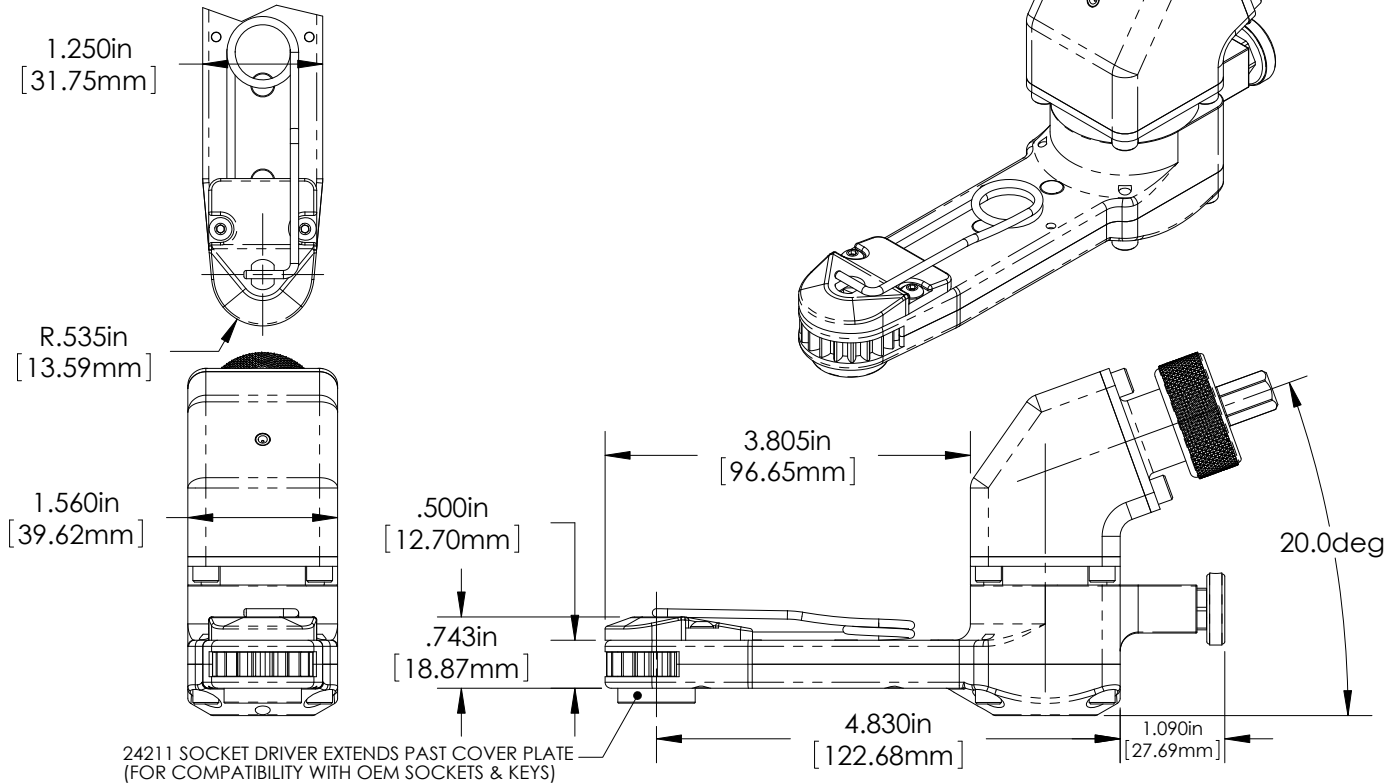
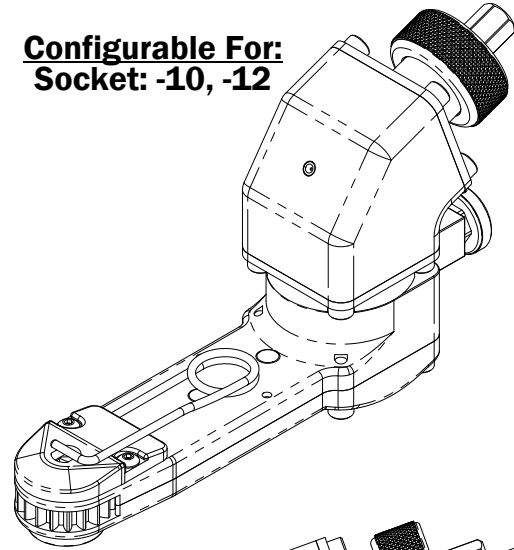
**20087EB**

5 GEAR, INDEXABLE

525 INCH-POUND MAX TORQUE

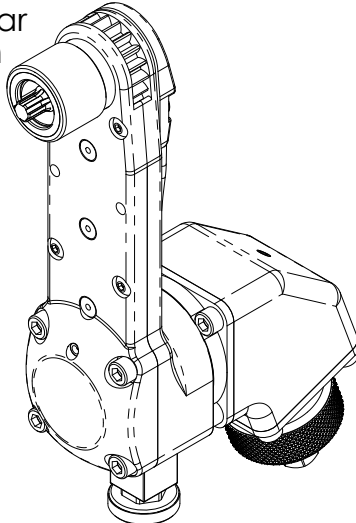
USES OEM STYLE SOCKETS & KEYS

**Configurable For:**  
**Socket: -10, -12**



24211 SOCKET DRIVER EXTENDS PAST COVER PLATE (FOR COMPATIBILITY WITH OEM SOCKETS & KEYS)

## Nose Gear Selection



The SOCKET DRIVER nose gear will adapt the attachment to accept -10 & -12 sockets.

PART NO.	SIZE	TYPE
24211	7/16	SOCKET DRIVER

SEE PAGE 24  
FOR SOCKETS & KEYS

**OEM  
STYLE**

# 20 ° INDEXABLE SERIES 4



.625 inch / 15.88mm center to edge distance

ATTACHMENT:

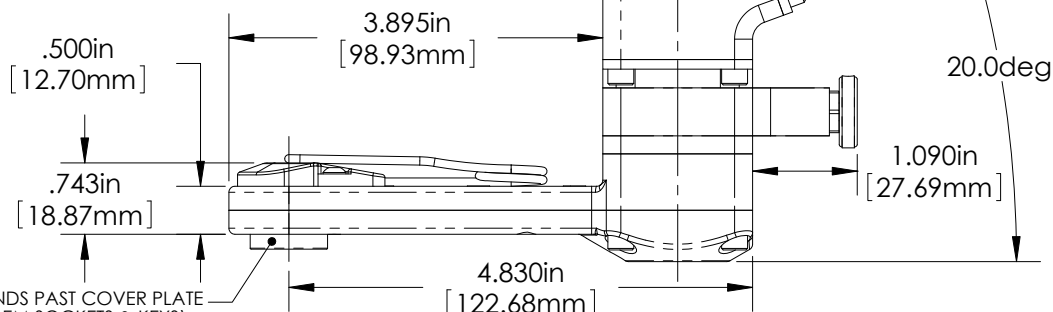
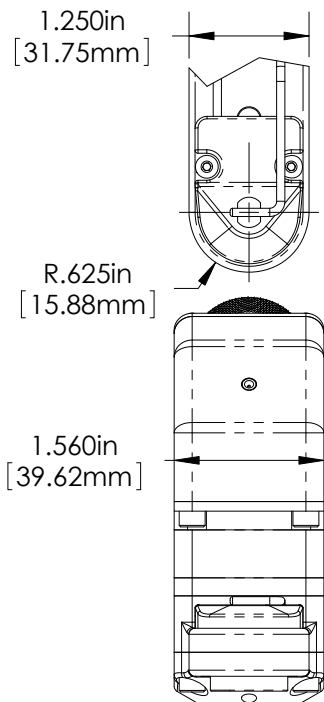
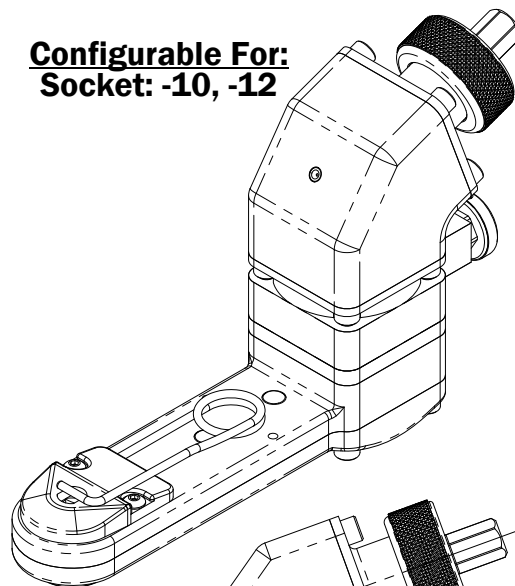
**25019EB**

5 GEAR, INDEXABLE

525 INCH-POUND MAX TORQUE

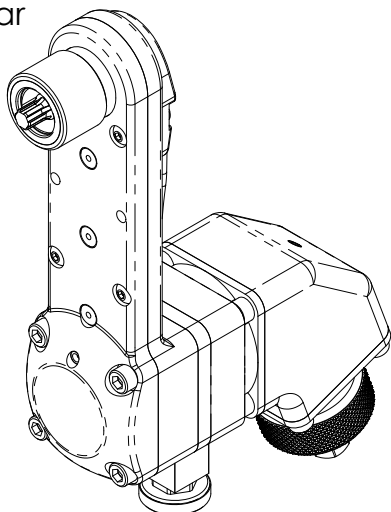
USES OEM STYLE SOCKETS & KEYS

**Configurable For:**  
Socket: -10, -12



24211 SOCKET DRIVER EXTENDS PAST COVER PLATE (FOR COMPATIBILITY WITH OEM SOCKETS & KEYS)

## Nose Gear Selection



The SOCKET DRIVER nose gear will adapt the attachment to accept -10 & -12 sockets.

PART NO.	SIZE	TYPE
24211	7/16	SOCKET DRIVER

SEE PAGE 24  
FOR SOCKETS & KEYS

## LTI SERIES 2



L TYPE INSTALLATION .366 inch / 9.3mm center to edge distance

ATTACHMENTS:

**24981EB** - SHORT TUBE

**24980EB** - LONG TUBE

5 GEAR

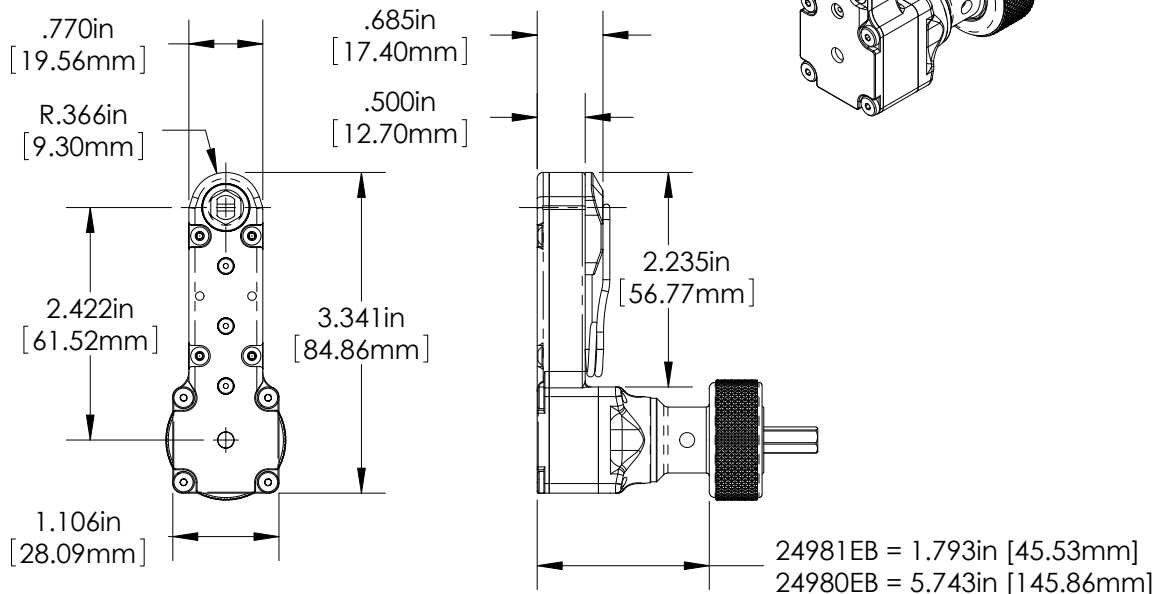
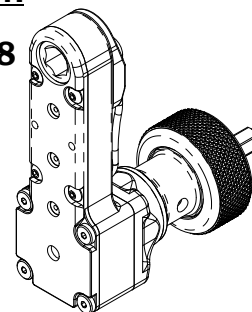
120 INCH-POUND MAX TORQUE

USES OEM STYLE SOCKETS & KEYS

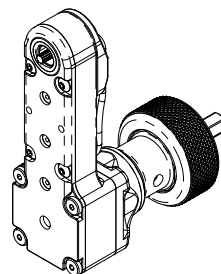
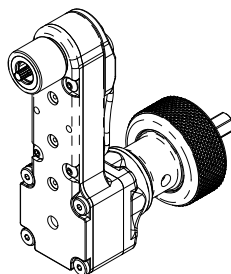
**Configurable For:**

**Flush: -5, -6**

**Socket: -5, -6, -8**



### Nose Gear Selection



*USES  
VINYL COVER  
25655*

The SOCKET DRIVER nose gear will adapt the attachment to accept -5 to -8 sockets.

PART NO.	SIZE	TYPE
24762	5/16	SOCKET DRIVER

SEE PAGE 22  
FOR SOCKETS & KEYS

### FLUSH

The socket is built into the nose gear. Choose the Flush gear and Key from the table below.

PART NO.	SIZE	TYPE
24270	-5	FLUSH
23622	-6	FLUSH
OEM STYLE KEYS - FLUSH		
SPLINE KEY	-5	-6
PART NO.	24635	24640

OEM  
STYLE

## LTI SERIES 3



L TYPE INSTALLATION .500 inch / 12.7mm center to edge distance

ATTACHMENTS:

**18963EB** - SHORT TUBE

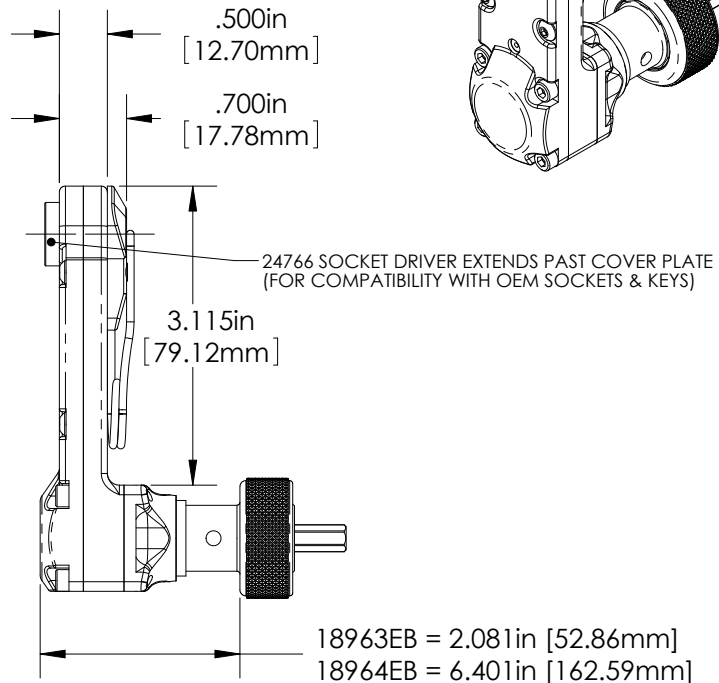
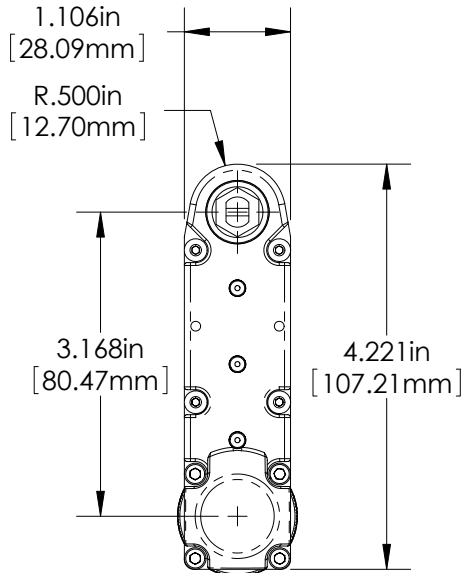
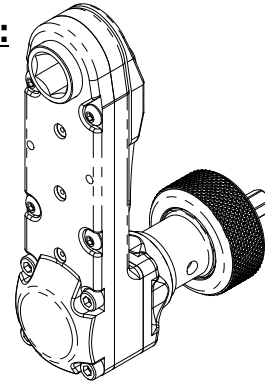
**18964EB** - LONG TUBE

5 GEAR

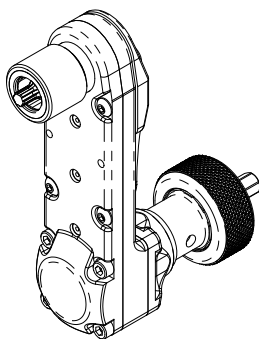
350 INCH-POUND MAX TORQUE

USES OEM STYLE SOCKETS & KEYS

**Configurable For:**  
**-5, -6, -8, -10**



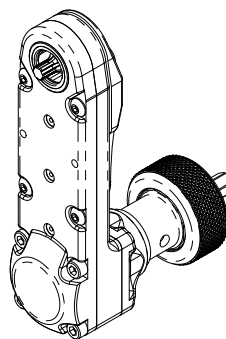
### Nose Gear Selection



The SOCKET DRIVER nose gear will adapt the attachment to accept sockets. Use 5/16 for -5 to -8 & 7/16 for -10.

PART NO.	SIZE	TYPE
24765	5/16	SOCKET DRIVER
24766	7/16	SOCKET DRIVER

SEE PAGE 23  
FOR SOCKETS & KEYS



### FLUSH

The socket is built into the nose gear. Choose the Flush gear and Key from the table below.

PART NO.	SIZE	TYPE		
24271	-5	FLUSH		
23623	-6	FLUSH		
23638	-8	FLUSH		
24203	-10	FLUSH		
OEM STYLE KEYS - FLUSH				
SPLINE KEY	-5	-6	-8	-10
PART NO.	24635	24640	24645	27112

*USES  
VINYL COVER  
25659*

## LTI SERIES 4



L TYPE INSTALLATION .535 inch / 13.59mm center to edge distance

ATTACHMENTS:

**19998EB** - SHORT TUBE

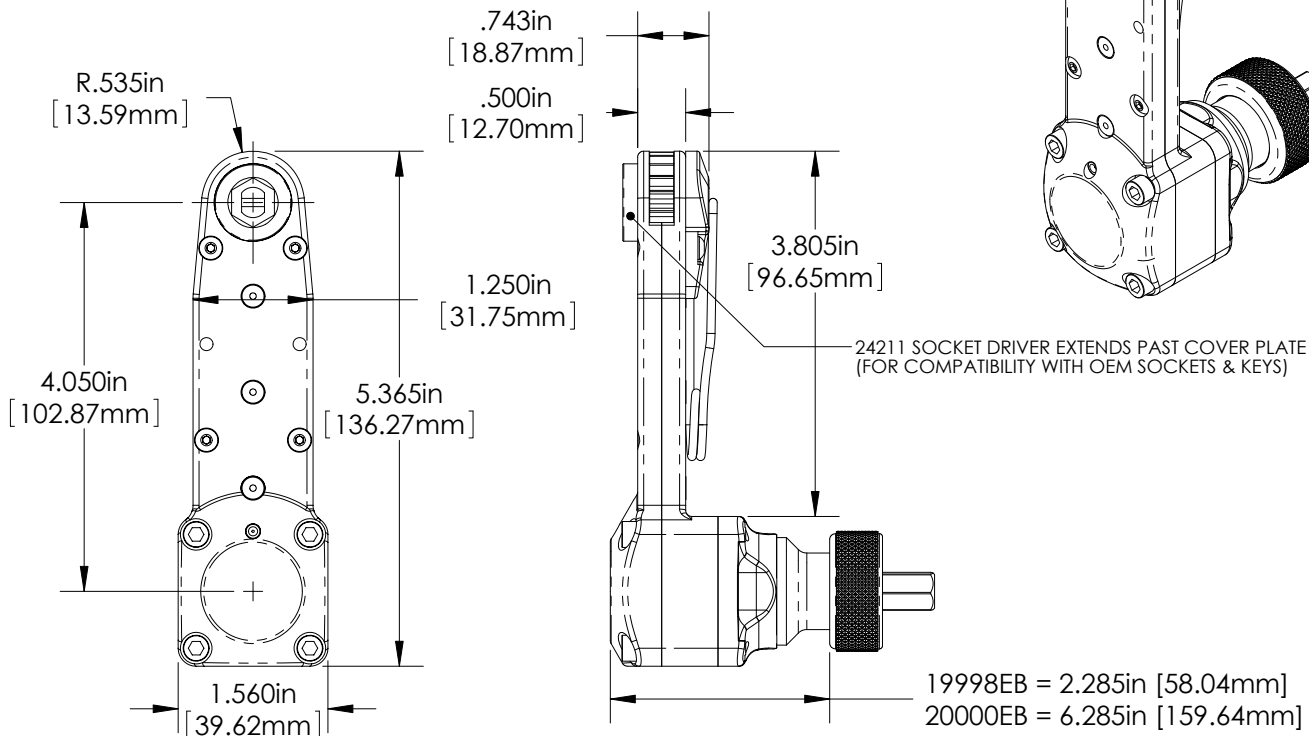
**20000EB** - LONG TUBE

5 GEAR

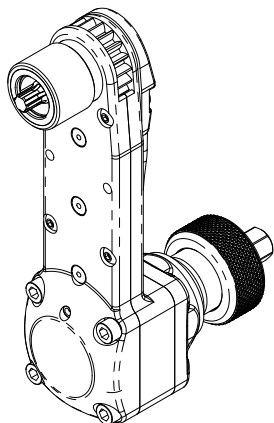
525 INCH-POUND MAX TORQUE

USES OEM STYLE SOCKETS & KEYS

**Configurable For:**  
**Socket: -10, -12**



### Nose Gear Selection



The SOCKET DRIVER nose gear will adapt the attachment to accept -10 & -12 sockets.

PART NO.	SIZE	TYPE
24211	7/16	SOCKET DRIVER

SEE PAGE 24  
FOR SOCKETS & KEYS

OEM  
STYLE

## LTI SERIES 4



L TYPE INSTALLATION .625 inch / 15.88mm center to edge distance

ATTACHMENTS:

**20356EB - SHORT TUBE**

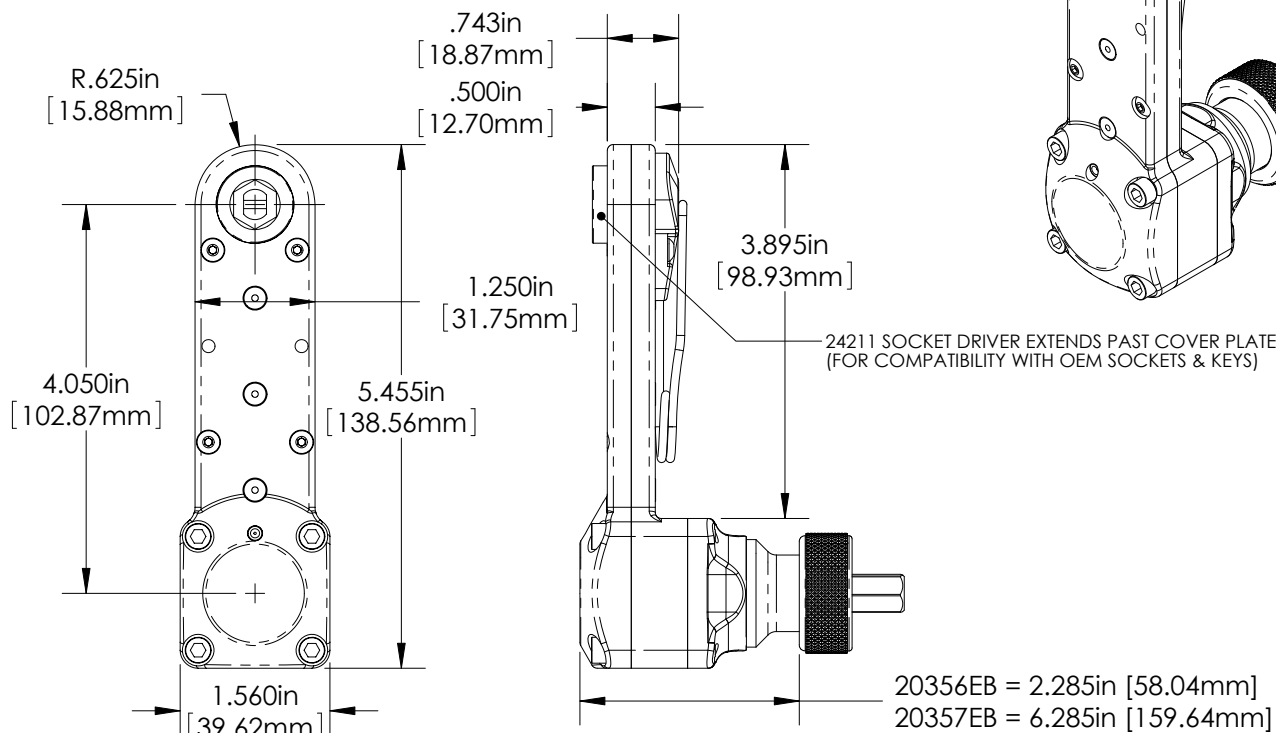
**20357EB - LONG TUBE**

5 GEAR

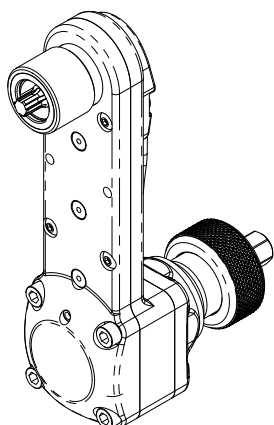
525 INCH-POUND MAX TORQUE

USES OEM STYLE SOCKETS & KEYS

**Configurable For:**  
**Socket: -10, -12**



### Nose Gear Selection



The SOCKET DRIVER nose gear will adapt the attachment to accept -10 & -12 sockets.

PART NO.	SIZE	TYPE
24211	7/16	SOCKET DRIVER

SEE PAGE 24  
FOR SOCKETS & KEYS



## 17° INDEXABLE SERIES 2



.366 inch / 9.3mm center to edge distance

ATTACHMENT:

**15358EB2**

5 GEAR, INDEXABLE

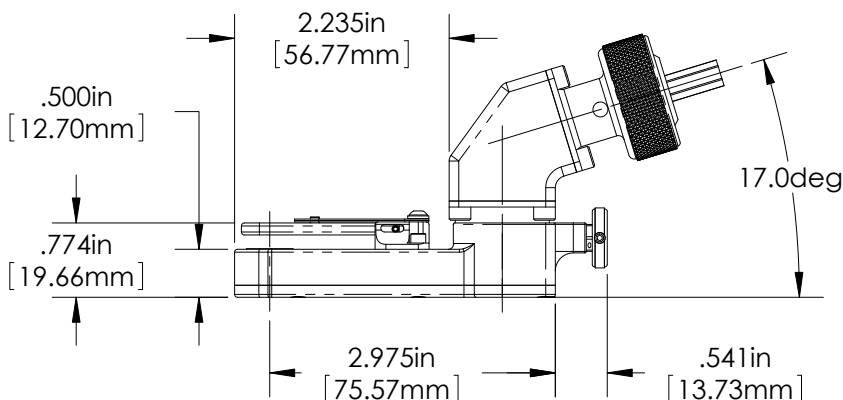
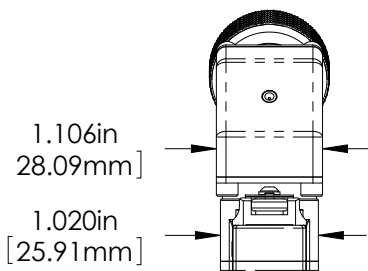
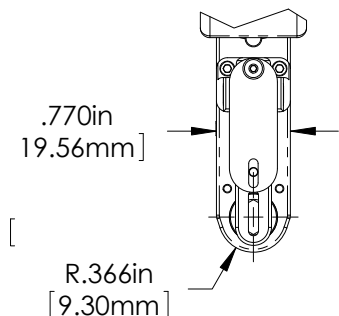
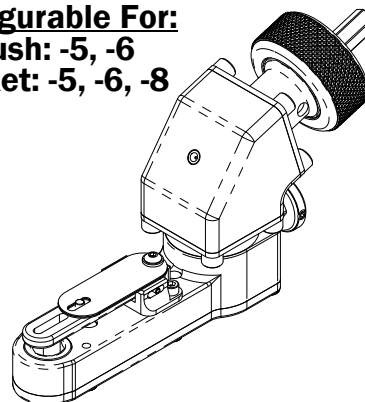
120 INCH-POUND MAX TORQUE

USES OEM STYLE SOCKETS & JIFFY KEYS

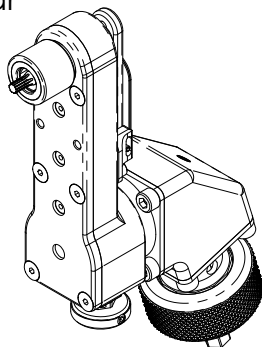
**Configurable For:**

Flush: -5, -6

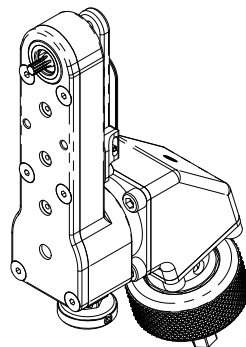
Socket: -5, -6, -8



### Nose Gear Selection



The SOCKET DRIVER nose gear will adapt the attachment to accept -5 to -8 sockets.



### FLUSH

The socket is built into the nose gear. Choose the Flush gear and Key from the table below.

PART NO.	SIZE	TYPE
24762	5/16	SOCKET DRIVER

SEE PAGE 22  
FOR SOCKETS & KEYS

PART NO.	SIZE	TYPE
24270	-5	FLUSH
23622	-6	FLUSH
JIFFY KEYS - FLUSH		
SPLINE KEY	-5	-6
PART NO.	24267	23614

# 17° INDEXABLE "RAT"



.385 inch / 9.78mm center to edge distance

ATTACHMENT:

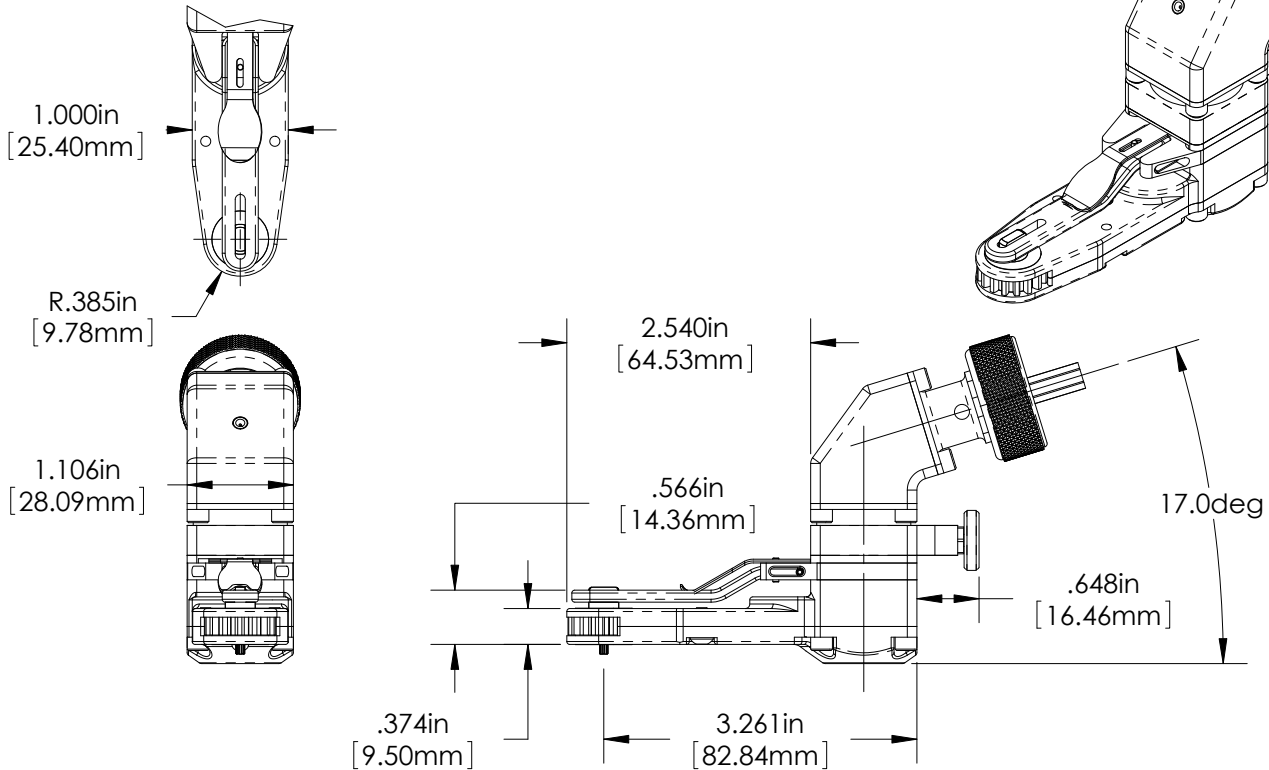
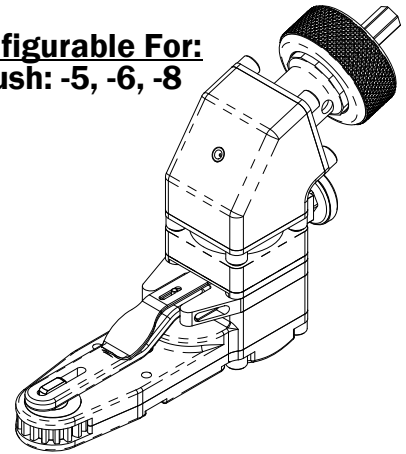
**25869EB2**

5 GEAR, INDEXABLE

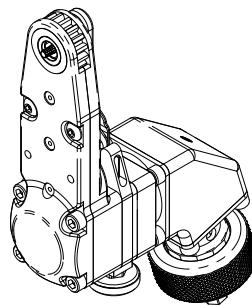
160 INCH-POUND MAX TORQUE

USES JIFFY STYLE KEYS - FLUSH ONLY

**Configurable For:**  
**Flush: -5, -6, -8**



## Nose Gear Selection



### FLUSH ONLY

The socket is built into the nose gear. Choose the Flush gear and Key from the table below.

PART NO.	SIZE	TYPE	
25865	-5	FLUSH	
25866	-6	FLUSH	
25867	-8	FLUSH	
JIFFY KEYS - FLUSH			
SPLINE KEY	-5	-6	-8
PART NO.	25870	25871	25872

## 17° INDEXABLE SERIES 3



.500 inch / 12.7mm center to edge distance

ATTACHMENT:

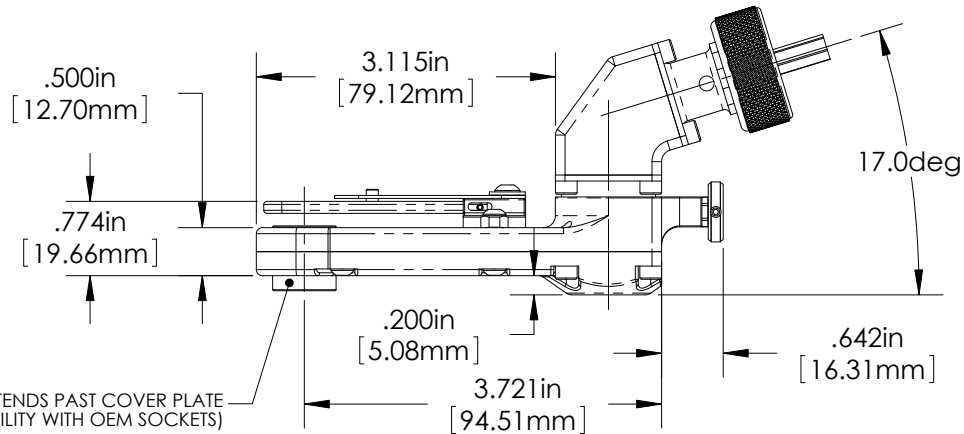
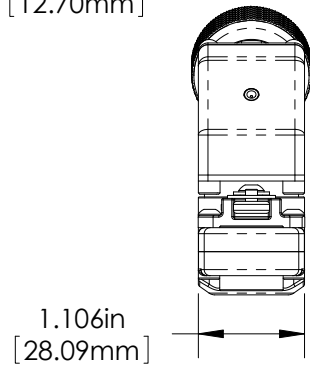
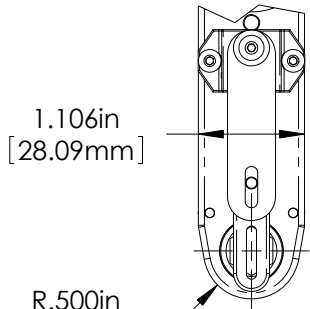
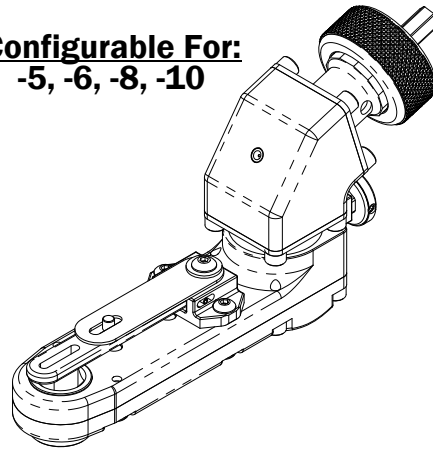
**19975EB2**

5 GEAR, INDEXABLE

350 INCH-POUND MAX TORQUE

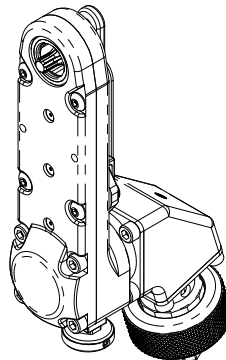
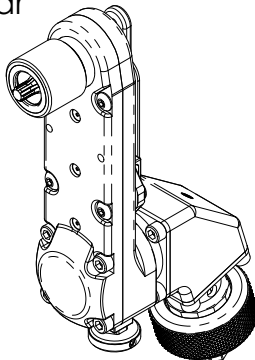
USES OEM STYLE SOCKETS & JIFFY KEYS

**Configurable For:**  
**-5, -6, -8, -10**



24766 SOCKET DRIVER EXTENDS PAST COVER PLATE  
(FOR COMPATIBILITY WITH OEM SOCKETS)

### Nose Gear Selection



*USES  
VINYL COVER  
21484*

The SOCKET DRIVER nose gear will adapt the attachment to accept sockets. 5/16 for -5 to -8 & 7/16 for -10.

### FLUSH

The socket is built into the nose gear. Choose the Flush gear and Key from the table below.

PART NO.	SIZE	TYPE
24765	5/16	SOCKET DRIVER
24766	7/16	SOCKET DRIVER

SEE PAGE 23  
FOR SOCKETS & KEYS

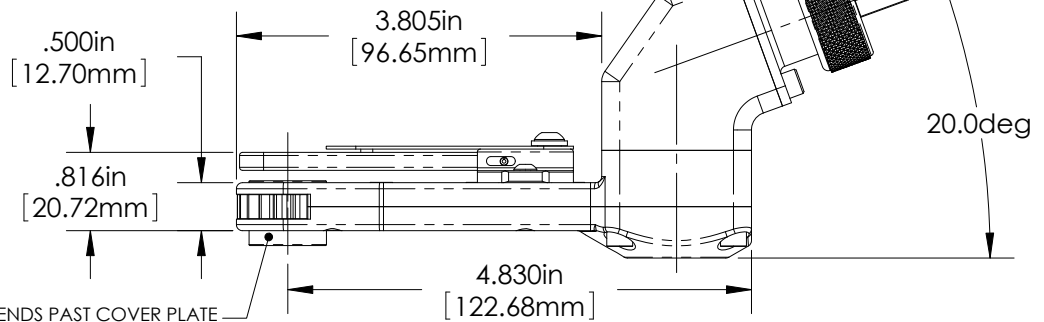
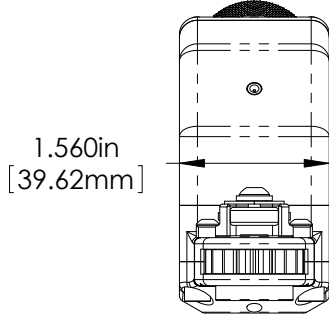
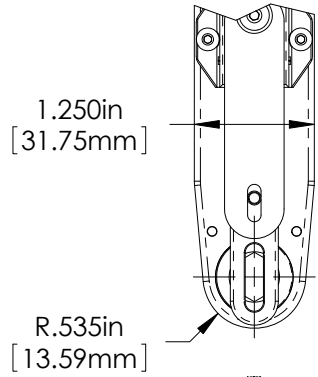
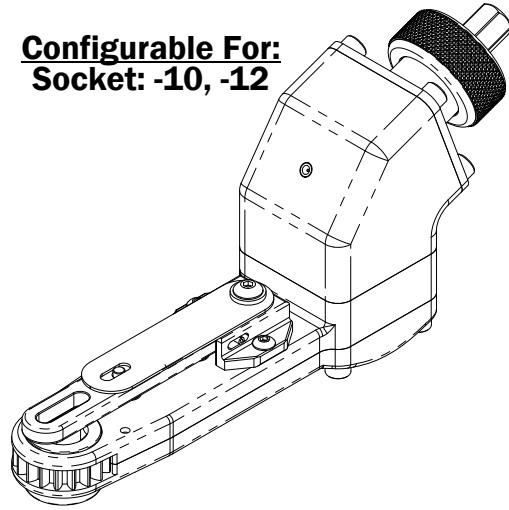
PART NO.	SIZE	TYPE		
24271	-5	FLUSH		
23623	-6	FLUSH		
23638	-8	FLUSH		
24203	-10	FLUSH		
JIFFY KEYS - FLUSH				
SPLINE KEY	-5	-6	-8	-10
PART NO.	24267	23614	23636	24200

# 20° FIXED SERIES 4



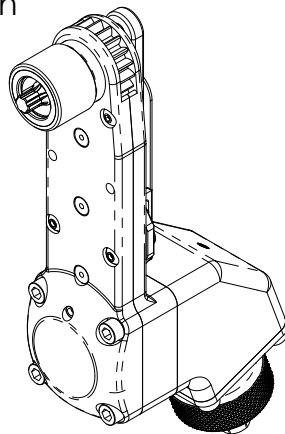
.535 inch / 13.59mm center to edge distance  
**ATTACHMENT:**  
**17940EB2**  
 5 GEAR, FIXED  
 525 INCH-POUND MAX TORQUE  
 USES OEM STYLE SOCKETS & JIFFY KEYS

**Configurable For:**  
**Socket: -10, -12**



24211 SOCKET DRIVER EXTENDS PAST COVER PLATE  
 (FOR COMPATIBILITY WITH OEM SOCKETS)

## Nose Gear Selection



The SOCKET DRIVER nose gear will adapt the attachment to accept -10 & -12 Sockets.

PART NO.	SIZE	TYPE
24211	7/16	SOCKET DRIVER

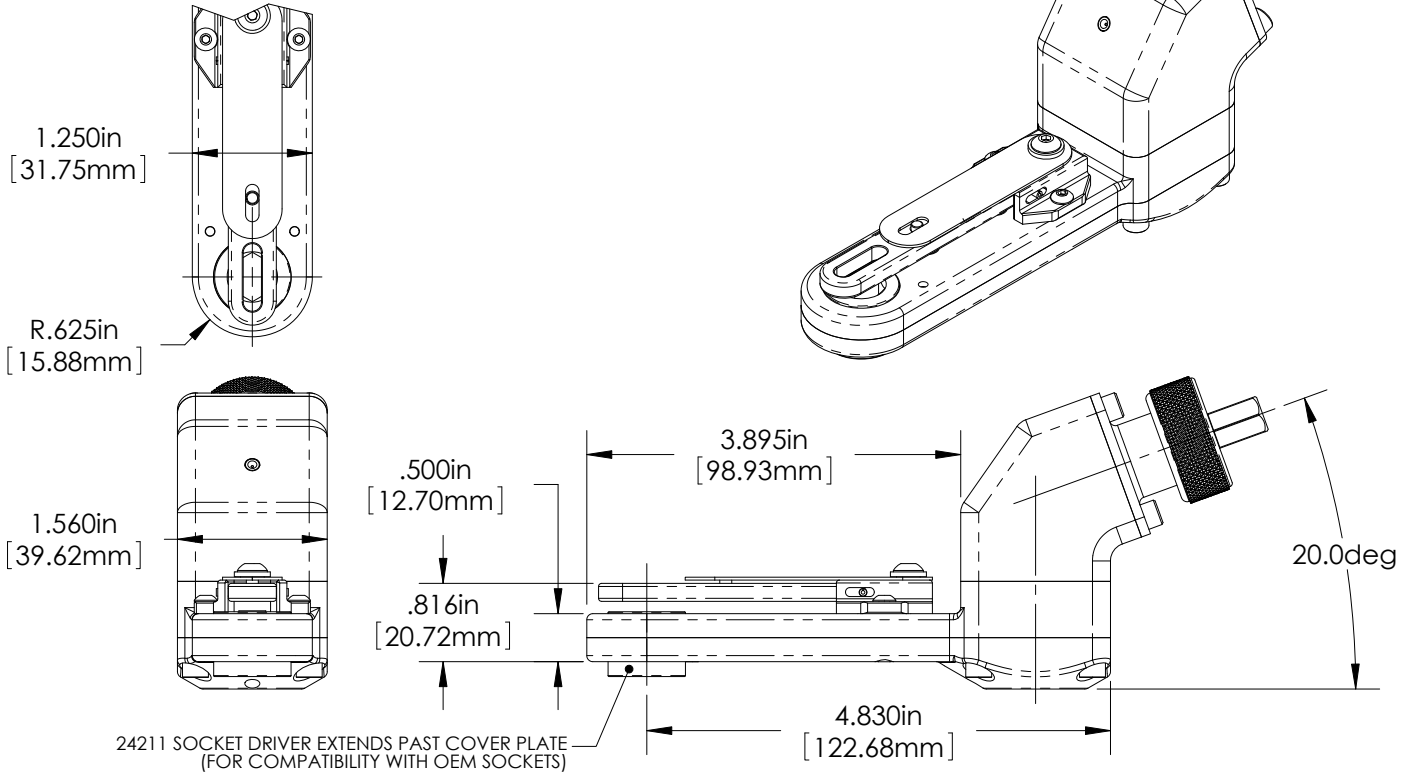
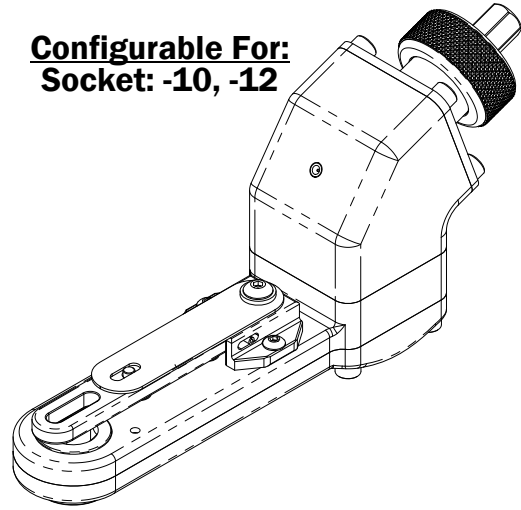
SEE PAGE 24  
 FOR SOCKETS & KEYS

## 20° FIXED SERIES 4

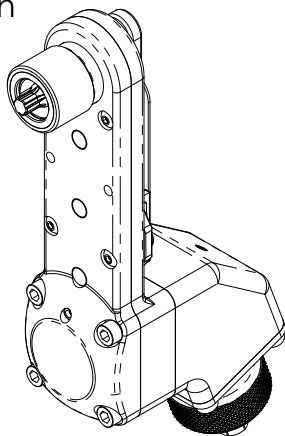


.625 inch / 15.88mm center to edge distance  
**ATTACHMENT:**  
**25016EB2**  
 5 GEAR, FIXED  
 525 INCH-POUND MAX TORQUE  
 USES OEM STYLE SOCKETS & JIFFY KEYS

**Configurable For:**  
**Socket: -10, -12**



### Nose Gear Selection



The SOCKET DRIVER nose gear will adapt the attachment to accept -10 & -12 sockets.

PART NO.	SIZE	TYPE
24211	7/16	SOCKET DRIVER

SEE PAGE 24  
 FOR SOCKETS & KEYS

# 20 ° INDEXABLE SERIES 4

.535 inch / 13.59mm center to edge distance

ATTACHMENT:

**20087EB2**

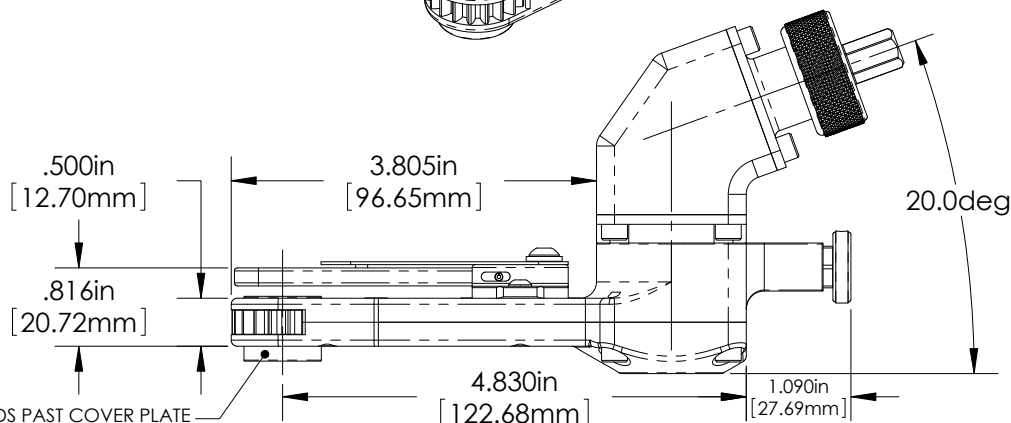
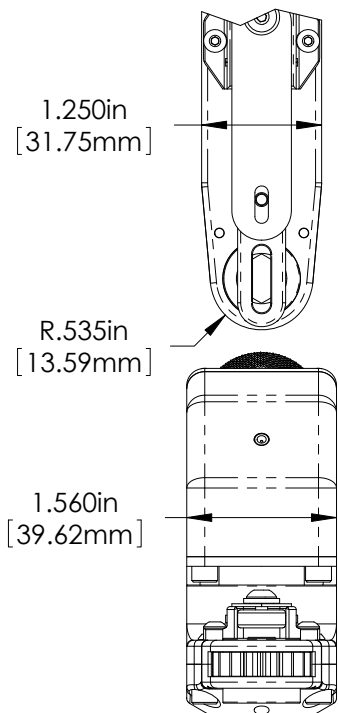
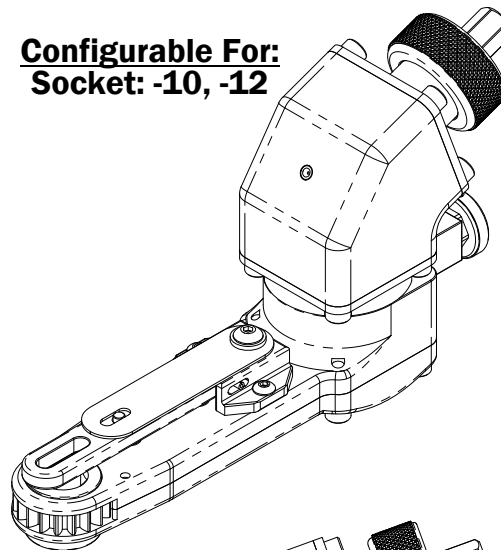
5 GEAR, INDEXABLE

525 INCH-POUND MAX TORQUE

USES OEM STYLE SOCKETS & JIFFY KEYS

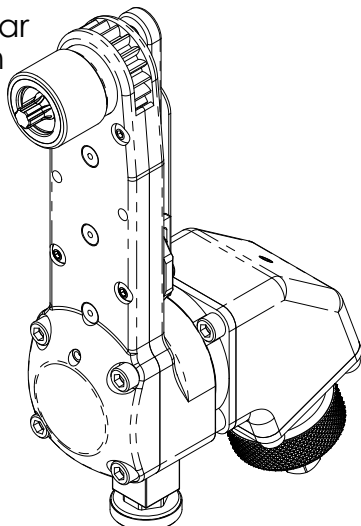


**Configurable For:**  
**Socket: -10, -12**



24211 SOCKET DRIVER EXTENDS PAST COVER PLATE (FOR COMPATIBILITY WITH OEM SOCKETS)

## Nose Gear Selection



The SOCKET DRIVER nose gear will adapt the attachment to accept -10 & -12 sockets.

PART NO.	SIZE	TYPE
24211	7/16	SOCKET DRIVER

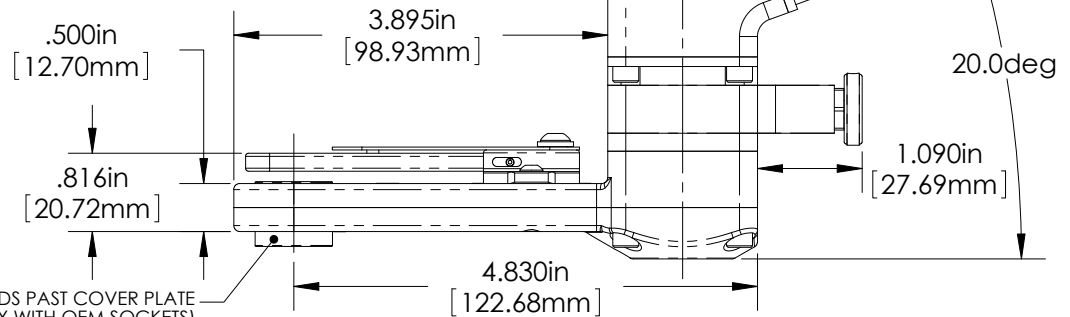
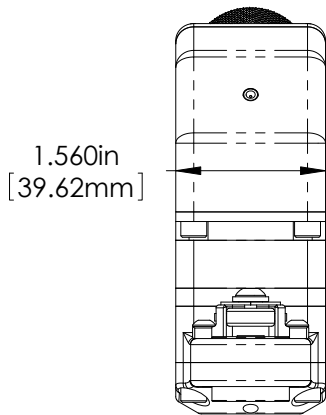
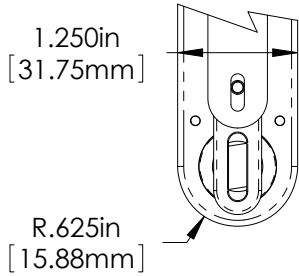
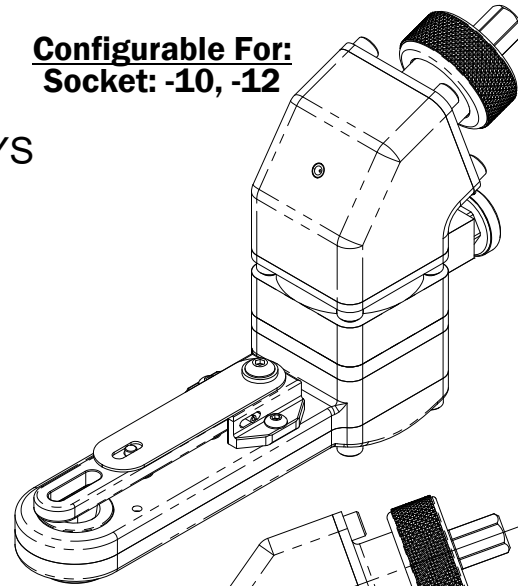
SEE PAGE 24  
FOR SOCKETS & KEYS

## 20° INDEXABLE SERIES 4



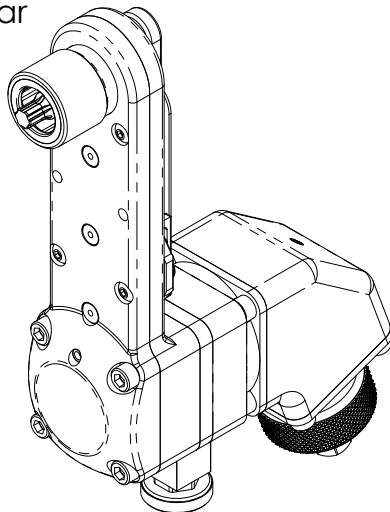
.625 inch / 15.88mm center to edge distance  
**ATTACHMENT:**  
**25019EB2**  
 5 GEAR, INDEXABLE  
 525 INCH-POUND MAX TORQUE  
 USES OEM STYLE SOCKETS & JIFFY KEYS

**Configurable For:**  
**Socket: -10, -12**



24211 SOCKET DRIVER EXTENDS PAST COVER PLATE (FOR COMPATIBILITY WITH OEM SOCKETS)

### Nose Gear Selection



The SOCKET DRIVER nose gear will adapt the attachment to accept -10 & -12 sockets.

PART NO.	SIZE	TYPE
24211	7/16	SOCKET DRIVER

SEE PAGE 24  
 FOR SOCKETS & KEYS



## LTI SERIES 2

L TYPE INSTALLATION .366 inch / 9.3mm center to edge distance

ATTACHMENTS:

**24981EB2** - SHORT TUBE

**24980EB2** - LONG TUBE

5 GEAR

120 INCH-POUND MAX TORQUE

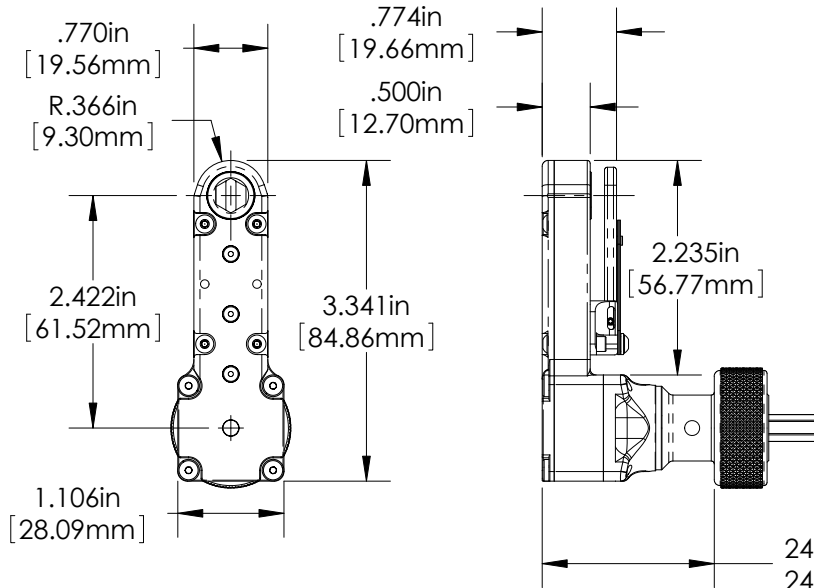
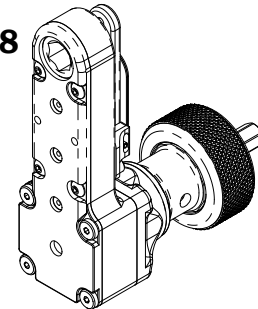
USES OEM STYLE SOCKETS & JIFFY KEYS



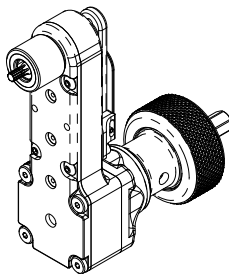
**Configurable For:**

**Flush: -5, -6**

**Socket: -5, -6, -8**



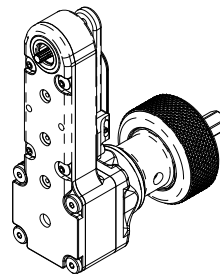
### Nose Gear Selection



The SOCKET DRIVER nose gear will adapt the attachment to accept -5 to -8 sockets.

PART NO.	SIZE	TYPE
24762	5/16	SOCKET DRIVER

SEE PAGE 22  
FOR SOCKETS & KEYS



### FLUSH

The socket is built into the nose gear. Choose the Flush gear and Key from the table below.

PART NO.	SIZE	TYPE
24270	-5	FLUSH
23622	-6	FLUSH
JIFFY KEYS - FLUSH		
SPLINE KEY	-5	-6
PART NO.	24267	23614

## LTI SERIES 3



L TYPE INSTALLATION .500 inch / 12.7mm center to edge distance

ATTACHMENTS:

**18963EB2** - SHORT TUBE

**18964EB2** - LONG TUBE

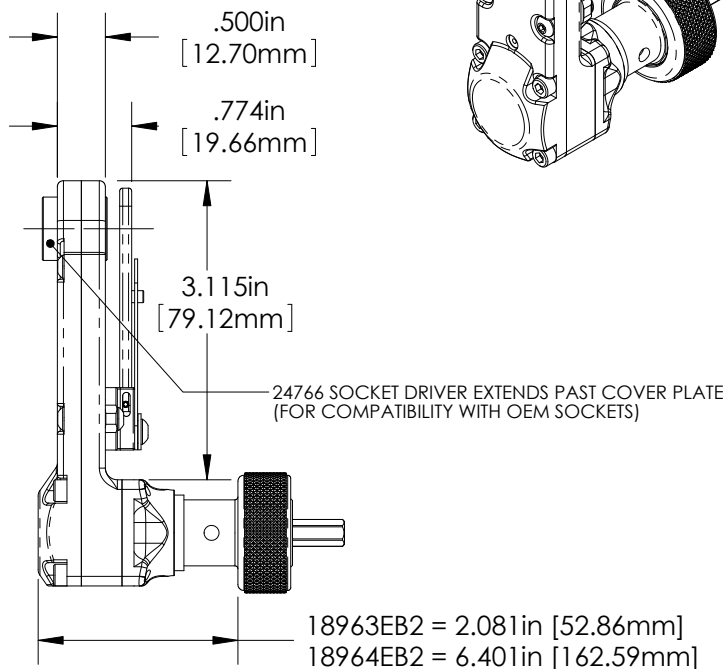
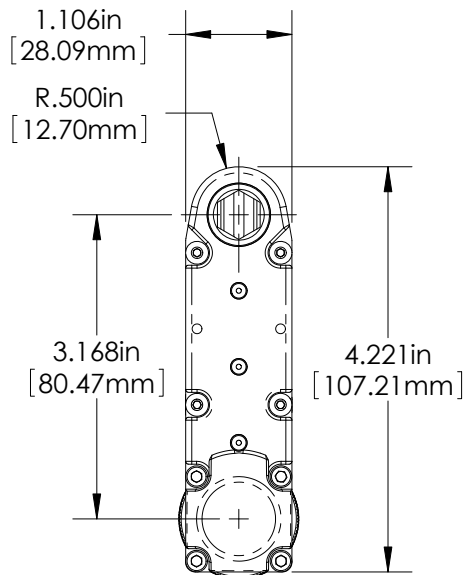
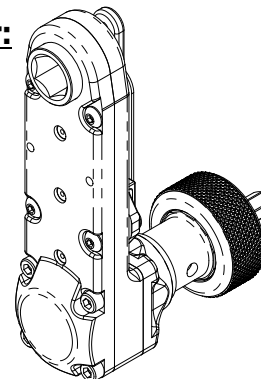
5 GEAR

350 INCH-POUND MAX TORQUE

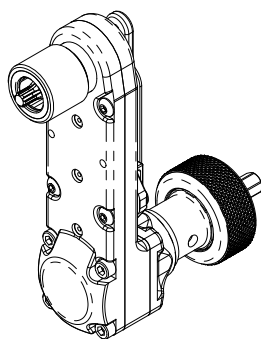
USES OEM STYLE SOCKETS & JIFFY KEYS

**Configurable For:**

**-5, -6, -8, -10**



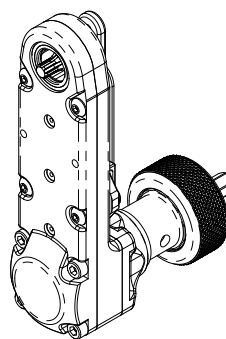
### Nose Gear Selection



The SOCKET DRIVER nose gear will adapt the attachment to accept sockets. 5/16 for -5 to -8, & 7/16 for -10.

PART NO.	SIZE	TYPE
24765	5/16	SOCKET DRIVER
24766	7/16	SOCKET DRIVER

SEE PAGE 23  
FOR SOCKETS & KEYS



### FLUSH

The socket is built into the nose gear. Choose the Flush gear and Key from the table below.

PART NO.	SIZE	TYPE		
24271	-5	FLUSH		
23623	-6	FLUSH		
23638	-8	FLUSH		
24203	-10	FLUSH		
JIFFY KEYS - FLUSH				
SPLINE KEY	-5	-6	-8	-10
PART NO.	24267	23614	23636	24200

*USES  
VINYL COVER  
21413*

# LTI SERIES 4



L TYPE INSTALLATION .535 inch / 13.59mm center to edge distance

ATTACHMENTS:

**19998EB2 - SHORT TUBE**

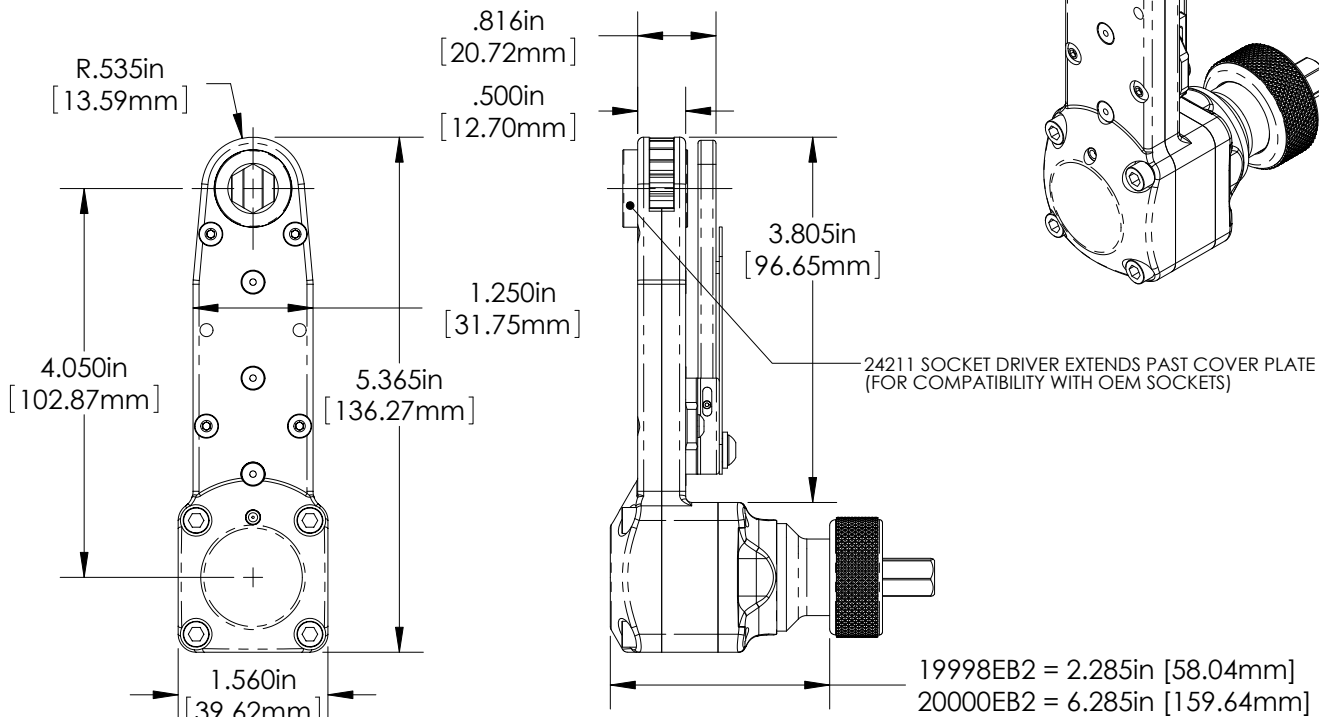
**20000EB2 - LONG TUBE**

5 GEAR

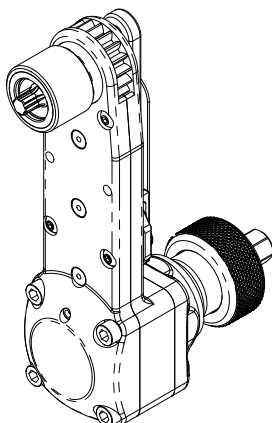
525 INCH-POUND MAX TORQUE

USES OEM STYLE SOCKETS & JIFFY KEYS

**Configurable For:**  
**Socket: -10, -12**



## Nose Gear Selection



The SOCKET DRIVER nose gear will adapt the attachment to accept -10 & -12 sockets.

PART NO.	SIZE	TYPE
24211	7/16	SOCKET DRIVER

SEE PAGE 24  
FOR SOCKETS & KEYS

## LTI SERIES 4



L TYPE INSTALLATION .625 inch / 15.88mm center to edge distance

ATTACHMENTS:

**20356EB2 - SHORT TUBE**

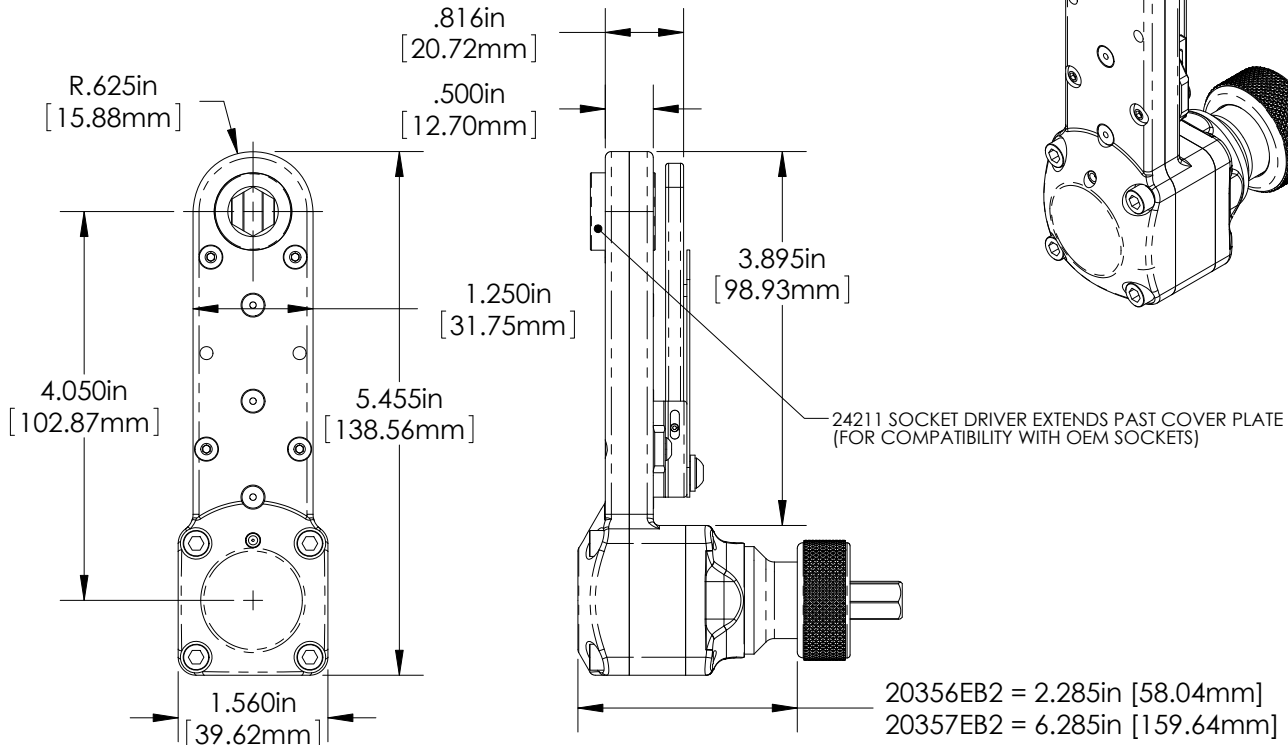
**20357EB2 - LONG TUBE**

5 GEAR

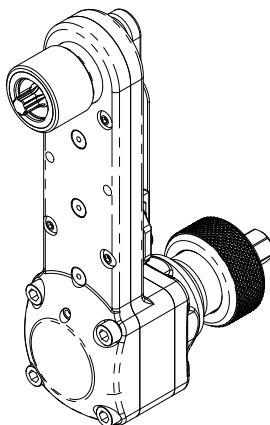
525 INCH-POUND MAX TORQUE

USES OEM STYLE SOCKETS & JIFFY KEYS

**Configurable For:**  
**Socket: -10, -12**



### Nose Gear Selection



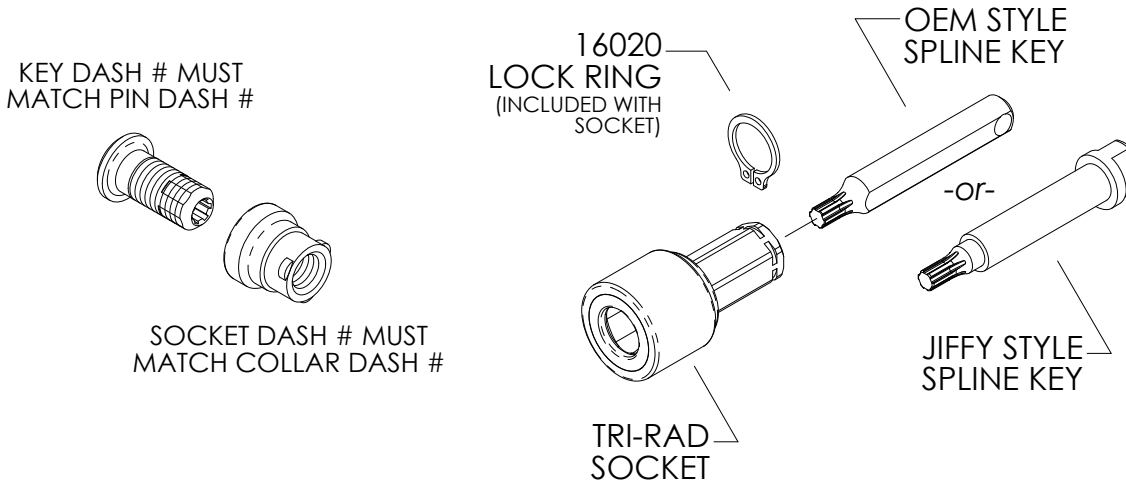
The SOCKET DRIVER nose gear will adapt the attachment to accept -10 & -12 sockets.

PART NO.	SIZE	TYPE
24211	7/16	SOCKET DRIVER

SEE PAGE 24  
FOR SOCKETS & KEYS

## FITS SERIES 2

FOR Eddie-Bolt® 2 INSTALLATION



LENGTH OF SOCKET

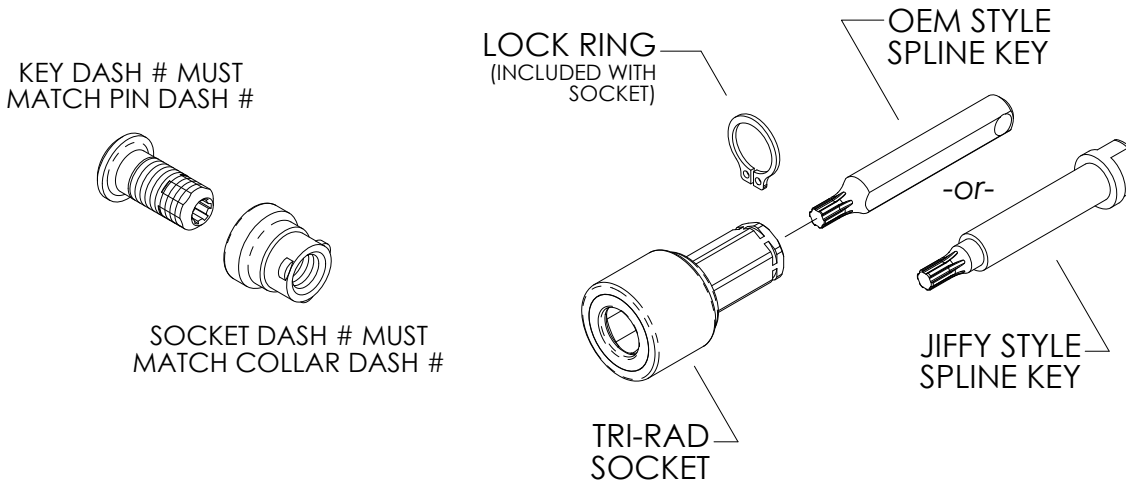
DASH #	DESCRIPTION	1/2"	1"	2"	3"
<b>-5</b>	TRI-RAD SOCKET	24677	24678	24679	24680
	SPLINE KEY - OEM STYLE	24636	24637	24638	24639
	SPLINE KEY - JIFFY STYLE	24262	24263	24265	24266
<b>-6</b>	TRI-RAD SOCKET	24682	24683	24684	24685
	SPLINE KEY - OEM STYLE	24641	24642	24643	24644
	SPLINE KEY - JIFFY STYLE	23615	23616	23618	23619
<b>-8</b>	TRI-RAD SOCKET	24687	24688	24689	24690
	SPLINE KEY - OEM STYLE	24646	24647	24648	24649
	SPLINE KEY - JIFFY STYLE	23629	23630	23634	23635

WHEN ORDERING, SPECIFY BOTH SOCKET & KEY.

"EDDIE-BOLT" IS A REGISTERED TRADEMARK OF HOWMET AEROSPACE INC. AND ITS SUBSIDIARIES. JIFFY AIR TOOL INC. IS NOT AFFILIATED WITH HOWMET AEROSPACE INC.

## FITS SERIES 3

FOR Eddie-Bolt® 2 INSTALLATION



**OEM STYLE -5 TO -8  
MUST USE 24771 CAP**

LENGTH OF SOCKET

DASH #	NOSE GEAR #	LOCK RING #	DESCRIPTION	1/2"	5/8"	1"	2"	3"
<b>-5</b>	24765	16020	TRI-RAD SOCKET	24677	N/A	24678	24679	24680
			SPLINE KEY - OEM STYLE	24636	N/A	24637	24638	24639
			SPLINE KEY - JIFFY STYLE	24262	N/A	24263	24265	24266
<b>-6</b>	24765	16020	TRI-RAD SOCKET	24682	N/A	24683	24684	24685
			SPLINE KEY - OEM STYLE	24641	N/A	24642	24643	24644
			SPLINE KEY - JIFFY STYLE	23615	N/A	23616	23618	23619
<b>-8</b>	24765	16020	TRI-RAD SOCKET	24687	N/A	24688	24689	24690
			SPLINE KEY - OEM STYLE	24646	N/A	24647	24648	24649
			SPLINE KEY - JIFFY STYLE	23629	N/A	23630	23634	23635

**OEM STYLE -10  
MUST USE  
24777 CAP**

LENGTH OF SOCKET

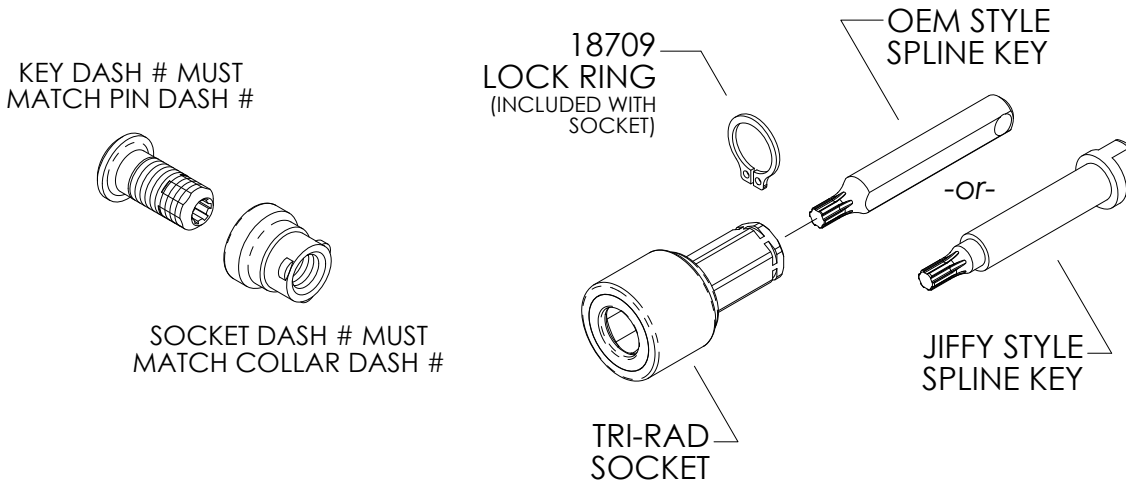
DASH #	NOSE GEAR #	LOCK RING #	DESCRIPTION	1/2"	5/8"	1"	2"	3"
<b>-10</b>	24766	18709	TRI-RAD SOCKET	N/A	24697	24698	24699	24700
			SPLINE KEY - OEM STYLE	N/A	24667	24668	24669	24670
			SPLINE KEY - JIFFY STYLE	N/A	27102	27103	27104	27105

WHEN ORDERING, SPECIFY BOTH SOCKET & KEY.

"EDDIE-BOLT" IS A REGISTERED TRADEMARK OF HOWMET AEROSPACE INC. AND ITS SUBSIDIARIES. JIFFY AIR TOOL INC. IS NOT AFFILIATED WITH HOWMET AEROSPACE INC.

**FITS SERIES 4**

FOR Eddie-Bolt® 2 INSTALLATION



LENGTH OF SOCKET

DASH #	DESCRIPTION	5/8"	1"	2"	3"
<b>-10</b>	TRI-RAD SOCKET	24697	24698	24699	24700
	SPLINE KEY - OEM STYLE	24667	24668	24669	24670
	SPLINE KEY - JIFFY STYLE	27107	27108	27109	27110
<b>-12</b>	TRI-RAD SOCKET	24702	24703	24704	24705
	SPLINE KEY - OEM STYLE	24672	24673	24674	24675
	SPLINE KEY - JIFFY STYLE	24224	24225	24226	24227

WHEN ORDERING, SPECIFY BOTH SOCKET & KEY.

"EDDIE-BOLT" IS A REGISTERED TRADEMARK OF HOWMET AEROSPACE INC. AND ITS SUBSIDIARIES. JIFFY AIR TOOL INC. IS NOT AFFILIATED WITH HOWMET AEROSPACE INC.



# STRAIGHT SERIES 2

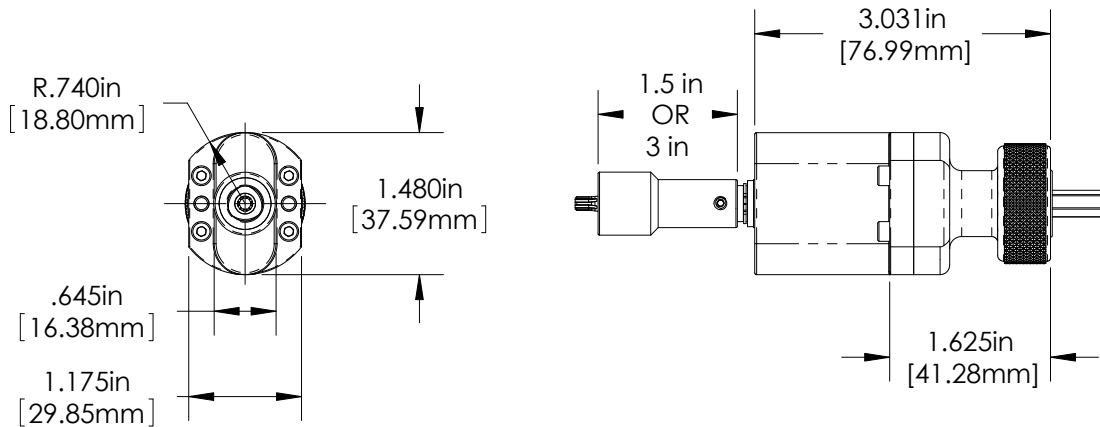
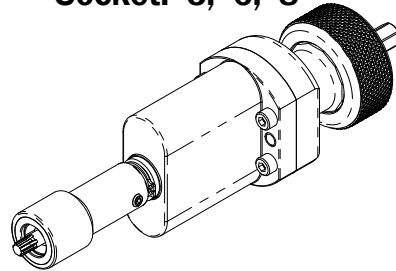


ATTACHMENT:

**14251**

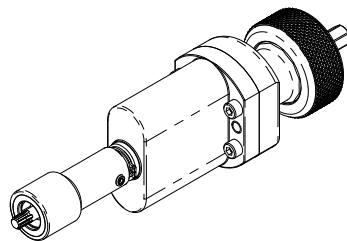
160 INCH-POUND MAX TORQUE

**Configurable For:**  
**Socket: -5, -6, -8**



Socket & Key Selection

*USES  
VINYL COVER  
21480*



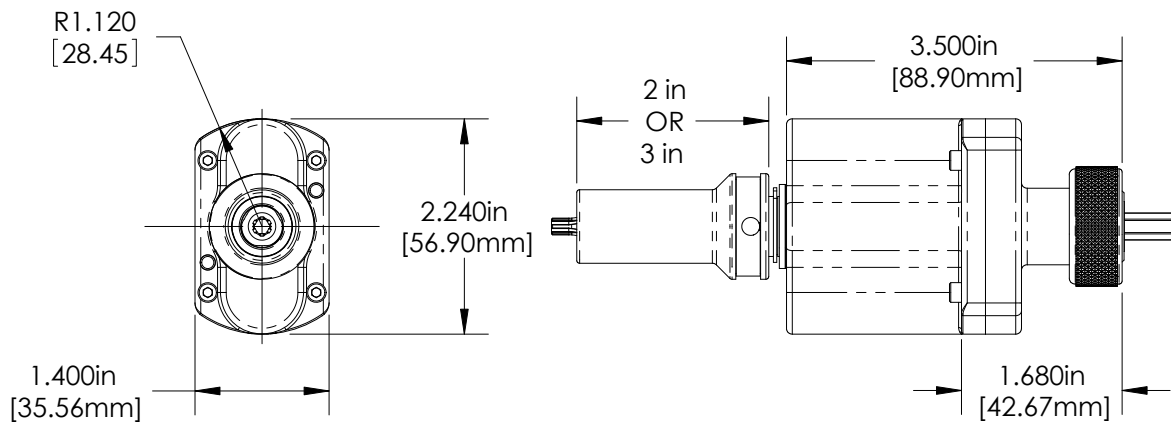
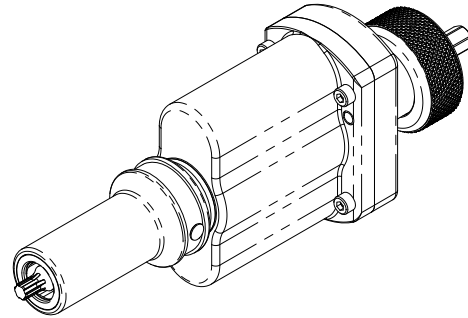
DASH		LENGTH OF SOCKET	
		1-1/2"	3"
-5	SOCKET	25930	25931
	SPLINE KEY	25940	25941
-6	SOCKET	25932	25933
	SPLINE KEY	25942	25943
-8	SOCKET	25934	25935
	SPLINE KEY	25944	25945

# STRAIGHT SERIES 3

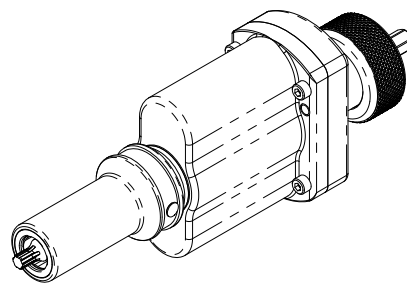


ATTACHMENT:  
**20102**  
 350 INCH-POUND MAX TORQUE

**Configurable For:**  
**Socket: -10**



Socket & Key Selection



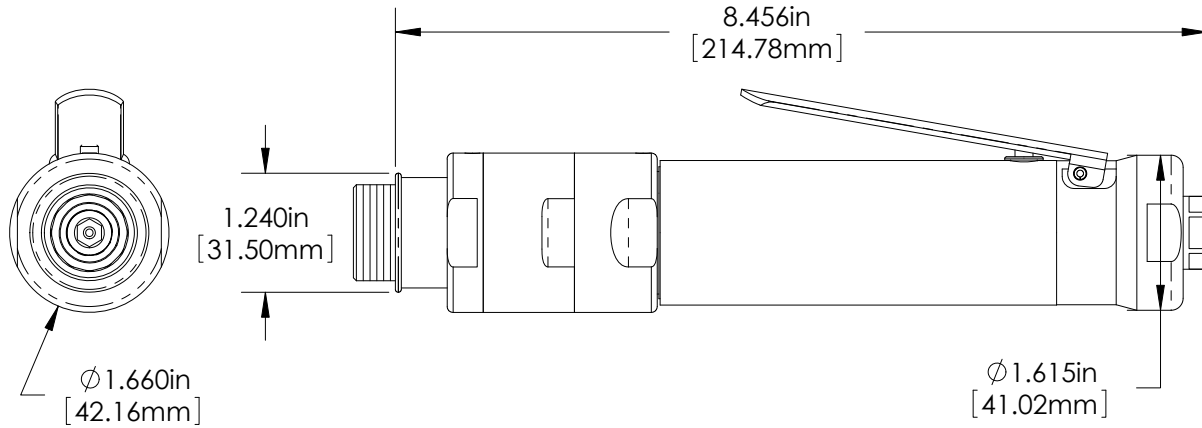
DASH		LENGTH OF SOCKET	
		2"	3"
-10	SOCKET	25936	25937
	SPLINE KEY	25946	25947

# MOTORS - STRAIGHT

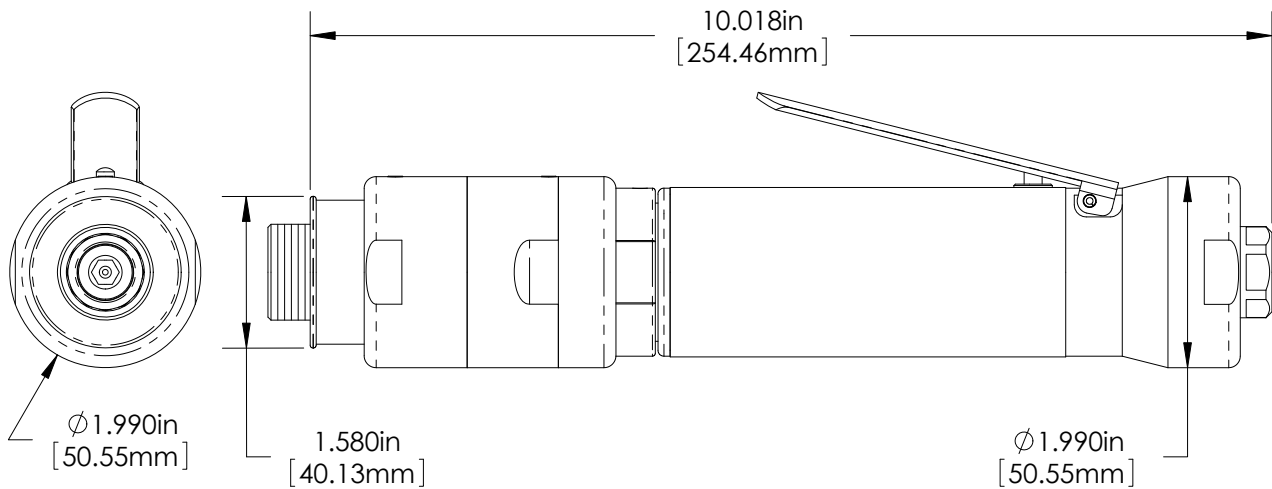


TO CONFORM TO EC STANDARDS, STRAIGHT MOTORS MUST BE ORDERED WITH A SAFETY LEVER. ADD -1 TO MOTOR ORDER NUMBER TO DESIGNATE SAFETY LEVER.

H.P.	RPM	HEX DRIVE SIZE	ORDER NUMBER	WEIGHT
0.85	250	1/4	18062	1.88 LB / .85 KG



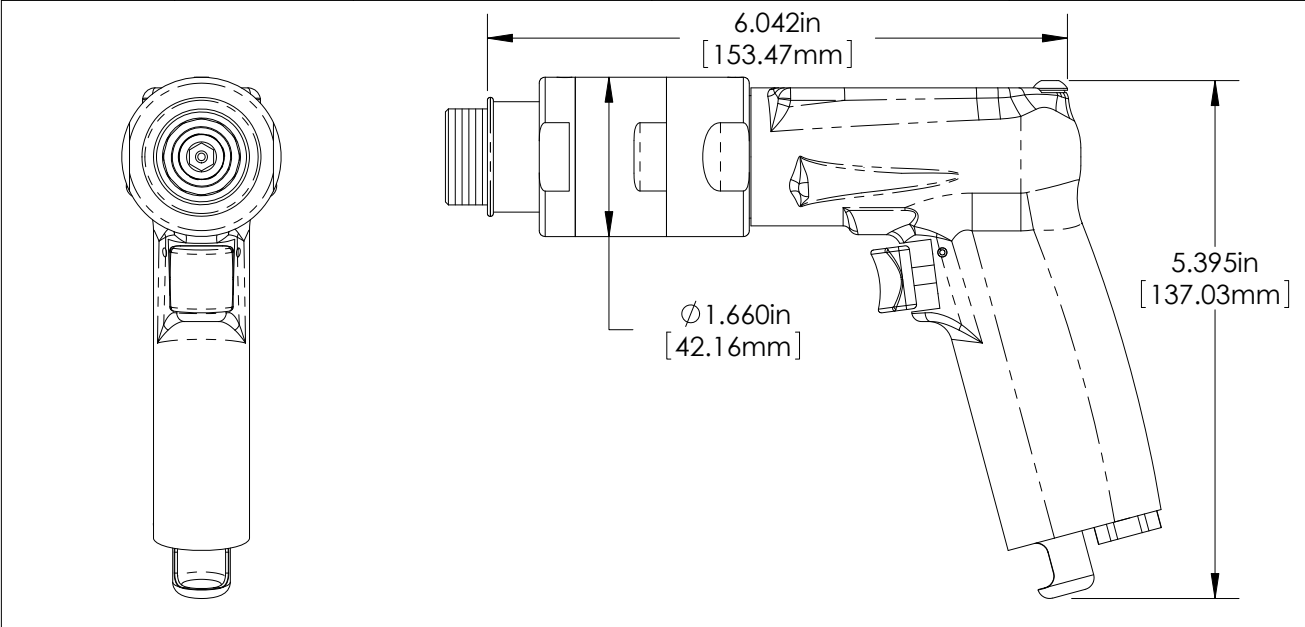
H.P.	RPM	HEX DRIVE SIZE	ORDER NUMBER	WEIGHT
1.5	250	1/4	20396	3.73 LB / 1.7 KG
1.5	250	3/8 (FOR SERIES 4)	20397	3.73 LB / 1.7 KG



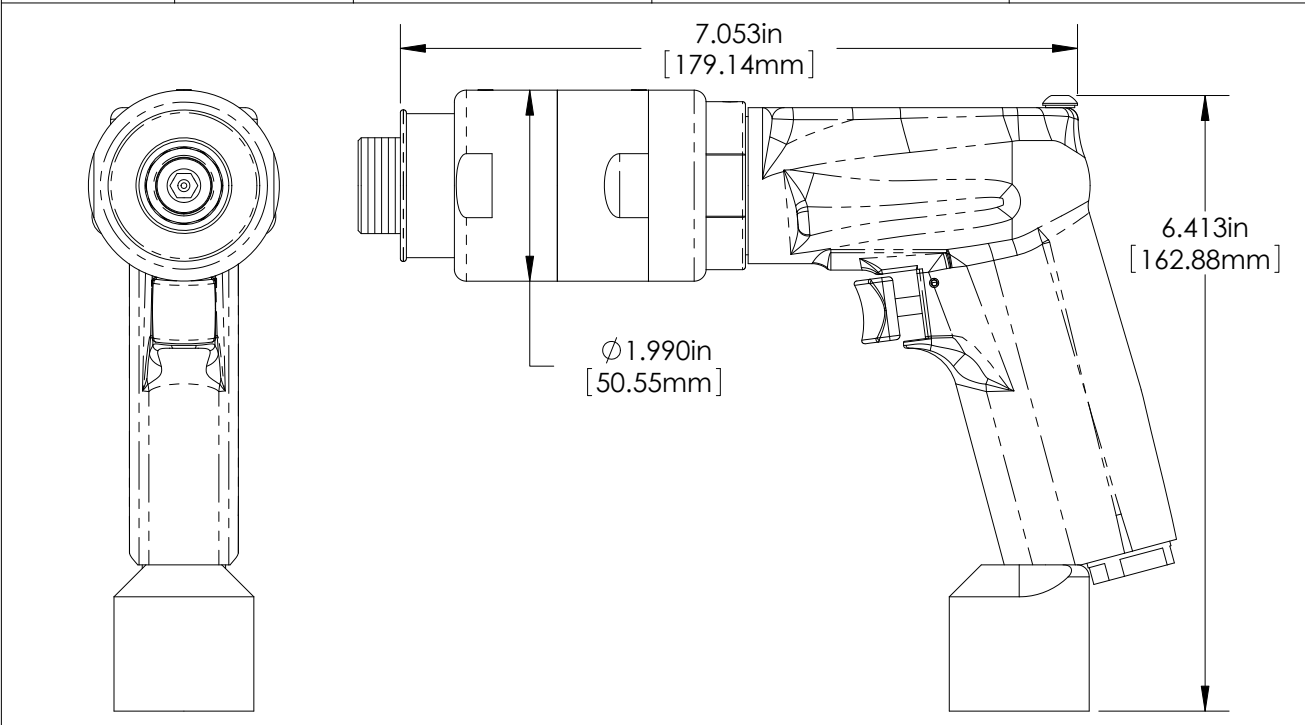
# MOTORS - OFFSET



H.P.	RPM	HEX DRIVE SIZE	ORDER NUMBER	WEIGHT
0.85	250	1/4	18000	2.25 LB / 1.1 KG



H.P.	RPM	HEX DRIVE SIZE	ORDER NUMBER	WEIGHT
1.5	250	1/4	20398	3.73 LB / 1.7 KG
1.5	250	3/8 (FOR SERIES 4)	20399	3.73 LB / 1.7 KG

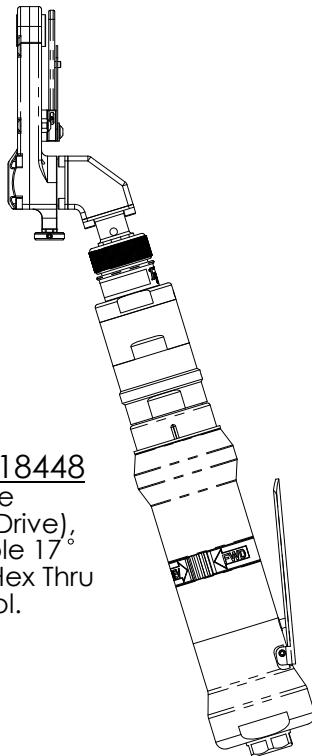




# KT 492

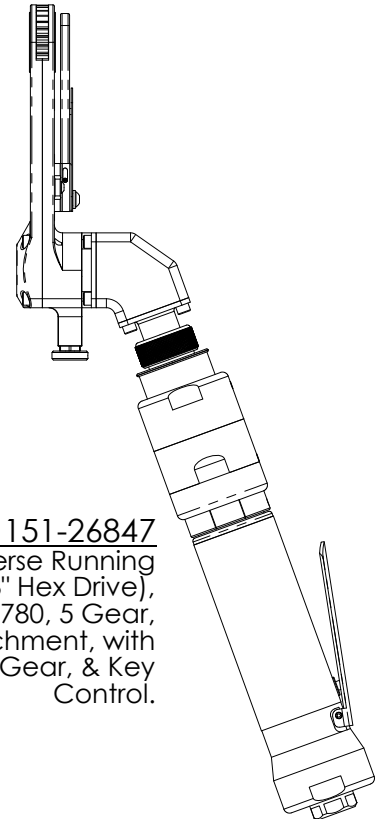
## JIFFY FLUSH EDDIE-BOLT<sup>®</sup> 2 REMOVAL KIT -5, -6, -8, -10, & -12

**FOR:**  
-5, -6, & -8



21544-19975-15894L-18448  
250 RPM, 0.9HP Reversible  
Straight Motor (1/4" Hex Drive),  
Series 3, 5 Gear, Indexable 17°  
Attachment, with 7/16" Hex Thru  
Nose Gear, & Key Control.

**FOR:**  
-10 & -12



20409-21256-21151-26847  
250 RPM, 1.5HP Reverse Running  
Straight Motor (3/8" Hex Drive),  
Series 4 "Wide" R.780, 5 Gear,  
Indexable 20° Attachment, with  
7/8" Hex Thru Nose Gear, & Key  
Control.

Jiffy Spline Keys\* :

- 24550 = -5 Spline X FLUSH JIFFY KEY
- 24161 = -6 Spline X FLUSH JIFFY KEY
- 24162 = -8 Spline X FLUSH JIFFY KEY
- 24553 = -10 Spline X FLUSH JIFFY KEY
- 24554 = -12 Spline X FLUSH JIFFY KEY

Collar Removal Inserts (1 EA.):

- 23921 = FLUSH SAVI-21 INSERT
- 23924 = FLUSH SAVI-24 INSERT
- 23932 = FLUSH SAVI-32 INSERT
- 23933 = FLUSH SAVI-33 INSERT
- 23939 = FLUSH SAVI-39 INSERT
- 23950 = FLUSH SAVI-50 INSERT

\* Jiffy Spline Keys Include (5) of each P/N shown.

PACKAGED INSIDE:

18032 - Black Case

INCLUDED ACCESSORIES:

- 22943 - Snap Ring Pliers
- 24155 - Snap Ring Pliers
- 15040 - Snap Ring - Qty: 10
- 18709 - Snap Ring - Qty: 10
- 26860 - Snap Ring - Qty: 10
- 17391 - Kit Accessory Box
- 21484 - Vinyl Protective Cover

"EDDIE-BOLT" IS A REGISTERED TRADEMARK OF  
HOWMET AEROSPACE INC. AND ITS SUBSIDIARIES.  
JIFFY AIR TOOL INC. IS NOT AFFILIATED  
WITH HOWMET AEROSPACE INC.



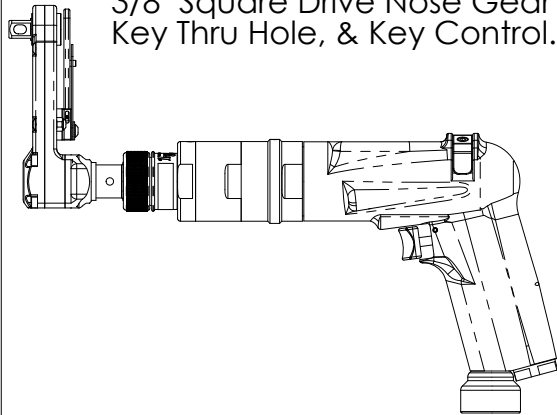
# KT 493

## JIFFY MODULAR EDDIE-BOLT<sup>®</sup> 2 REMOVAL KIT -5, -6, -8, -10, & -12

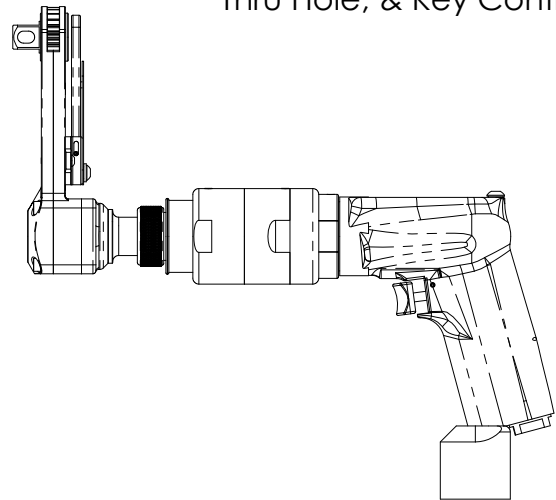
**FOR:**  
-5, -6, & -8

**FOR:**  
-10 & -12

21546-18963-21494-18448  
250 RPM, 0.9HP Reversible Offset  
Motor (1/4" Hex Drive),  
Series 3, 5 Gear L-Type Attachment,  
3/8" Square Drive Nose Gear with  
Key Thru Hole, & Key Control.



20411-19999-26837-18705  
250 RPM, 1.5HP Reverse Running  
Offset Motor (3/8" Hex Drive),  
Series 4 R.640, 5 Gear L-Type Attachment,  
1/2" Square Drive Nose Gear with Key  
Thru Hole, & Key Control.



Jiffy Spline Keys\*:

- 26030 = -5 Spline x 1.115" Extension Jiffy Key
- 24540 = -5 Spline x 1.5" Extension Jiffy Key
- 24541 = -6 Spline x 1.5" Extension Jiffy Key
- 26032 = -6 Spline x 1.115" Extension Jiffy Key
- 24542 = -8 Spline x 1.5" Extension Jiffy Key
- 26034 = -8 Spline x 1.115" Extension Jiffy Key
- 26842 = -10 Spline x 1.115" Extension Jiffy Key
- 24223 = -12 Spline x 1.5" Extension Jiffy Key

Collar Removal Sockets\*\*:

- 22621 = SAVI SOCKET - 21A
- 22624 = SAVI SOCKET - 24A
- 22624X = SAVI SOCKET - 24A Shortened
- 22632 = SAVI SOCKET - 32A
- 22633X = SAVI SOCKET - 33A Shortened
- 26840X = SAVI SOCKET - 39 Shortened
- 26845 = SAVI SOCKET - 50

\* Jiffy Spline Keys Include (5) of each P/N shown.  
\*\* Sockets include (1) of each P/N shown.

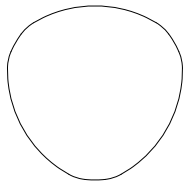
PACKAGED INSIDE:

18032 Black Case

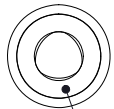
INCLUDED ACCESSORIES:

- 17391 - Kit Accessory Box
- 23272 - Socket Holding Assy.
- 21413 - Vinyl Protective Cover, Red
- 22427 - Vinyl Protective Cover, Red

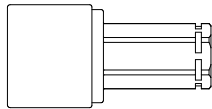
"EDDIE-BOLT" IS A REGISTERED TRADEMARK OF  
HOWMET AEROSPACE INC. AND ITS SUBSIDIARIES.  
JIFFY AIR TOOL INC. IS NOT AFFILIATED  
WITH HOWMET AEROSPACE INC.



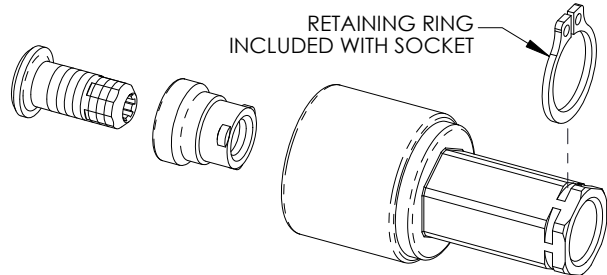
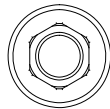
# TRI-RAD SOCKETS - OEM CROSSOVER -



TRI-RAD  
CARBIDE  
INSERT



NOTE: SOCKET APPEARANCE MAY DIFFER  
DEPENDING ON COMPATIBLE MODEL



RETAINING RING  
INCLUDED WITH SOCKET

**COMPATIBLE MODELS:**

ETL1108, ETL1129, ETL1110, ETL1111, ETL1117, ETL3108,  
ETL3129, ETL3110, ETL3111, ETL3118

FASTENER DIAM.	SOCKET LENGTH	OEM PART #	JIFFY PART #	RING PART #
-5	1/2"	463-9001	24677	16020
	1.0"	463-9002	24678	
	1.5"	NAF	26496	
	2.0"	463-9004	24679	
	3.0"	463-9006	24680	
-6	1/2"	463-9011	24682	
	1.0"	463-9012	24683	
	2.0"	463-9014	24684	
	3.0"	463-9016	24685	
-8	1/2"	463-9021	24687	
	1.0"	463-9022	24688	
	2.0"	463-9024	24689	
	3.0"	463-9026	24690	

**COMPATIBLE MODELS: ET3472A, ET3492A**

FASTENER DIAM.	SOCKET LENGTH	OEM PART #	JIFFY PART #	RING PART #
-10	5/8"	463-9131	24697	18709
	1.0"	463-9132	24698	
	2.0"	463-9134	24699	
	3.0"	463-9136	24700	
-12	5/8"	463-9141	24702	
	1.0"	463-9142	24703	
	2.0"	463-9144	24704	
	3.0"	463-9146	24705	

**COMPATIBLE MODELS: ETL1115**

FASTENER DIAM.	SOCKET LENGTH	OEM PART #	JIFFY PART #
-5	1/2"	463-9051	24800
	1.0"	463-9052	24801
	2.0"	463-9054	24802
	3.0"	463-9056	24803
-6	1/2"	463-9061	24804
	1.0"	463-9062	24805
	2.0"	463-9064	24806
	3.0"	463-9066	24807

**COMPATIBLE MODELS: ET1115**

FASTENER DIAM.	SOCKET LENGTH	OEM PART #	JIFFY PART #
-8	1/2"	463-9021	24808
	1.0"	463-9022	24809
	2.0"	463-9024	24810
	3.0"	463-9026	24811

**COMPATIBLE MODELS: ET1015, ET1020**

FASTENER DIAM.	SOCKET LENGTH	OEM PART #	JIFFY PART #
-10	5/8"	463-9161	24692
	1.0"	463-9162	24693
	2.0"	463-9164	24694
	3.0"	463-9166	24695

**COMPATIBLE MODELS: ET(L)2000, ET2000**

FASTENER DIAM.	SOCKET LENGTH	OEM PART #	JIFFY PART #
-5	2.0"	463-9600	24812
	3.0"	463-9601	24813
-6	2.0"	463-9602	24814
	3.0"	463-9603	24815
-8	2.0"	463-9604	24816
	3.0"	463-9605	24817

**COMPATIBLE MODELS: ET3100B08(\*)08SPK**

FASTENER DIAM.	SOCKET LENGTH	OEM PART #	JIFFY PART #
-8	5/8"	463-9121	24818
	1.0"	463-9122	24819
	2.0"	463-9124	24820
	3.0"	463-9126	24821

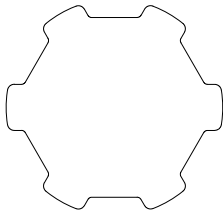
**COMPATIBLE MODELS: ET3100B10(\*)10SPK**

FASTENER DIAM.	SOCKET LENGTH	OEM PART #	JIFFY PART #
-10	5/8"	463-9111	24822
	1.0"	463-9112	24823
	2.0"	463-9114	24824
	3.0"	463-9116	24825

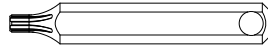
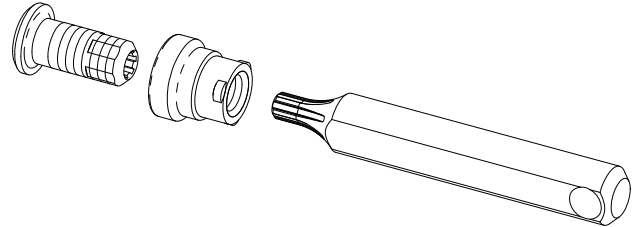
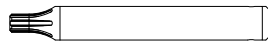
**COMPATIBLE MODELS: ET3100B12(\*)SPK**

FASTENER DIAM.	SOCKET LENGTH	OEM PART #	JIFFY PART #
-12	1.0"	463-9101	24826
	2.0"	463-9104	24827
	3.0"	463-9106	24828





# SPLINE KEYS - OEM CROSSOVER -



NOTE: KEY APPEARANCE MAY DIFFER  
DEPENDING ON COMPATIBLE MODEL

**COMPATIBLE MODELS:** ETL1108, ETL1129, ETL1110,  
ETL1111, ETL3108, ETL3129, ETL3110, ETL3111, ETL1115, ETL1117

FASTENER DIA.	SOCKET LENGTH	OEM PART #	JIFFY PART #
-5	FLUSH	493-9201	24635
	1/2"	493-9001	24636
	1.0"	493-9002	24637
	1.5"	NAF	26495
	2.0"	493-9004	24638
-6	FLUSH	493-9202	24640
	1/2"	493-9011	24641
	1.0"	493-9012	24642
	2.0"	493-9014	24643
	3.0"	493-9016	24644
-8	FLUSH	493-9203	24645
	1/2"	493-9021	24646
	1.0"	493-9022	24647
	2.0"	493-9024	24648
	3.0"	493-9026	24649

**COMPATIBLE MODELS:** ET3472, ET3492

FASTENER DIA.	SOCKET LENGTH	OEM PART #	JIFFY PART #
-10	FLUSH	493-9204	24650
	5/8"	493-9131	24667
	1.0"	493-9132	24668
	2.0"	493-9134	24669
	3.0"	493-9136	24670
-12	5/8"	493-9141	24672
	1.0"	493-9142	24673
	2.0"	493-9144	24674
	3.0"	493-9146	24675

**COMPATIBLE MODELS:** ET1015, ET1020

FASTENER DIA.	SOCKET LENGTH	OEM PART #	JIFFY PART #
-10	FLUSH	493-9204	24650
	5/8"	493-9161	24651
	1.0"	493-9162	24652
	2.0"	493-9164	24653
	3.0"	493-9166	24654

**COMPATIBLE MODELS:** ET3100

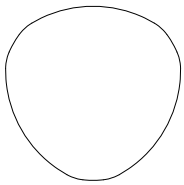
FASTENER DIA.	SOCKET LENGTH	OEM PART #	JIFFY PART #
-10	5/8"	493-9111	24656
	1.0"	493-9112	24657
	2.0"	493-9114	24658
	3.0"	493-9116	24659
-12	5/8"	493-9102	24661
	1.0"	493-9101	24662
	2.0"	493-9104	24663
	3.0"	493-9106	24664

**COMPATIBLE MODELS:** ET(L)2000, ET2000

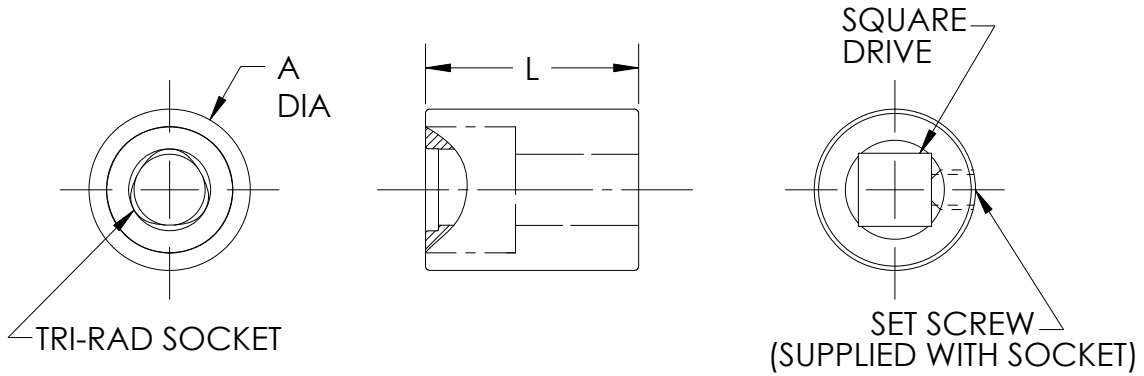
FASTENER DIA.	SOCKET LENGTH	OEM PART #	JIFFY PART #
-5	2.0"	493-9600	24790
	3.0"	493-9601	24791
-6	2.0"	493-9602	24792
	3.0"	493-9603	24793
-8	2.0"	493-9604	24794
	3.0"	493-9605	24795

**COMPATIBLE MODELS:** ET3100B08(\*)08SPK

FASTENER DIA.	SOCKET LENGTH	OEM PART #	JIFFY PART #
-8	5/8"	493-9121	24796
	1.0"	493-9122	24797
	2.0"	493-9124	24798
	3.0"	493-9126	24799



# SOCKETS FOR ROLLER WRENCHES - OEM CROSSOVER -



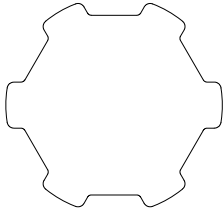
Fastener Dia	"A" Dia. Ref.	"L" Ref.	Ext'd Length	Square Drive Ref.	OEM Socket Part #	Jiffy Socket Part #	Compatible Roller Wrench*
-5	0.53	0.74	Standard	1/4"	EB2T4020-5	26990	RWB100-40 OR RWB100-80
-5	0.53	1.74	1.0"	1/4"	EB2T4020-5-1	26991	
-5	0.53	3.74	3.0"	1/4"	EB254020-5-3	26993	
-6	0.56	0.74	Standard	1/4"	EB2T4020-6	26994	RWB100-80
-6	0.56	1.74	1.0"	1/4"	EB2T4020-6-1	26995	
-6	0.56	3.74	3.0"	1/4"	EB2T4020-6-3	26997	
-8	0.72	0.79	Standard	5/16"	EB254020-8-2	26998	RWB100-130-312
-8	0.72	1.79	1.0"	5/16"	EB2T4020-8-2-1	26999	
-8	0.72	2.79	2.0"	5/16"	EB2T4020-8-2-2	27000	
-8	0.72	3.79	3.0"	5/16"	EB2T4020-8-2-3	27001	RWB100-400
-10	0.77	1.03	Standard	3/8"	EB2T4020-10	27002	
-10	0.77	2.03	1.0"	3/8"	EB2T4020-10-1	27003	
-10	0.77	4.03	3.0"	3/8"	EB2T4020-10-3	27005	
-12	0.89	1.24	Standard	3/8"	EB2T4020-12	27006	
-12	0.89	2.24	1.0"	3/8"	EB2T4020-12-1	27007	
-12	0.89	4.24	3.0"	3/8"	EB2T4020-12-3	27009	

\*WRENCHES NOT AVAILABLE FROM JIFFY

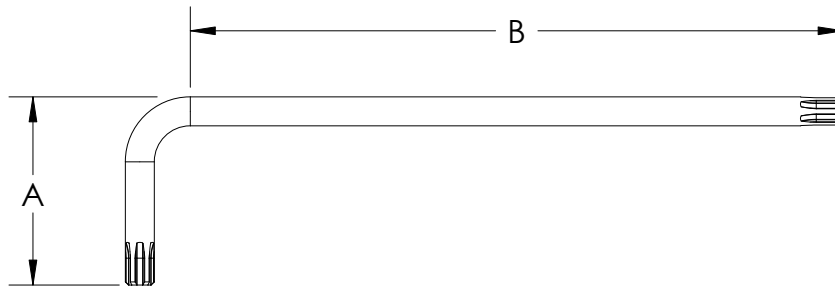
Note:

The nature of the installation of the Eddie-Bolt® system results in a large drop in installation torque wrench forces as the installation is completed. Care should be exercised to avoid injury during manual installations as a result of this drop in resistance.

"EDDIE-BOLT" IS A REGISTERED TRADEMARK OF HOWMET AEROSPACE INC. AND ITS SUBSIDIARIES. JIFFY AIR TOOL INC. IS NOT AFFILIATED WITH HOWMET AEROSPACE INC.



# "L" SPLINE KEYS - OEM CROSSOVER -



Dia.	"A" Ref.	"B" Ref.	OEM Part #	Jiffy Part #
-5	0.80	3.50	SPK650-5-1	27117
-5	1.04	3.50	SPK650-5-2	27118
-5	2.51	2.77	SPK650-5-4	27119
-6	0.80	3.50	SPK650-6-1	27120
-6	1.07	3.50	SPK650-6-2	27121
-6	1.75	3.50	SPK650-6-4	27122
-8	0.98	3.40	SPK650-8-1	27123
-8	1.23	3.60	SPK650-8-2	27124
-8	0.56	3.78	SPK650-8-3	27125
-8	1.75	3.40	SPK650-8-4	27126
-10	1.25	3.22	SPK650-10-1	27127
-10	1.00	3.75	SPK650-10-2	27128
-12	1.25	3.50	SPK650-12-1	27129

Caution: L keys to be used with hand installation tools only

## JIFFY AIR TOOL

### General Safety Information



#### 7.2.2.3 GENERAL SAFETY RULES

- Multiple hazards. Read and understand the safety instructions before installing, operating, repairing, maintaining, changing accessories on, or working near the power tool. Failure to do so can result in serious bodily injury.
- Only qualified and trained operators should install, adjust or use the power tool.
- Do not modify this power tool. Modifications may reduce the effectiveness of safety measures and increase the risks to the operator.
- Do not discard the safety instructions – give them to the operator.
- Do not use a tool if the tool has been damaged.
- Warnings shall be given against the risk of explosion or fire due to the material being processed;
- Warnings shall be given against the risk of cutting.



#### 7.2.2.4 PROJECTILE HAZARDS

- Failure of the work piece, of accessories, or even of the tool itself may generate high velocity projectiles.
- Always wear impact-resistant eye protection during operation of the tool. The grade of protection required should be assessed for each use.



#### 7.2.2.5 ENTANGLEMENT HAZARDS

- Entanglement hazard - choking, scalping and/or lacerations can occur if neck ware, hair or gloves are not kept away from tool and accessories.



#### 7.2.2.6 OPERATING HAZARDS

- Use of the tool may expose the operator's hands to hazards including crushing, impacts, cuts and abrasions and heat. Wear suitable gloves to protect hands.
- Operators and maintenance personnel must be physically able to handle the bulk, weight and power of the tool.
- Hold the tool correctly: be ready to counteract normal or sudden movements – have both hands available.
- Maintain a balanced body position and secure footing.
- Keep hands away from rotating or reciprocation accessories, spindles or other moving parts.
- Release the start and stop device in the case of an interruption of the energy supply
- Use only lubricants recommended by the manufacturer.



#### 7.2.2.7 REPETITIVE MOTIONS HAZARDS

- When using a power tool, you may experience discomfort in your hands, arms, shoulders, neck, or other parts of your body.
- While using a power tool, position your body in a comfortable posture. Maintain secure footing and avoid awkward or off-balanced postures. Changing your posture during extended tasks may help avoid discomfort and fatigue.
- If you experience symptoms such as persistent or recurring discomfort, pain, throbbing, aching, tingling, numbness, burning sensation, or stiffness, do not ignore these warning signs. Promptly tell your employer and consult a qualified health professional.



#### 7.2.2.9 WORKPLACE HAZARDS

- Slips, trips and falls are major causes of workplace injury. Be aware of slippery surfaces caused by use of the tool and also of trip hazards caused by the air line or hydraulic hose.
- Proceed with care in unfamiliar surroundings. Hidden hazards may exist, such as electricity or other utility lines.
- This power tool is not intended for use in potentially explosive atmospheres and is not insulated from coming into contact with electric power.
- Make sure there are no electrical cables, gas pipes etc. that could cause a hazard if damaged by use of the tool.



**WARNING:** THIS PRODUCT CAN EXPOSE YOU TO CHEMICALS, INCLUDING LEAD, WHICH IS KNOWN TO THE STATE OF CALIFORNIA TO CAUSE CANCER AND BIRTH DEFECTS OR OTHER REPRODUCTIVE HARM. For more information go to [www.P65Warnings.ca.gov](http://www.P65Warnings.ca.gov)

**ADVERTENCIA:** ESTE PRODUCTO PUEDE EXPONERLO A SUSTANCIAS QUÍMICAS, ENTRE ELLAS PLOMO, QUE EL ESTADO DE CALIFORNIA RECONOCE COMO CAUSANTE DE CÁNCER, MALFORMACIONES CONGÉNITAS U OTROS DAÑOS AL SISTEMA REPRODUCTOR. Para más información, visita [www.P65Warnings.ca.gov](http://www.P65Warnings.ca.gov)



**WARNING:** Drilling, sawing, sanding or machining wood products can expose you to wood dust, a substance known to the State of California to cause cancer. Avoid inhaling wood dust or use a dust mask or other safeguards for personal protection. For more information go to [www.P65Warnings.ca.gov/wood](http://www.P65Warnings.ca.gov/wood).



#### 7.2.2.11 NOISE HAZARDS

- Unprotected exposure to high noise levels can cause permanent, disabling, hearing loss and other problems such as tinnitus (ringing, buzzing, whistling or humming in the ears);
- Risk assessment of these hazards and implementation of appropriate controls of is essential.
- Appropriate controls to reduce the risk may include actions such as damping materials to prevent work pieces from 'ringing'
- Use hearing protection as instructed by your employer or as required by occupational health and safety regulations;
- Operate and maintain the power tool as recommended in these instructions, to prevent an unnecessary increase in noise levels;
- Select, maintain and replace the consumable/inserted tool as recommended in these instructions, to prevent an unnecessary increase in noise.



#### 7.2.2.12 VIBRATION HAZARDS

- Exposure to vibration can cause disabling damage to the nerves and blood supply of the hands and arms;
- Wear warm clothing when working in cold conditions and keep your hands warm and dry;
- If you experience numbness, tingling, pain or whitening of the skin in your fingers or hands, stop using the power tool, and tell your employer. You should also seek medical advice from a qualified occupational health professional.
- Operate and maintain the power tool as recommended in these instructions, to prevent an unnecessary increase in vibration;
- Select, maintain and replace the consumable/inserted tool as recommended in these instructions, to prevent an unnecessary increase in vibration levels;
- Support the weight of the tool in a stand, tensioner or balancer, because the operator can then use a lighter grip to support the tool.
- Hold the tool with a light but safe grip taking account of the required hand reaction forces, because the risk from vibration is generally greater when the grip force is higher.

#### 7.2.3 ADDITIONAL SAFETY INSTRUCTIONS FOR PNEUMATIC POWER TOOLS - AIR SUPPLY & CONNECTION HAZARDS

- Air under pressure can cause severe injury.
- Always shut off air supply, drain hose of air pressure and disconnect tool from air supply when not in use, before changing accessories or when making repairs.
- Never direct air at yourself or anyone else.
- Whipping hoses can cause severe injury. Always check for damaged or loose hoses and fittings.
- Whenever universal twist couplings (claw couplings) are used, lock pins must be installed.
- Do not exceed the maximum air pressure stated on the tool.
- Use whip check safety cables to safeguard against possible hose to tool and hose to hose connection failure.
- Never carry an air tool by the hose.





# Applifast.



251 Cree Crescent, Winnipeg, MB Canada R3J 3X4  
Tel: 204 837 8361 • 1 800 563 1293  
info@applifast.com



[applifast.com](http://applifast.com)