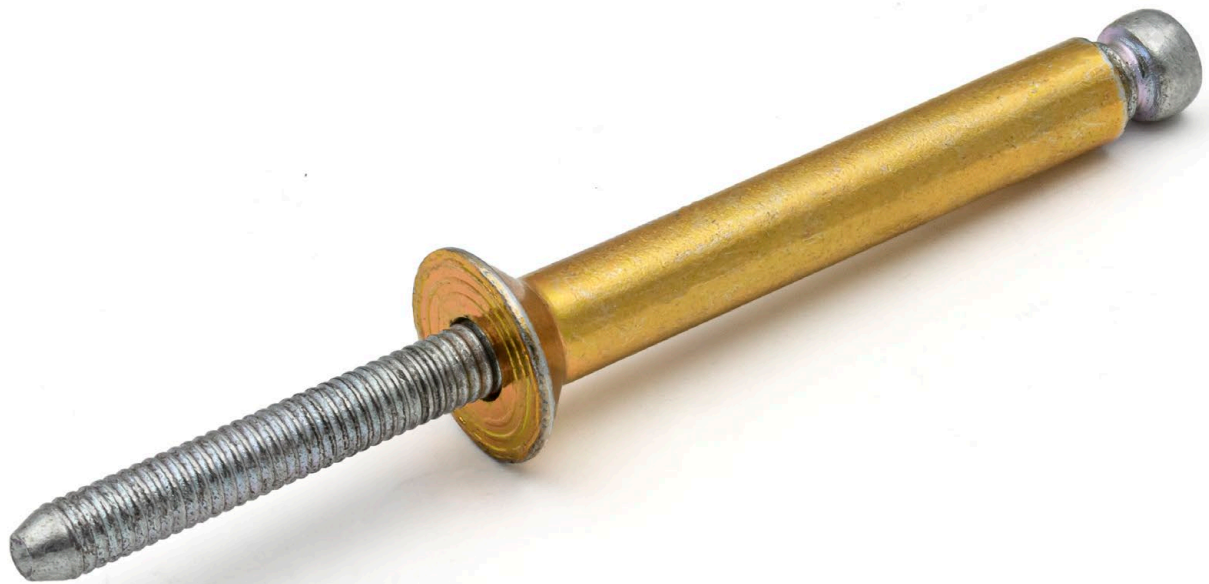




**HOWMET  
AEROSPACE**

# FloorTight<sup>®</sup>

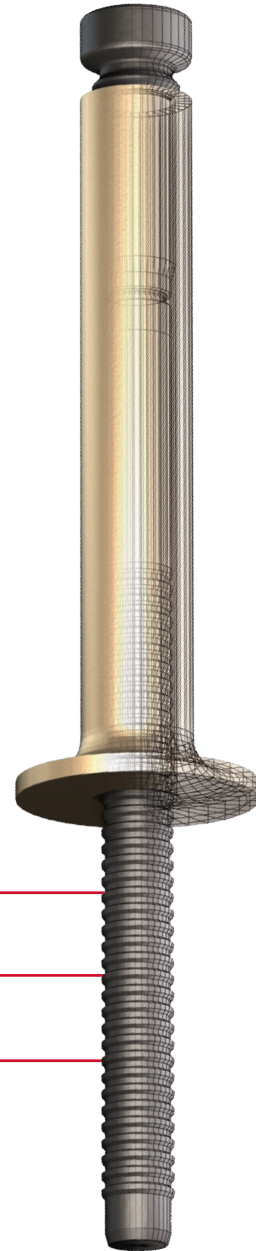
Designed for  
Plywood and Plymetal  
Floor Applications



# Huck® FloorTight®

The Only Controlled, Self-Countersinking Blind Fastener Commercially Available

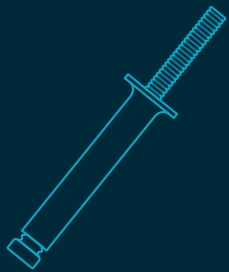
Originally designed for large vehicle flooring installations, Huck® FloorTight® is ideal for all wood-to-metal applications, especially plywood and plymetal. FloorTight's self-countersinking head eliminates the secondary counterboring process in plywood, and eliminates dimpling in metals. Unlike screws that can be over-torqued or under-torqued, FloorTight ensures consistent, reliable installation every time.



**Available Sizes** 1/4", 5/16"

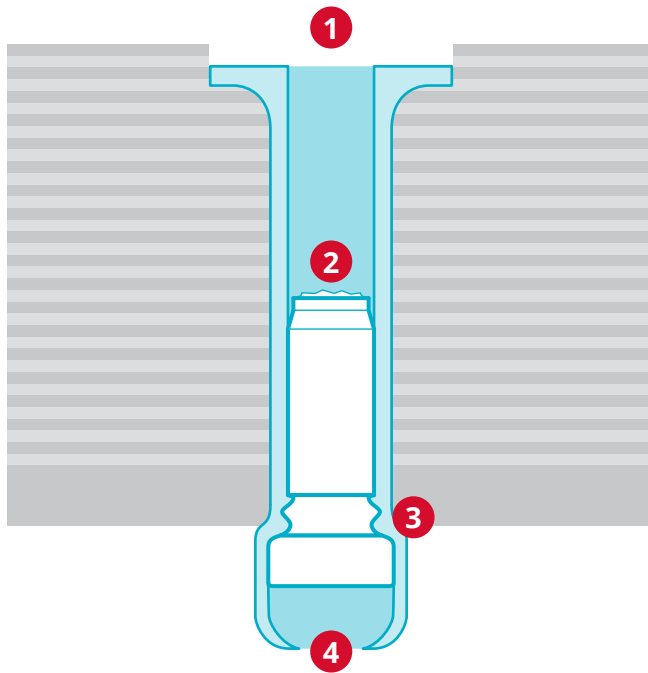
**Materials** Steel

**Headstyles** Standard, Wide Flange, Plymetal, 90° Flush

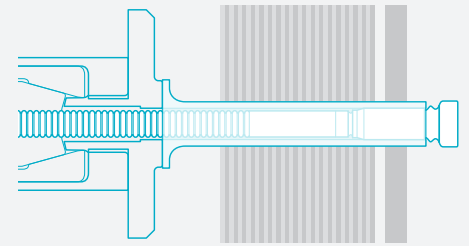


- ✓ Self-countersinking feature
- ✓ Watertight
- ✓ Large grip range
- ✓ Easy removal, no damage

## Secure, Fast Installation

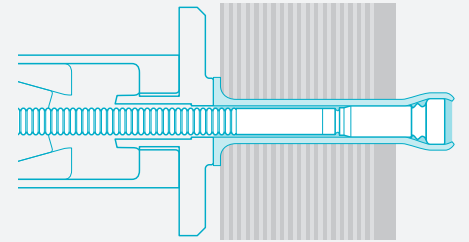


- 1 Self-countersinking head eliminates the counter-boring process in plywood, as well as dimpling in plymetal floors.
- 2 A high-strength pin locks in place within the shear plane for added holding power and durability.
- 3 360° internal locking feature creates a solid mechanical lock to prevent loosening.
- 4 Expansion within the weather-side stringer, coupled with the 360° internal lock provides excellent moisture resistance on the weather side.



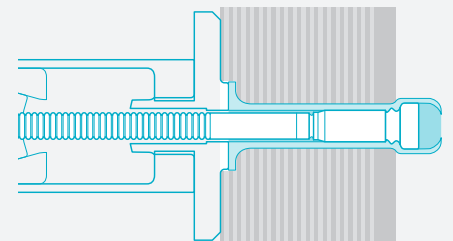
Insert fastener in hole. Apply installation tool.

1



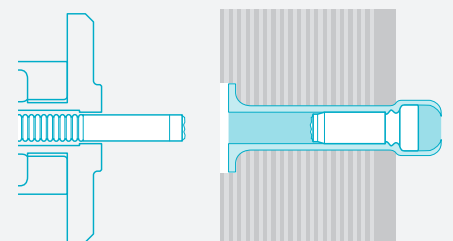
The Huck installation tool is placed over the pintail. When the trigger is pressed, the nose assembly jaws pull on the pintail, drawing the pin through the sleeve, causing the blind side sleeve to expand, partially setting the sleeve in the top sheet and pulling out all the sheet gap.

2



Continued pulling on the pintail forms a mechanical lock between the pin and sleeve end. The anvil on the installation tool then countersinks the fastener head into the top of the material to a preset depth set by the anvil. The anvil's large bearing face then prevents further travel of the sleeve head into the top material.

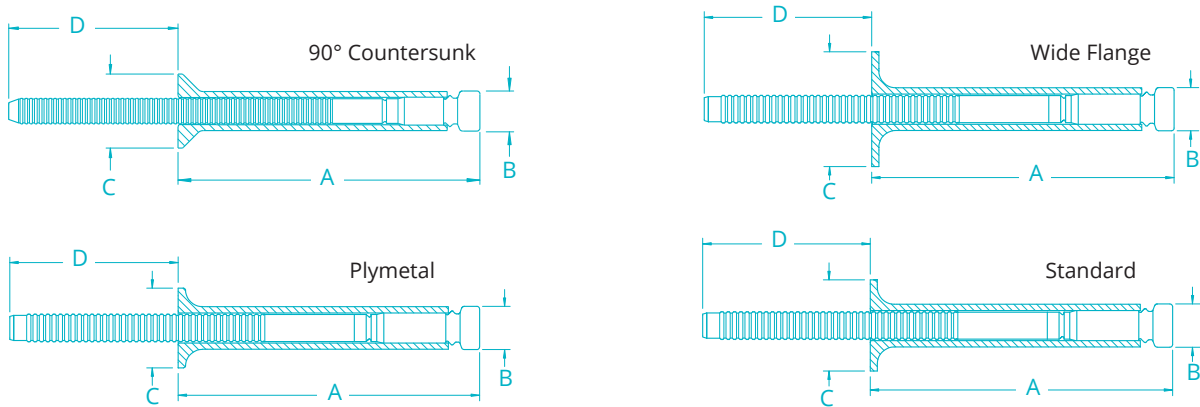
3



The pin is then separated in tension at the break neck groove.

4

# Data and Dimensions

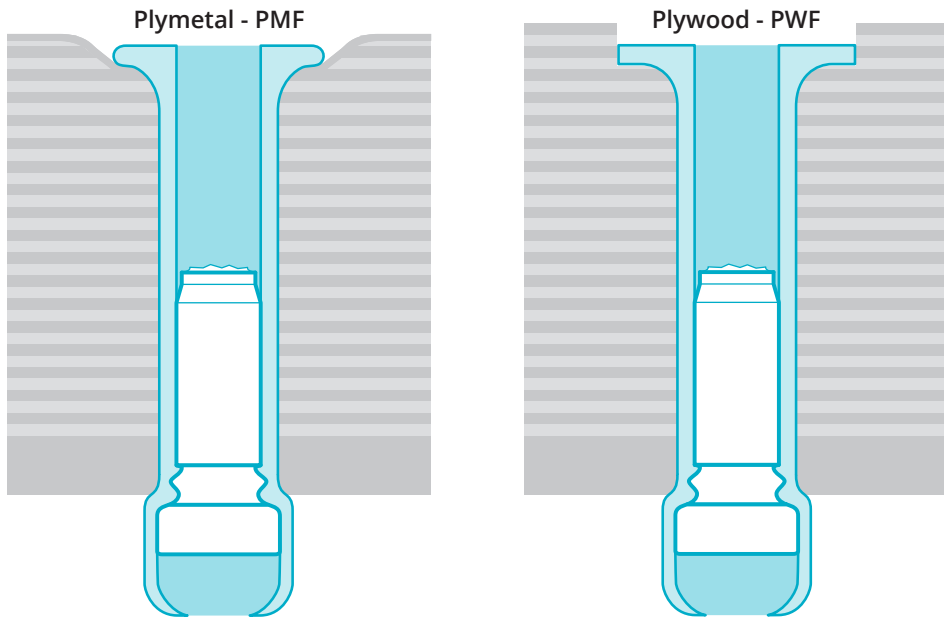


## FloorTight Dimensions

| DIA.                                    | PART NO.                 | GRIP RANGE  | A MAX | B MAX | C MIN | D MIN | COMPRESSION      |
|---|--------------------------|-------------|-------|-------|-------|-------|------------------|
| <b>Plywood Fastener - Standard Head</b> |                          |             |       |       |       |       |                  |
| 8<br>(1/4")                             | PWF-R8-20                | .750-1.375  | 2.000 | 0.260 | 0.610 | 1.100 | High             |
| 10<br>(5/16")                           | PWF-R10-20 <sup>1</sup>  | .750-1.375  | 2.125 | 0.325 | 0.650 | 1.000 | High             |
|   | PWF-R10-26 <sup>1</sup>  | .750-1.625  | 2.500 | 0.325 | 0.650 | 1.000 | High             |
|   | PWFMC-R10-20             | .750-1.375  | 2.125 | 0.325 | 0.650 | 1.000 | Medium           |
|   | PWFMC-R10-X24            | 1.150-1.625 | 2.500 | 0.325 | 0.650 | 1.000 | Medium           |
|   | PWFMC-R10-26             | .750-1.625  | 2.500 | 0.325 | 0.650 | 1.000 | Medium           |
|   | PWFMC-R10-20             | .750-1.375  | 2.125 | 0.325 | 0.650 | 1.000 | Low <sup>2</sup> |
| <b>Plywood Fastener - Wide Flange</b>   |                          |             |       |       |       |       |                  |
| 10<br>(5/16")                           | PFW-R10-20               | .750-1.375  | 2.125 | 0.325 | 0.850 | 1.000 | Standard         |
|   | PFWLC-R10-20             | .750-1.375  | 2.125 | 0.325 | 0.850 | 1.000 | Low <sup>2</sup> |
| <b>Plymetal Fastener</b>                |                          |             |       |       |       |       |                  |
| 10<br>(5/16")                           | PMF-R10-20               | .750-1.375  | 2.125 | 0.325 | 0.590 | 1.000 | Standard         |
|   | PMF-R10-26               | .750-1.625  | 2.500 | 0.325 | 0.590 | 1.000 | Standard         |
|   | PMFMC-R10-20             | .750-1.375  | 2.125 | 0.325 | 0.590 | 1.000 | Medium           |
| <b>90° Countersunk Head</b>             |                          |             |       |       |       |       |                  |
| 8<br>(1/4")                             | PWF90-R8-20 <sup>3</sup> | .750-1.375  | 2.000 | 0.260 | 0.465 | 1.100 | High             |

FloorTight fasteners may be available with a stainless steel sleeve. Please see us for details.

<sup>1</sup> For use in more dense plywood <sup>2</sup> Low-compression fasteners will not self-countersink for a flush installation. <sup>3</sup> For use in more dense plywood or plymetal



**Note:** The blind-side stringer must withstand force of fastener installation without pulling through the material. The manufacturer recommends a minimum of 1/8", however, stringers as thin as .100" may function properly under certain conditions. Fastener performance may vary depending on the grade of plywood.

### Installed Fastener Values (Typical)

| DIA.          | FASTENER | TENSILE | SHEAR* | PIN RETENTION |
|---------------|----------|---------|--------|---------------|
| 8<br>(1/4")   | PWF      | 2400    | 4000   | 200           |
|               | PWF90    | 2400    | 4000   | 200           |
| 10<br>(5/16") | PWF      | 3000    | 4300   | 500           |
|               | PFWW     | 3000    | 4300   | 500           |
|               | PWFMC    | 3000    | 4300   | 200           |
|               | PWFLC    | 2800    | 4300   | 200           |
|               | PFWWLC   | 2800    | 4300   | 200           |
|               | PMF      | 3000    | 4300   | 500           |
|               | PMFMC    | 3000    | 4300   | 200           |

\* With pin in shear plane

### Hole Preparation Data

| DIA.      | MIN  | MAX  | RECOMMENDED    |
|-----------|------|------|----------------|
| 8 (1/4)   | .261 | .272 | .266 (H Drill) |
| 10 (5/16) | .328 | .339 | .332 (Q Drill) |

### Material, Finish and Lubrication

| PART   | MATERIAL | FINISH                               | LUBRICATION |
|--------|----------|--------------------------------------|-------------|
| Sleeve | Steel    | Zinc electroplate with gold chromate | Dy film     |
| Pin    | Steel    | Black                                | Wax film    |

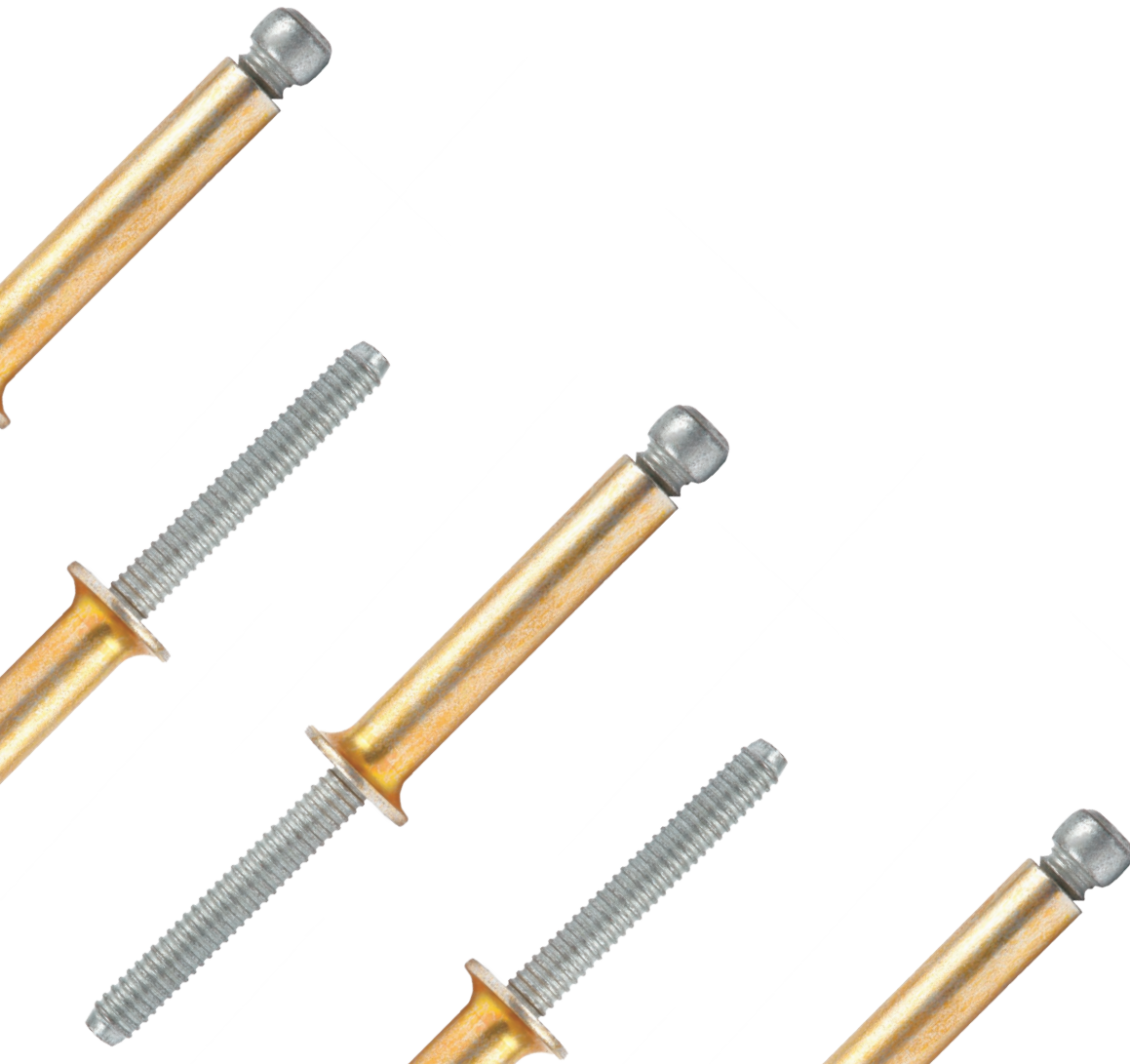


# Ordering Information

Follow the form below to construct a part number for ordering Huck FloorTight fasteners. Refer to the Grip Data chart for grip numbers. (Fastener Type) (Head Style) (Compression Level) - (Material) (Diameter) - (Grip Number)

**Example:** PFWWLC-R10-20 is a Plywood fastener, Wide Flange, Low Compression, Steel, 5/16" Diameter.

| FASTENER TYPE |     | HEAD STYLE      |    | COMPRESSION |    | MATERIAL |   | DIAMETER |    | GRIP NUMBER                              |
|---------------|-----|-----------------|----|-------------|----|----------|---|----------|----|--|
| Plywood       | PWF | Wide Flange     | W  | Medium      | MC | Steel    | R | 1/4"     | 8  | Please refer to the fasteners data chart |
| Plywood       | PMF | 90° Countersunk | 90 | Low         | LC |          |   | 5/16"    | 10 |  |

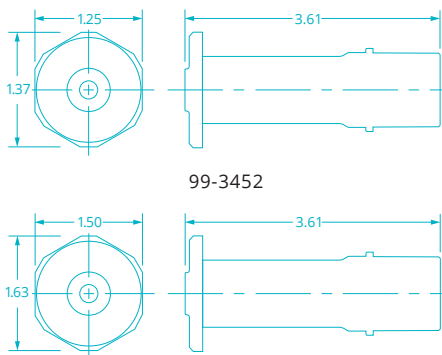


# Installation Tooling

## Installation Tools

| NOSE ASSEMBLY | SIZE  | PNEUDRAULIC |         | HYDRAULIC |
|---------------|-------|-------------|---------|-----------|
|               |       | TOOL MODEL  |         |           |
|               |       | 255*        | 256     | 2480      |
|               | 1/4"  | 99-3441     | 99-3441 | 99-3441   |
|               | 5/16" | 99-3452     | 99-3452 | 99-3452   |

\* .625" stroke may be insufficient for some applications



## Tooling Weight and Dimensions

| MODEL | TYPE        | WEIGHT    | LENGTH | HEIGHT | WIDTH |
|-------|-------------|-----------|--------|--------|-------|
| 255   | Pneudraulic | 8.8 lbs   | 7.1"   | 14.9"  | 4.6"  |
| 256   | Pneudraulic | 12.30 lbs | 8.37"  | 4.63"  | 2.25" |
| 2580  | Hydraulic   | 6.6 lbs   | 8.4"   | 6.5"   | 2.2"  |

## POWERIG® Hydraulic Units

Huck hydraulic units provide pressurized hydraulic fluid for installation tools. The Model 940 is a mid-sized unit designed for production and repair applications. For more demanding production choose the Model 918, it can power up to three tools with no performance loss. Both of these units are electrically powered. Hose kits are available in lengths of 12' to 52'.





**HOWMET  
AEROSPACE**

# Howmet Fastening Systems

## Industrial Division Brands



Huck, Marson, Recoil, Keysert, Camloc, Simmonds and Snep are trademarks of Howmet Aerospace Inc. and/or its subsidiaries.

The information contained in this publication is only for general guidance, and is not intended to create any warranty, express, implied, or statutory; all warranties are contained only in Howmet Fastening Systems' written quotations, acknowledgments, and/or purchase orders. It is recommended that the user secure specific, up-to-date data and information regarding each application and/or use of such products.

© 2020 Howmet Aerospace Inc. All rights reserved. HFS6861 0420  
FloorTight and Powerig are trademarks of Howmet Aerospace Inc. and/or its subsidiaries.







Distributed by

# Applifast.

*We are committed.*



**Contact Applifast**

251 Cree Crescent

Winnipeg, MB

Canada R3J 3X4

Tel: 204 837 8361 • 1 800 563 1293

Fax: 204 837 3520 • 1 800 974 1494

info@applifast.com



[applifast.com](http://applifast.com)