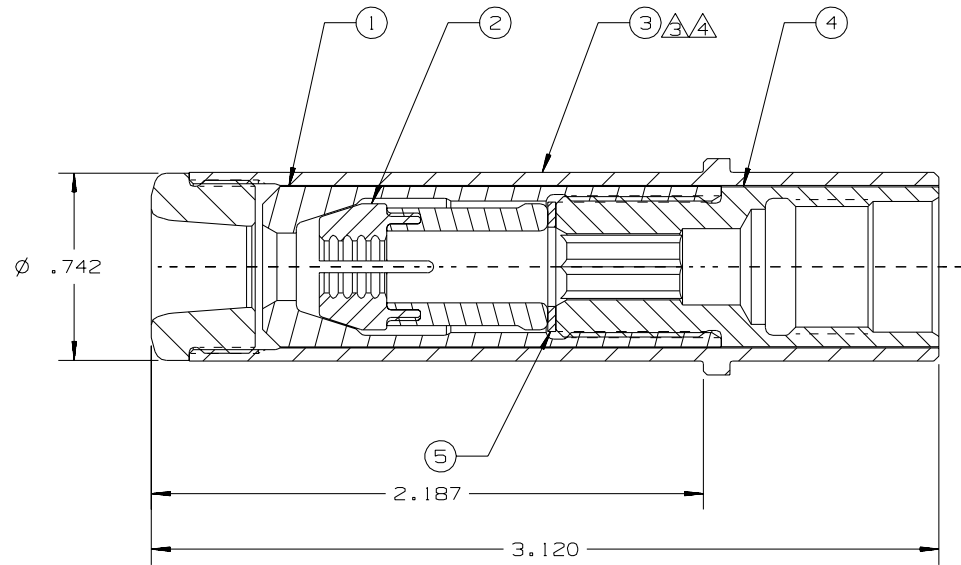
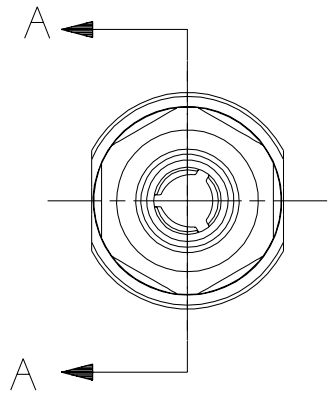




REV	DESCRIPTION	DATE
J	MODELED IN UG	07/17/06

NOTES:

- 1 SHIP WITH O-RING P/N 500778
- 2 BEFORE ATTACHING NOSE ASSEMBLY TO TOOL, INSTALL SUPPLIED O-RING ON TO THREAD RELIEF OF PULL PISTON
- △ ANVIL ASSEMBLY 120648 CONSISTS OF:
 120636 ANVIL HOLDER AND
 120625 ANVIL INSERT
 BOTH ARE AVAILABLE INDIVIDUALLY.
- △ ANVIL INSERT WRENCH 125400 IS OPTIONALLY AVAILABLE.



SECTION A - A

127776	1	SPACER	5
124360	1	EXTENSION	4
120648	1	ANVIL ASSEMBLY	3
127330	1	UNITIZED CHUCK JAWS	2
124604	1	COLLET	1
PART NO.	QTY.	DESCRIPTION	ITEM

HUCK INTERNATIONAL, INC., I.S.D.
 1 CORPORATE DR., P.O. BOX 2270
 KINGSTON, NEW YORK 12401

NOSE ASSEMBLY
 -08 MG

DET: JLK DK: DATE: 05/05/05 SCALE: 2:1

FOC. FAC. **B** **99-3204**