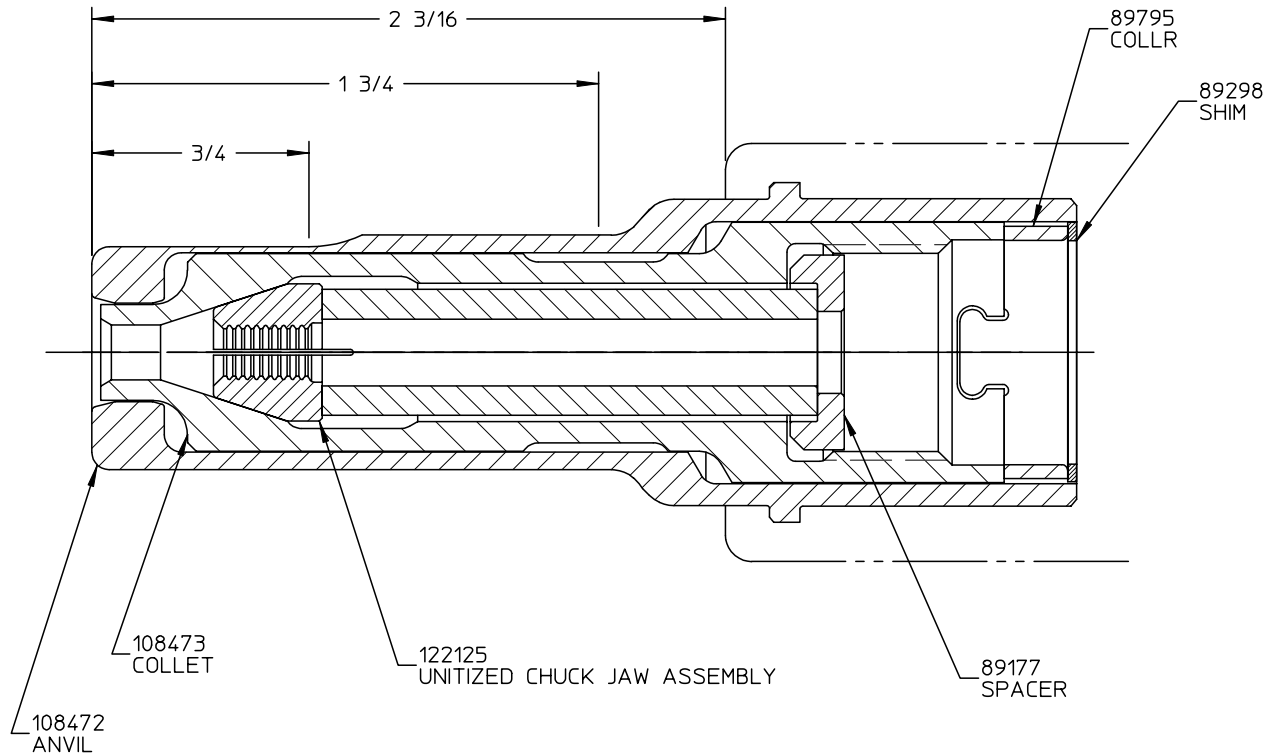
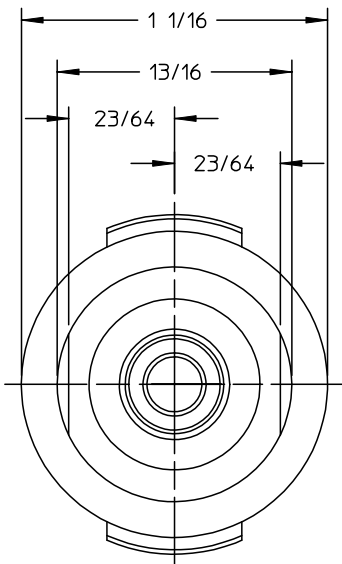




**Alcoa  
Fastening  
Systems**



## DATA SHEET



<b>99-830</b>	<b>Alcoa Fastening Systems</b> Commercial Products 1 Corporate Drive, Kingston, NY 12401	
	NOSE TYPE:	NON-Self-RELEASING
	FASTENER TYPE:	-08 BOM
	TOOL(S):	353
	Notes: FILE OBSOLETE SUPERSEDED BY: 99-830-1	Product Revision: <b>H</b>
US Patent:	Date: 06/10/03	

NOTES:  
 1 SHIP WITH P/N 114431 PINTAIL TUBE.