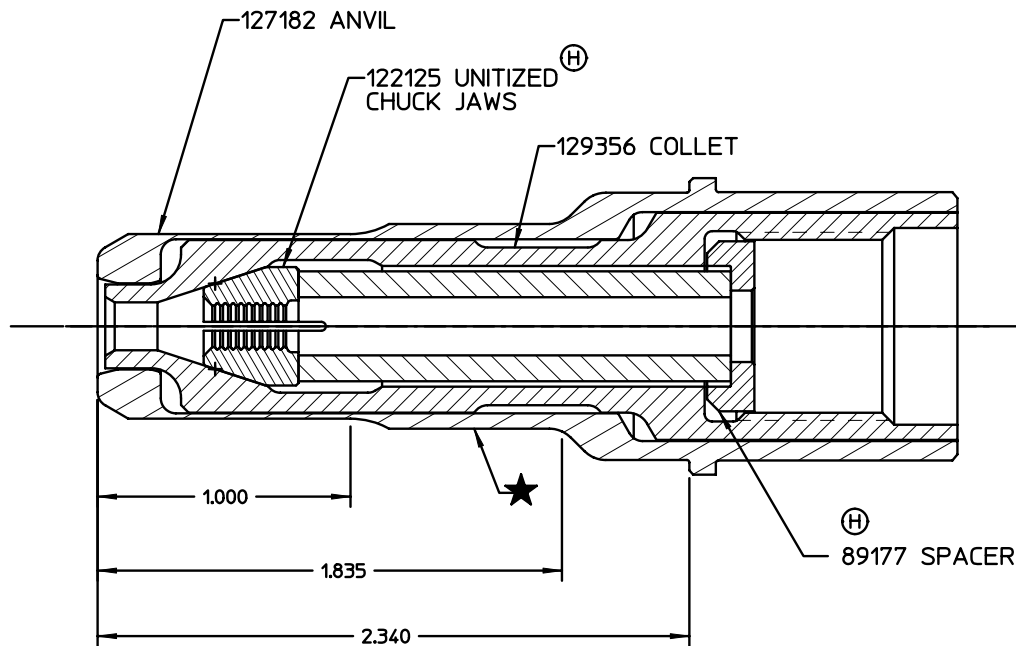
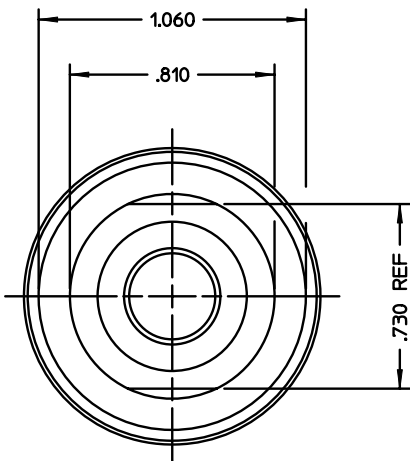




NOTES:

1 SHIP WITH P/N 114431 PINTAIL TUBE.

REV	DESCRIPTION	DATE
G	REDESIGNED NOSE ASSEMBLY	10/22/09
H	122125 UNITIZED JAWS WAS 129358 ADDED 89177 SPACER	11/11/09



FORM KE104 REV D		By accepting this proprietary Huck drawing, recipient agrees not to reproduce or disclose any part thereof to any others without the written permission of Huck International, Inc.			
ITAR:	ECCN: EAR99	SCH B#:	8467.99.0190		HTS: 8467.99.0190
MATERIAL:	SPEC:	TOLERANCES UNLESS OTHERWISE SPECIFIED:		HUCK INTERNATIONAL, INC., I.S.D.	
HARDNESS:	(RAW OR STOCKED STATE)	(ALL DIMENSIONS ARE IN INCHES)		1 CORPORATE DRIVE, P.O. BOX 2270	
HEAT TREAT TO:	SPEC:	.XX, .XXX ±	.01, .005	KINGSTON, NEW YORK 12401	
SURFACE TREAT:	SPEC:	INT. COR. RADII	.005-.015	NOSE ASSEMBLY	
SURFACE FINISH NOT TO EXCEED:	125 Ra	BREAK EDGES	.005-.015	DET: CHR	CK:
IDENTIFICATION PER SPEC 42-311:	★ PERMANENT	ANGLES ±	3°	DATE:	10/22/09
SURFACES TO BE	○, //, ⊕, ⊥, & □ WITHIN .005 T.I.R.	FINAL ASSY:	245,353,2580	SCALE:	2:1
				B	99-830-1