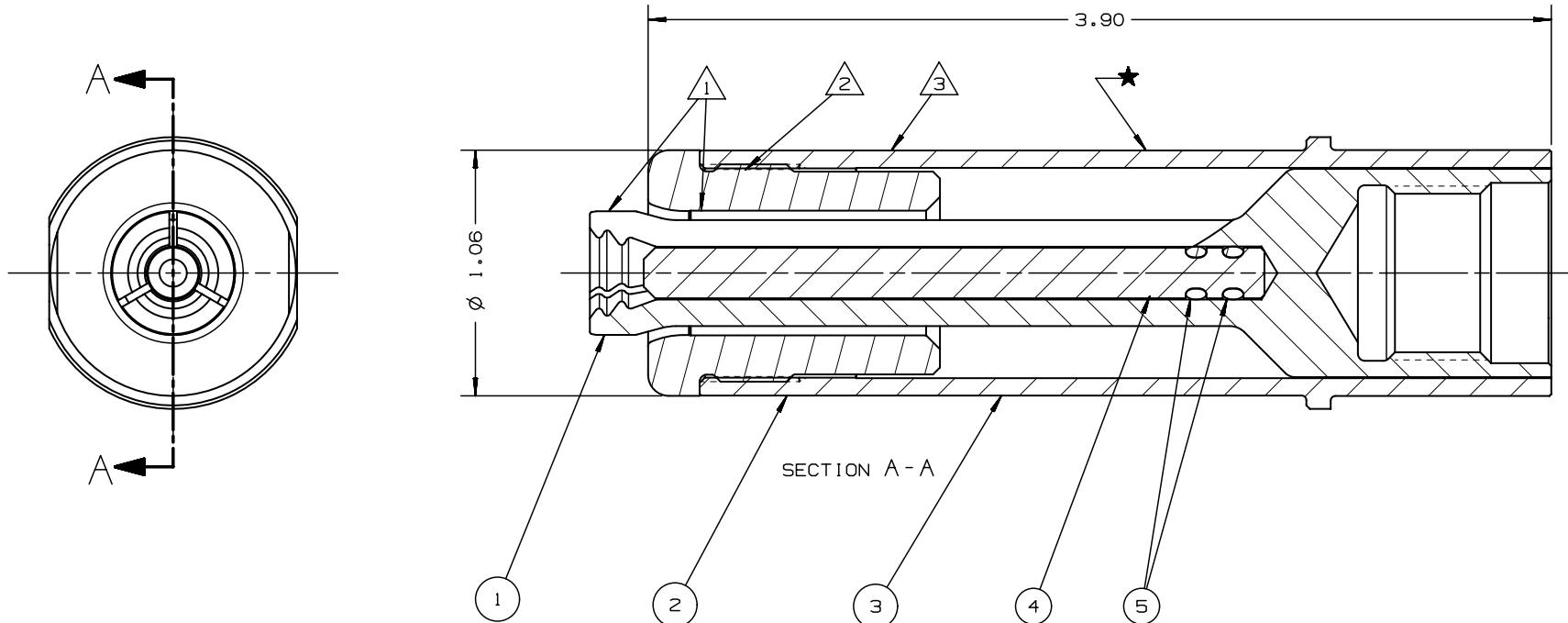


NOTES:

- ① APPLY ANTI-SEIZE LUBRICANT P/N: 508183 OR EQUIVALENT TO OUTSIDE OF PULLER AND INSIDE OF ANVIL.
- ② APPLY LOCTITE 242 P/N: 505316 TO THESE THREADED JOINTS PER MFR'S INSTRUCTIONS DURING ASSEMBLY ON TOOL.
- ③ APPLY WARNING STICKER P/N: 590273 TO ANVIL HOLDER.

REV	DESCRIPTION	DET	DATE
A	RELEASE		1/22/09
B	ADDED SYMBOLS TO NOTES; UPDATED NOTE 3, REMOVE .216 DIM.; UPDATED TITLE BLOCK DESCRIPTION		1/28/10
C	ADDED ITEM 4 (130261) & ITEM 5 (501009)	TRK	3/1/03



⑤	501009	2	O-RING, -005	5
④	130261	1	LIMIT ROD	4
	129116	1	ANVIL HOLDER	3
	129115	1	ANVIL, 3/8"	2
	129114	1	PULLER	1
PART NO.	QTY	DESCRIPTION	ITEM	

IDENTIFICATION PER SPEC 42-311: ★ PERMANENT	HUCK INTERNATIONAL, INC., I.S.D 1 CORPORATE DR KINGSTON, NEW YORK 12401		
ITAR/ECCN: EAR99	NOSE ASSY, -12(3/8") BOBTAIL 256BT TOOL		
SCH B#: 8467.99.0190	FINAL ASSY: -	DATE: 1/22/09	SCALE: 2:1
HTS: 8467.99.0190	ENG: TRK/OK	B 99-7924	