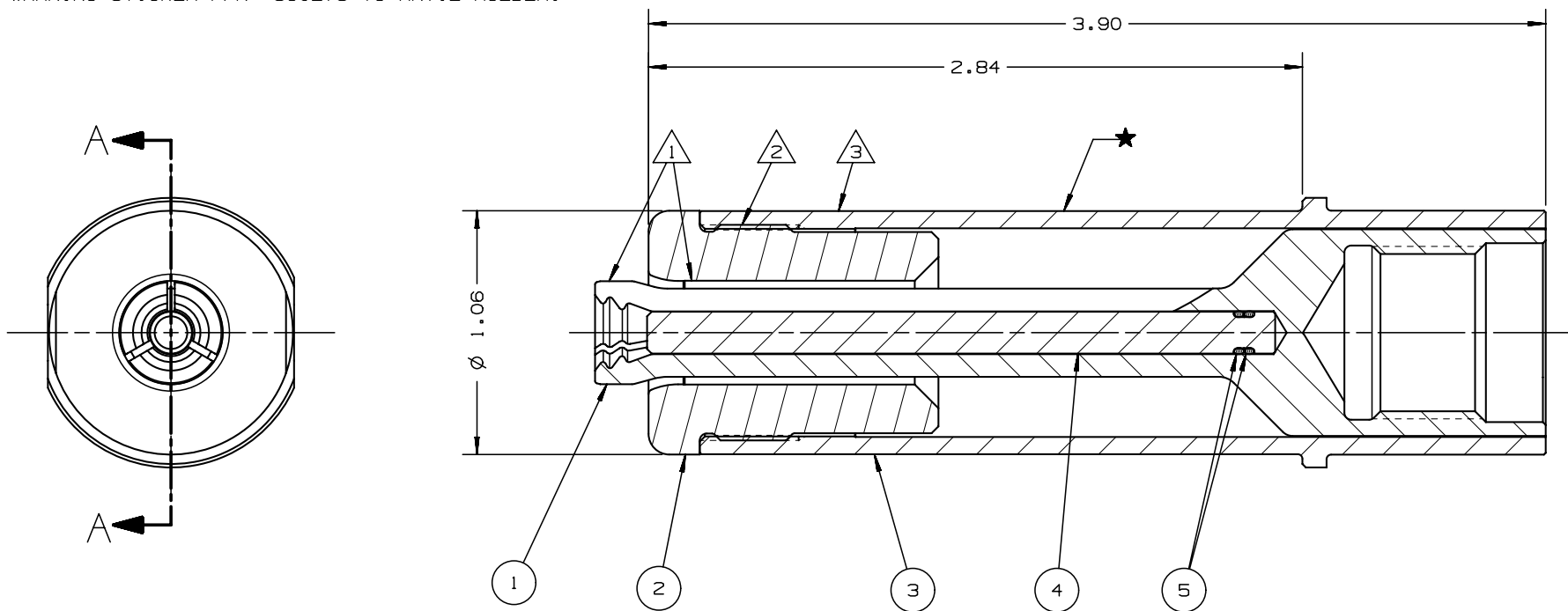




NOTES:

- ① APPLY ANTI-SEIZE LUBRICANT P/N: 508183 OR EQUIVALENT TO OUTSIDE OF PULLER AND INSIDE OF ANVIL.
- ② APPLY LOCTITE 242 P/N: 505316 TO THESE THREADED JOINTS PER MFR'S INSTRUCTIONS DURING ASSEMBLY ON TOOL.
- ③ APPLY WARNING STICKER P/N: 590273 TO ANVIL HOLDER.

REV	DESCRIPTION	DATE
A	RELEASE	1/14/10
B	ADDED 130253. (2) 508818	4/22/13



SECTION A - A

⑤	508818	2	O-RING. .125 I.D. X .031 C.S.	5
④	130253	1	PULLER STOP	4
③	129116	1	ANVIL HOLDER	3
②	129439	1	ANVIL, 5/16"	2
①	129438	1	PULLER	1
PART NO.	QTY	DESCRIPTION	ITEM	

IDENTIFICATION PER SPEC 42-311: ★ PERMANENT

ITAR:	HUCK INTERNATIONAL, INC., I.S.D. 1 CORPORATE DR., P.O. BOX 2270 KINGSTON, NEW YORK 12401		
ECCN: EAR99	NOSE ASSY, -10 (5/16") BOBTAIL 256BT TOOL		
SCH B#: 8467.99.0190	DET: HKS	CHK:	DATE: 1/14/10 SCALE: 2:1
HTS: 8467.99.0190	B	99-7923	