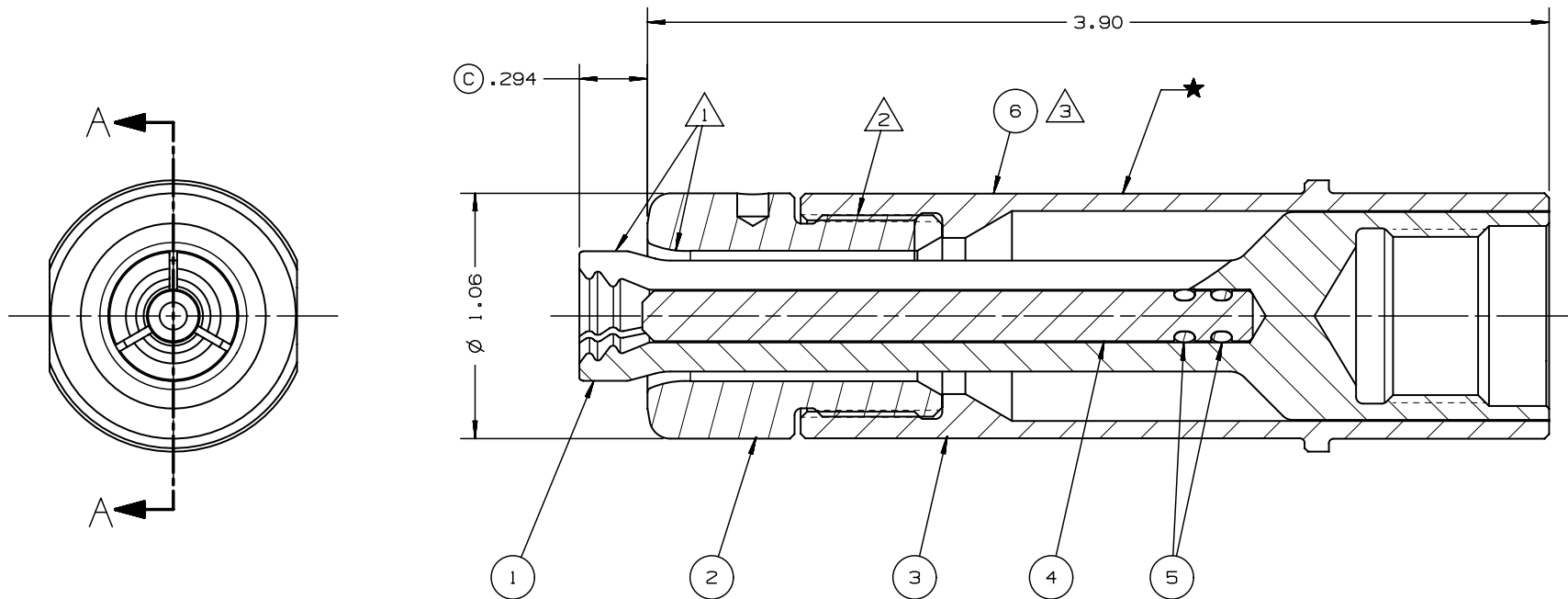




NOTES:

- 1 APPLY ANTI-SEIZE LUBRICANT P/N: 508183 OR EQUIVALENT TO OUTSIDE OF PULLER AND INSIDE OF ANVIL.
- 2 APPLY LOCTITE 243 P/N: 508567 TO THESE THREADED JOINTS PER MFR'S INSTRUCTIONS DURING ASSEMBLY ON TOOL.
- 3 APPLY WARNING STICKER P/N: 590273 TO ANVIL HOLDER.

REV	DESCRIPTION	DET	DATE
A	RELEASE	TRK	11/04/08
B	P/N 129183 WAS 129027	HKS	04/30/09
C	PULLER 130780 WAS 129026, ADDED ITEM 4 (130261), ITEM 5 (501009) & ITEM 6 (590273), .294 WAS .260, LOCKTITE 243 P/N 508567 WAS LOCKTITE 242 P/N 505316	SMA	10/23/14



SECTION A - A

(C)	590273	1	STICKER, WARNING	6
(C)	501009	2	O-RING AS568-005 C366Y D70 80	5
(C)	130261	1	LIMIT ROD	4
	129028	1	HOLDER, ANVIL	3
	129183	1	ANVIL, 10MM BT	2
(C)	130780	1	PULLER, 2503, 10MM BT	1
PART NO.	QTY	DESCRIPTION	ITEM	

IDENTIFICATION PER SPEC 42-311: ★ PERMANENT

HUCK INTERNATIONAL, INC., I.S.D
 1 CORPORATE DR
 KINGSTON, NEW YORK 12401

ITAR/ECCN: EAR99

NOSE ASSEMBLY, 10MM BOBTAIL
 2503 TOOL

SCH B#: 8467.99.0190

FINAL ASSY: -
 ENG: TRK

DATE: 11/04/08

SCALE: 1:1

HTS: 8467.99.0190

B

99-7903