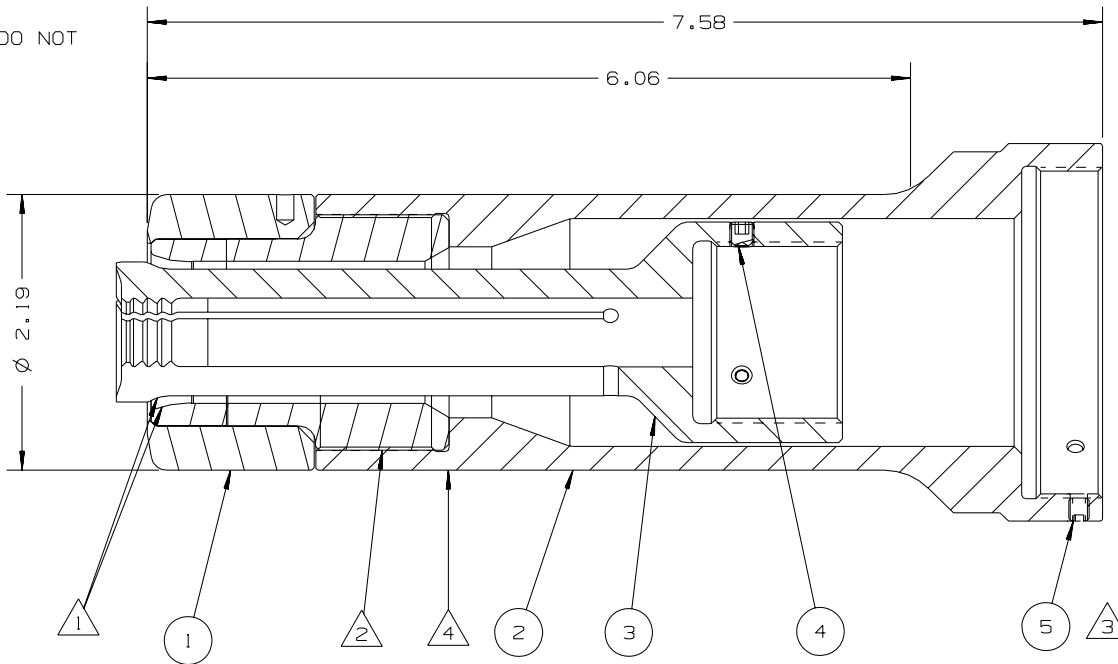
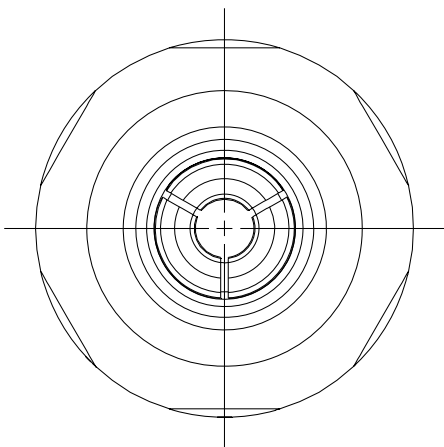




REV	DESCRIPTION	DATE
A	RELEASE	3/4/08
B	ADDED WARNING STICKER P/N:590273	7/28/08

NOTES:

- ① APPLY ANTI-SEIZE LUBRICANT P/N: 508183 TO OUTSIDE OF PULLER AND INSIDE OF ANVIL
- ② APPLY LOCTITE 242 P/N: 505016 TO THESE THREADED JOINTS PER MFR'S INSTRUCTIONS.
- ③ APPLY VIBRA-TITE P/N: 505125 TO SET SCREW THREADS PER MFR'S INSTRUCTIONS.
- ⓑ ④ APPLY WARNING STICKER P/N: 590273 TO ANVIL HOLDER. DO NOT PERMIT STICKER TO OVERLAP ONTO ANVIL.



SECTION A - A

501736	1	SET SCREW	5
501920	3	SET SCREW	4
128765	1	PULLER	3
128769	1	ANVIL HOLDER	2
128768	1	ANVIL ASSEMBLY	1
PART NO.	QTY	DESCRIPTION	ITEM

HUCK INTERNATIONAL, INC., I.S.D.
 1 CORPORATE DR., P.O. BOX 2270
 KINGSTON, NEW YORK 12401

NOSE ASSEMBLY 20MM BOBTAIL
 BTT57 TOOL

DET: TRK Dx: DATE: 3/4/08 SCALE: 1 : 1

FOC. FAC. **B** **99-7852**