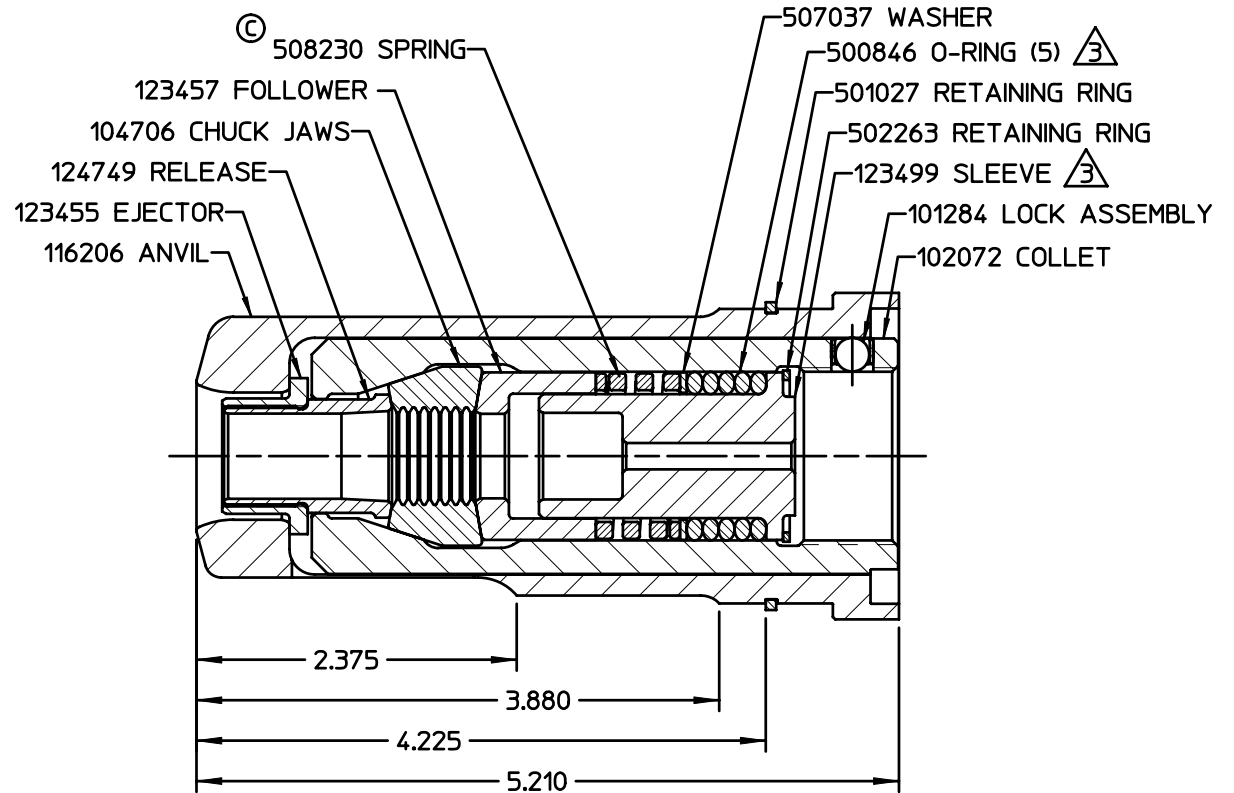
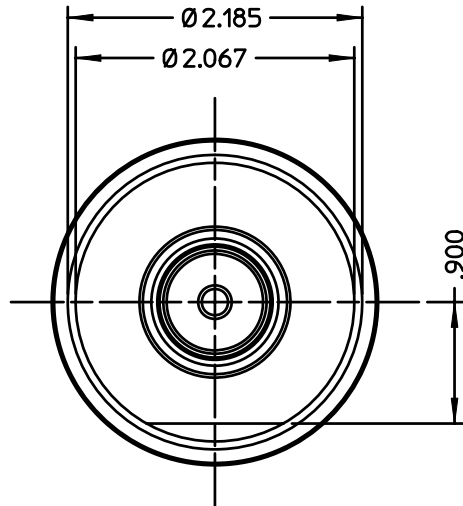



REV	DESCRIPTION	DATE
C	508230 SPRING WAS 507035 SPRING	04/25/07



NOTES:

- 1 COLLET AND LOCK ASSEMBLY 123458 CONSISTS OF:  
 COLLET 102072, NOT AVAILABLE SEPARATLY  
 LOCK ASSEMBLY 101284,  
 RELEASE 124749,  
 EJECTOR 123455.
- 2 RELEASE AND EJECTOR KIT 123459 CONSISTS OF:  
 RELEASE 124749,  
 EJECTOR 123455.
-  ASSEMBLE SLEEVE AND O-RINGS PER HUCK SPEC. 42-491.
- 4 SHIP WITH CAUTION TAG 590152.
- 5 RELEASE AND EJECTOR ASSEMBLY TOOL  
 124751 OPTIONALLY AVAILABLE.

HUCK INTERNATIONAL, INC., I.S.D. 85 GRAND STREET, P.O. BOX 2270 KINGSTON, NEW YORK 12401			
NOSE ASSEMBLY -20 HP8			
DET: CHR.	CK:	DATE: 04/25/07	SCALE: 1/1
FOC. FAC.	B	99-5301	