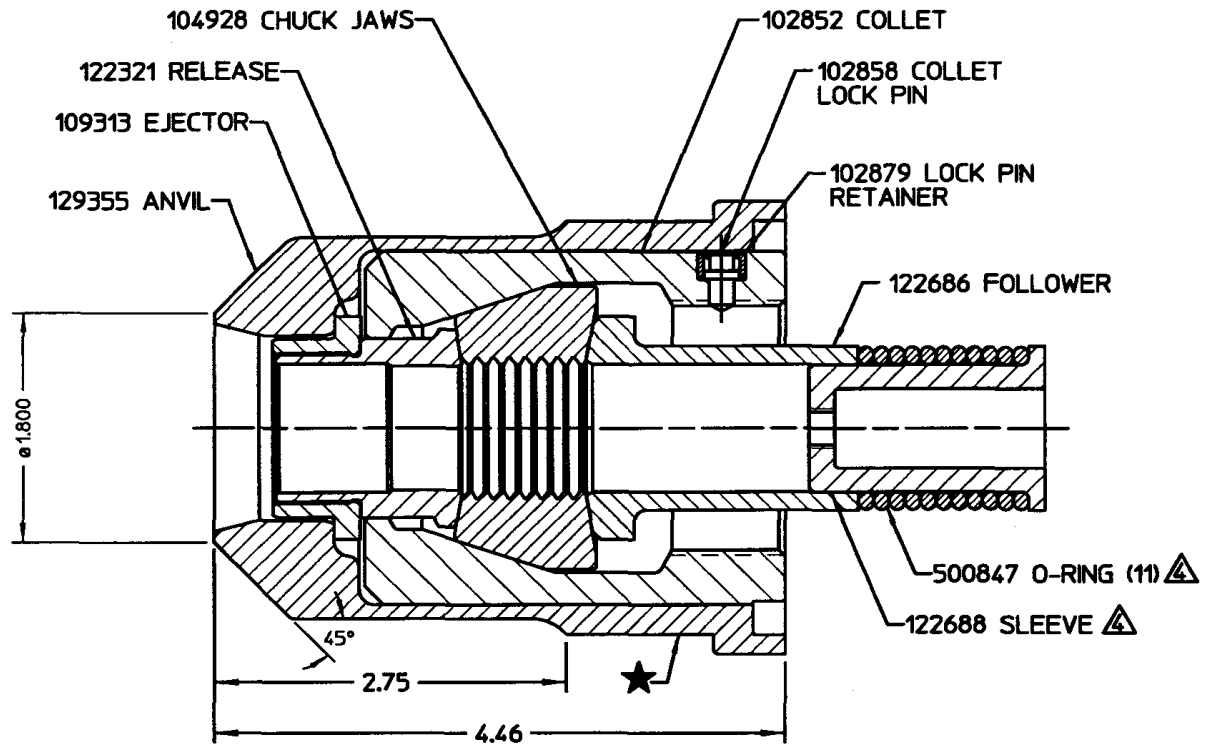
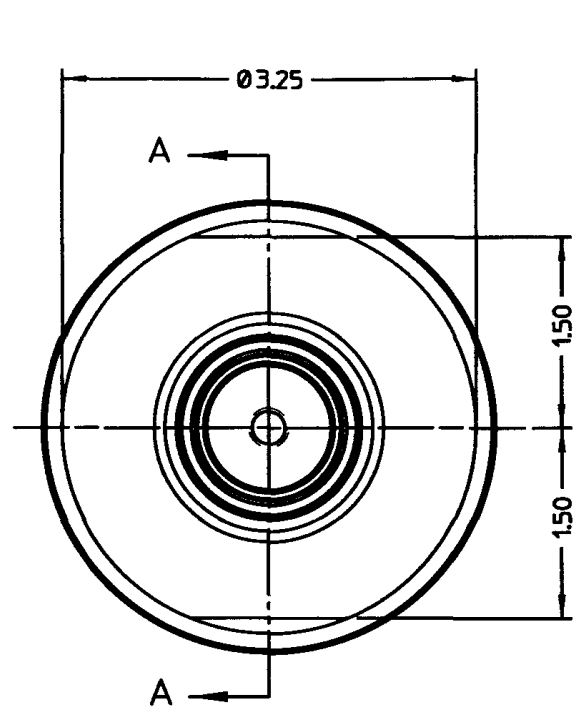




| REV | DESCRIPTION | DATE |
|-----|-------------|----------|
| A | RELEASE | 10/22/09 |



NOTES:

- 1 COLLET & LOCK ASSEMBLY P/N 102914 CONSISTS OF:
 102852 COLLET (NOT AVAILABLE SEPARATELY).
 102858 COLLET LOCK PIN
 102879 RETAINER
 122321 RELEASE
 109313 EJECTOR
 - 2 RELEASE & EJECTOR KIT P/N 122322 CONSISTS OF:
 122321 RELEASE
 109313 EJECTOR
 503657 LOCTITE
 - 3 SHIP WITH CAUTION TAG P/N 590152.
- ▲ ASSEMBLE SLEEVE & O-RINGS PER HUCK SPEC 42-491.

SECTION A-A

| | | | |
|--|----------------------|--|---------------------------|
| FORM REV D | | By occupying this proprietary Huck drawing, recipient agrees not to reproduce or disclose any part thereof to any other's without the written permission of Huck International, Inc. | |
| ITAR: | ECCN: EAR99 | SCH B#: 8467.99.0190 | HTS: 8467.99.0190 |
| MATERIAL: | SPEC: | TOLERANCES UNLESS OTHERWISE SPECIFIED: (ALL DIMENSIONS ARE IN INCHES) | |
| HARDNESS: | RAW OR STOCKED STATE | XX, XXX : | .01, .005 |
| HEAT TREAT TO: | SPEC: | INT. COR. RADII | .005-.015 |
| SURFACE TREAT: | SPEC: | BREAK EDGES | .005-.015 |
| SURFACE FINISH NOT TO EXCEED: 125 Ra | | ANGLES : | 3° |
| IDENTIFICATION PER SPEC 42-311: ★ PERMANENT | | DET: CHR CK: | DATE: 10/22/09 SCALE: 1:1 |
| SURFACES TO BE ○, //, ◆, ⊥, & □ WITHIN .005 T.I.R. | | FINAL ASSY: | B |

99-5016-1