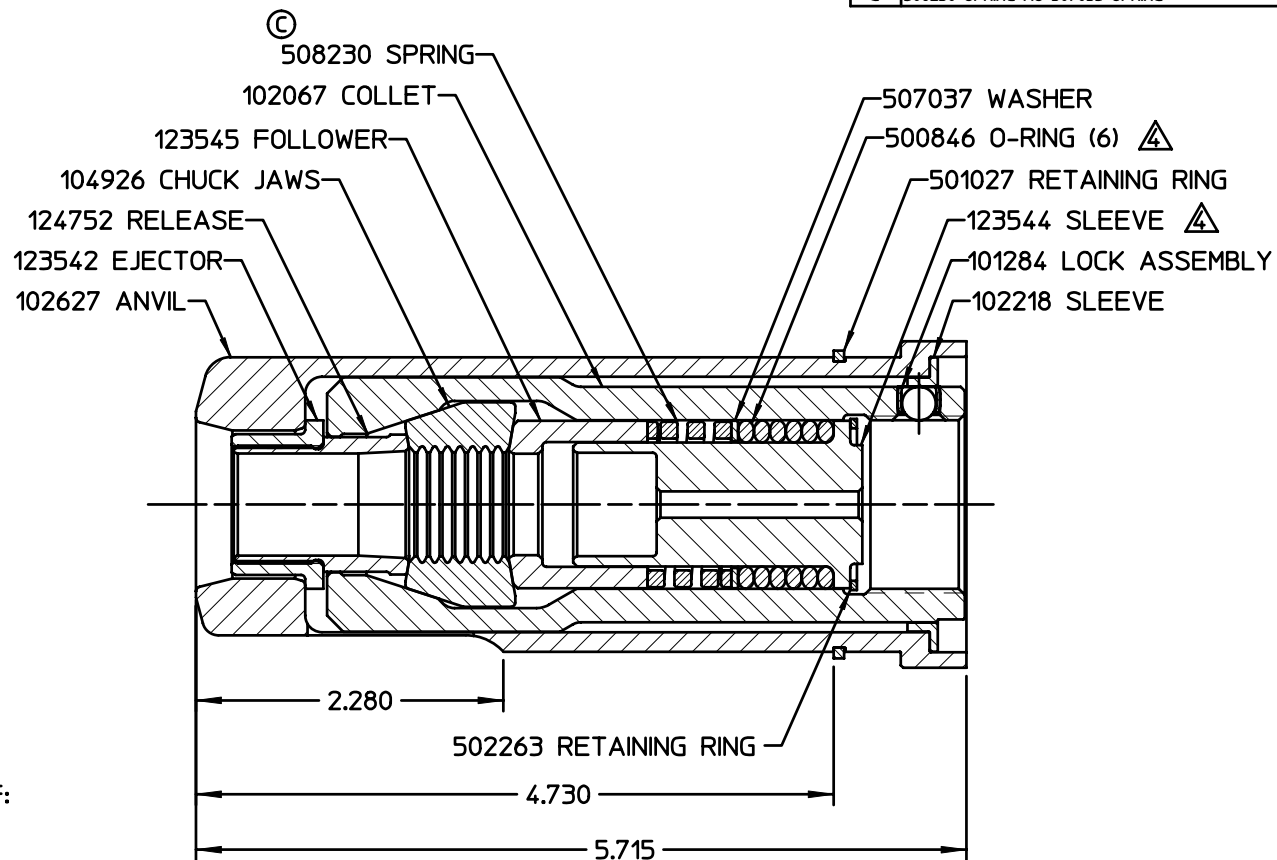
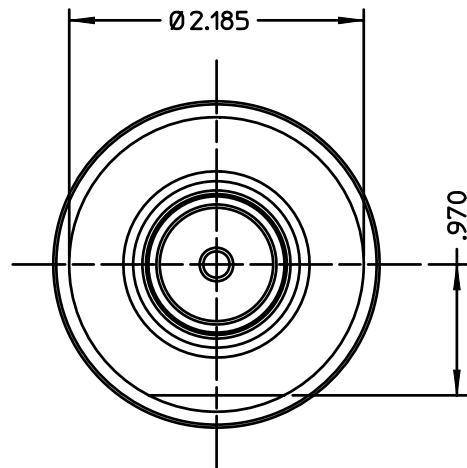




REV	DESCRIPTION	DATE
C	508230 SPRING AS 507035 SPRING	04/24/07



NOTES:

1 COLLET AND LOCK ASSEMBLY 123547 CONSISTS OF:
 102067 COLLET, (NOT AVAILABLE SEPARATELY).
 101284 LOCK ASSEMBLY
 123542 EJECTOR
 124752 RELEASE

2 RELEASE AND EJECTOR KIT 123546 CONSISTS OF:
 124752 RELEASE
 123542 EJECTOR

3 SHIP WITH CAUTION TAG 590152.

△ ASSEMBLE SLEEVE AND O-RINGS PER HUCK SPEC. 42-491.

5 RELEASE AND EJECTOR ASSEMBLY TOOL 124751
 OPTIONALLY AVAILABLE.

HUCK INTERNATIONAL, INC., I.S.D.
 85 GRAND STREET, P.O. BOX 2270
 KINGSTON, NEW YORK 12401

NOSE ASSEMBLY
 -24 C50L

DET: CHR. CK: DATE: 04/24/07 SCALE: 1/1

FOC. FAC. B 99-5010