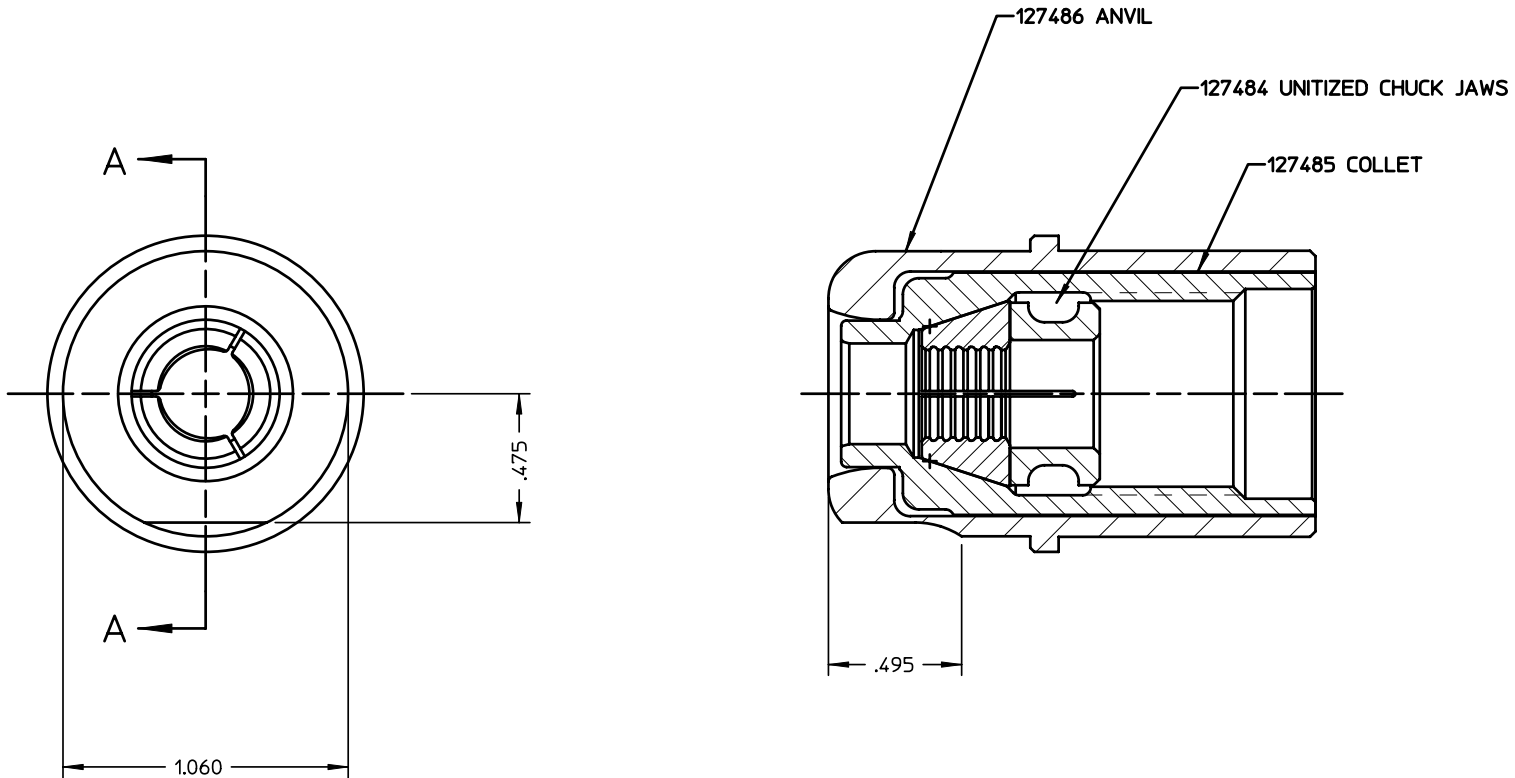




REV	DESCRIPTION	DATE
B	UPDATED DRAWING PICTORIALY	06/27/05



HUCK INTERNATIONAL, INC., I.S.D. 1 CORPORATE DRIVE, P.O. BOX 2270 KINGSTON, NEW YORK 12401			
NOSE ASSEMBLY -12 C-120			
DET: CHR	CK:	DATE: 06/27/05	SCALE: 2/1
FOC.	B	99-3401	
FAC.			