

NOTES:

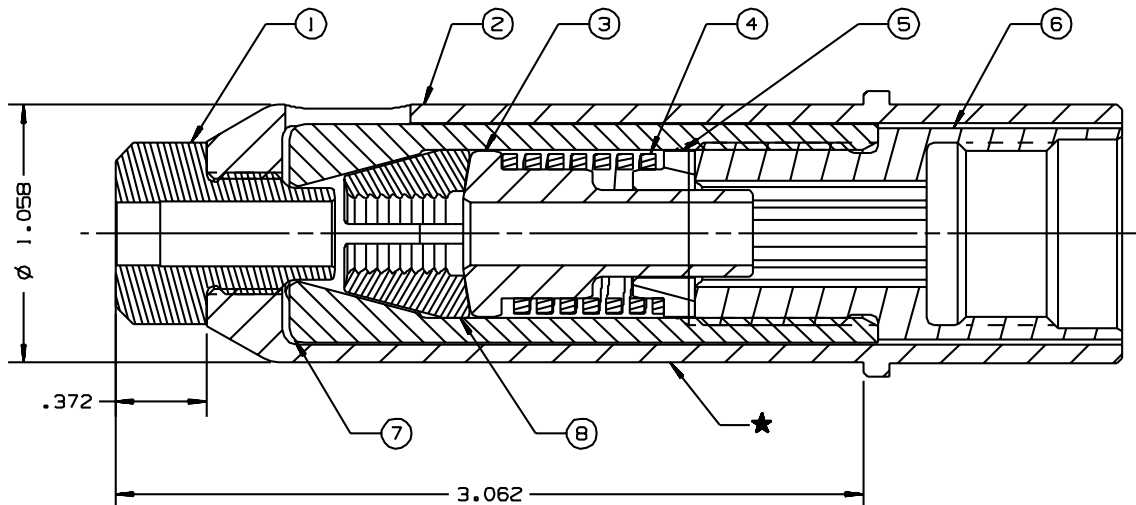
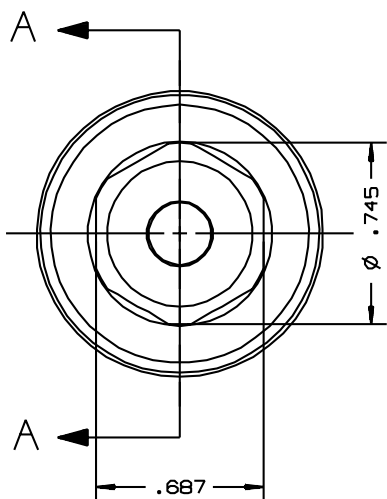
1 THE FOLLOWING STEEL DEFLECTORS ARE
 OPTIONALLY AVAILABLE:

FOR USE WITH 246 TOOL, USE 123634-246.

FOR USE WITH 2502/2503 TOOL USE 123634-2503.

FOR USE WITH 2580 TOOL USE 123634-2580.

REV	DESCRIPTION	DATE
D	MODELED IN UG	08/17/06



SECTION A - A

125577	1	CHUCK JAWS	8
118953	1	COLLET	7
123881	1	COLLET EXTENSION	6
118957	1	CAP	5
125411	1	SPRING	4
118956	1	FOLLOWER	3
118952	1	ANVIL HOLDER	2
118954	1	ANVIL INSERT	1
PART NO.	QTY.	DESCRIPTION	ITEM

HUCK INTERNATIONAL, INC., I.S.D.
 1 CORPORATE DR., P.O. BOX 2270
 KINGSTON, NEW YORK 12401

NOSE ASSEMBLY
 - 12 MGL

DES: JLK CHK: DATE: 06/18/03 SCALE: 2:1

FOC: FAC: B 99-3318