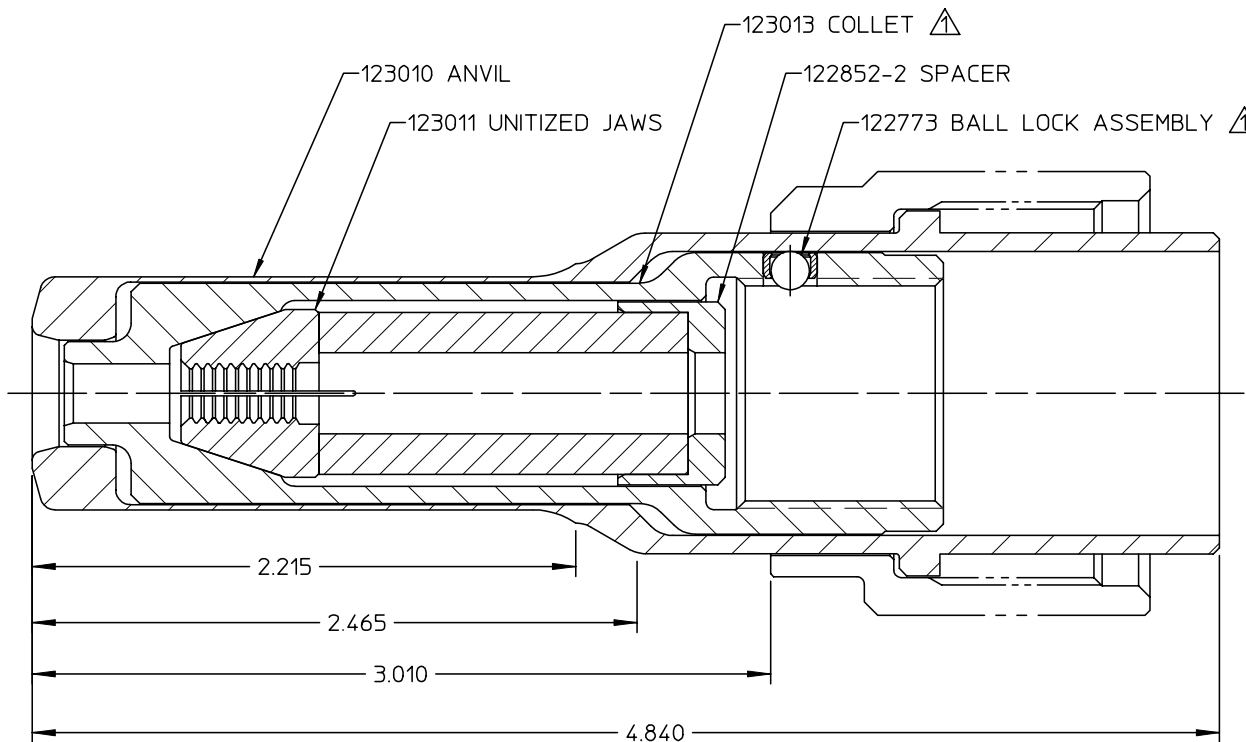
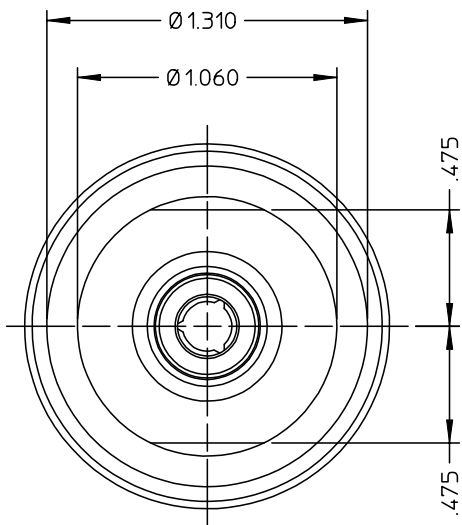




**Alcoa  
 Fastening  
 Systems**



# DATA SHEET



<b>99-3119</b>	<b>Alcoa Fastening Systems</b> Commercial Products 1 Corporate Drive, Kingston, NY 12401	
	TYPE:	NON-SELF-RELEASING
	FASTENER:	-10 BOM
	TOOL(S):	2600
	Notes:	Product Revision: <b>B</b>
	US Patent:	Date: 07/09/03

NOTES:

△ COLLET AND LOCK ASSEMBLY P/N 123012 CONSISTS OF:  
 COLLET P/N 123013  
 BALL LOCK ASSEMBLY P/N 122773  
 NOT AVAILABLE SEPARATELY.

2 STEEL DEFLECTOR: 126634-2600 IS OPTIONALLY AVAILABLE.