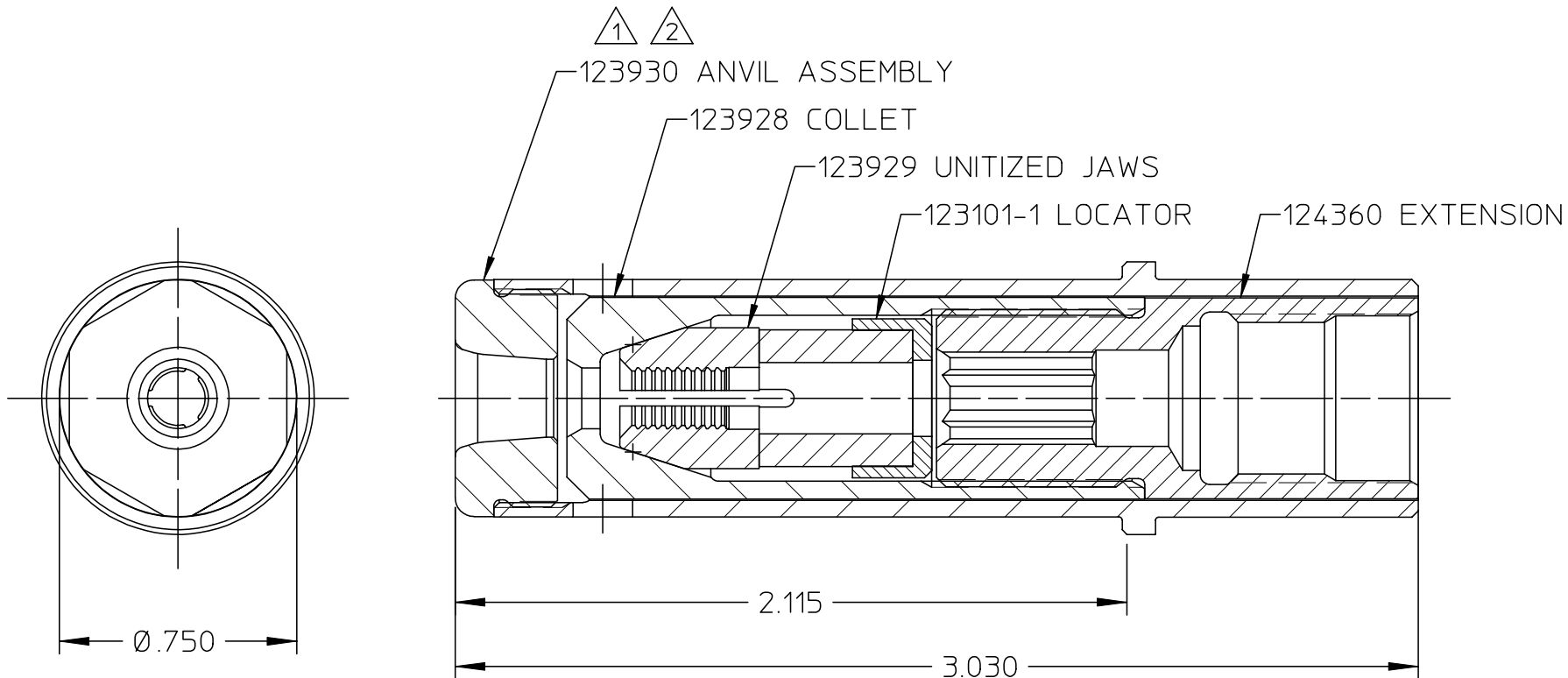


**Alcoa  
Fastening  
Systems**



## DATA SHEET



<b>99-3003</b> Part Number	<b>Alcoa Fastening Systems</b> Commercial Products 1 Corporate Drive, Kingston, NY 12401	
	TYPE:	NON-SELF-RELEASING
	FASTENER:	-06 C6L
	TOOL(S):	202, 212, 230, 2400
	Notes:	Product Revision: <b>C</b>
	US Patent:	Date: 07/09/03

NOTES:

- 1. ANVIL ASSY 123930 CONSISTS OF:  
 (1) 120633-1 ANVIL HOLDER AND  
 (1) 120624 ANVIL INSERT  
 BOTH ARE AVAILABLE INDIVIDUALLY.
- 2. ANVIL INSERT WRENCH 125400 IS  
 OPTIONALLY AVAILABLE.