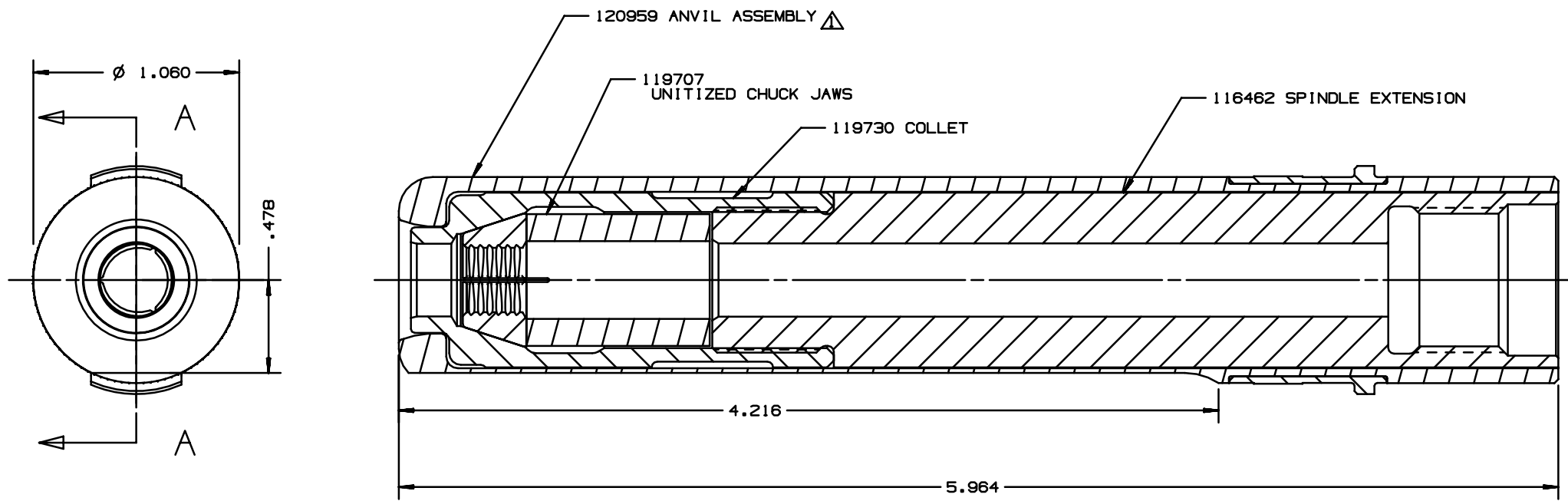




REV	DESCRIPTION	DATE
C	MODELED IN UG	08-10-05



SECTION A - A

NOTES:

△ ANVIL ASSEMBLY P/N 120959 CONSISTS OF:
 ANVIL P/N 121204 AND
 RETAINER P/N 120737.
 NOT AVAILABLE SEPARATELY

HUCK INTERNATIONAL, INC., I.S.D. 1 CORPORATE DR., P.O. BOX 2270 KINGSTON, NEW YORK 12401			
NON-SELF-RELEASING -12 GP/H-100			
DETA	CPL	CHK	DATE: 07-07-03
FOC.	FAC.	B	SCALE: 2:1 99-2571