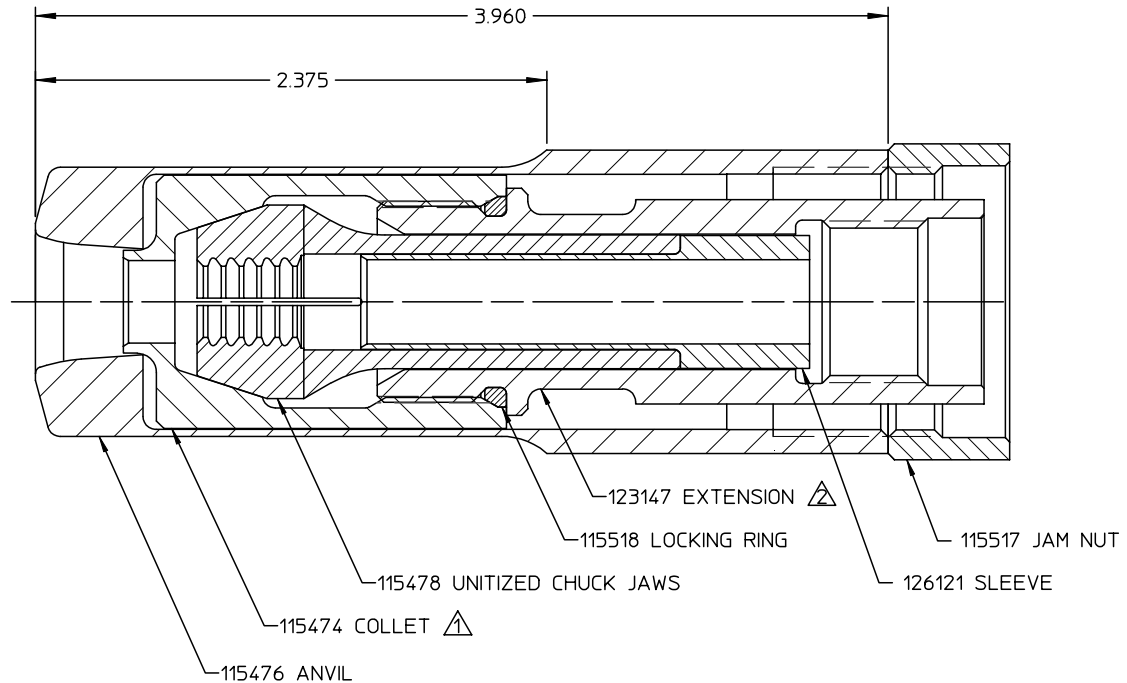
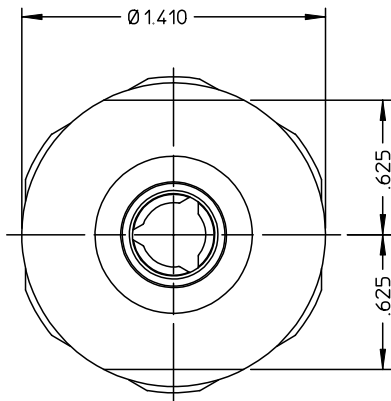




**Alcoa
 Fastening
 Systems**



DATA SHEET



99-1450	Alcoa Fastening Systems Commercial Products 1 Corporate Drive, Kingston, NY 12401	
	NOSE TYPE:	NON-Self-RELEASING
	FASTENER TYPE:	-12 MG
	TOOL(S):	246, 2502, 4801, 4802
	Notes:	Product Revision: F
	US Patent:	Date: 06/18/03

NOTES:

▲ TORQUE TO 60 FTLBS MIN

▲ FOR SERVICE ORDER EXTENSION LOCK RING ASSEMBLY P/N 115516.

3 INCLUDE P/N 115738 SPACER, FOR USE WITH 4801 TOOL.