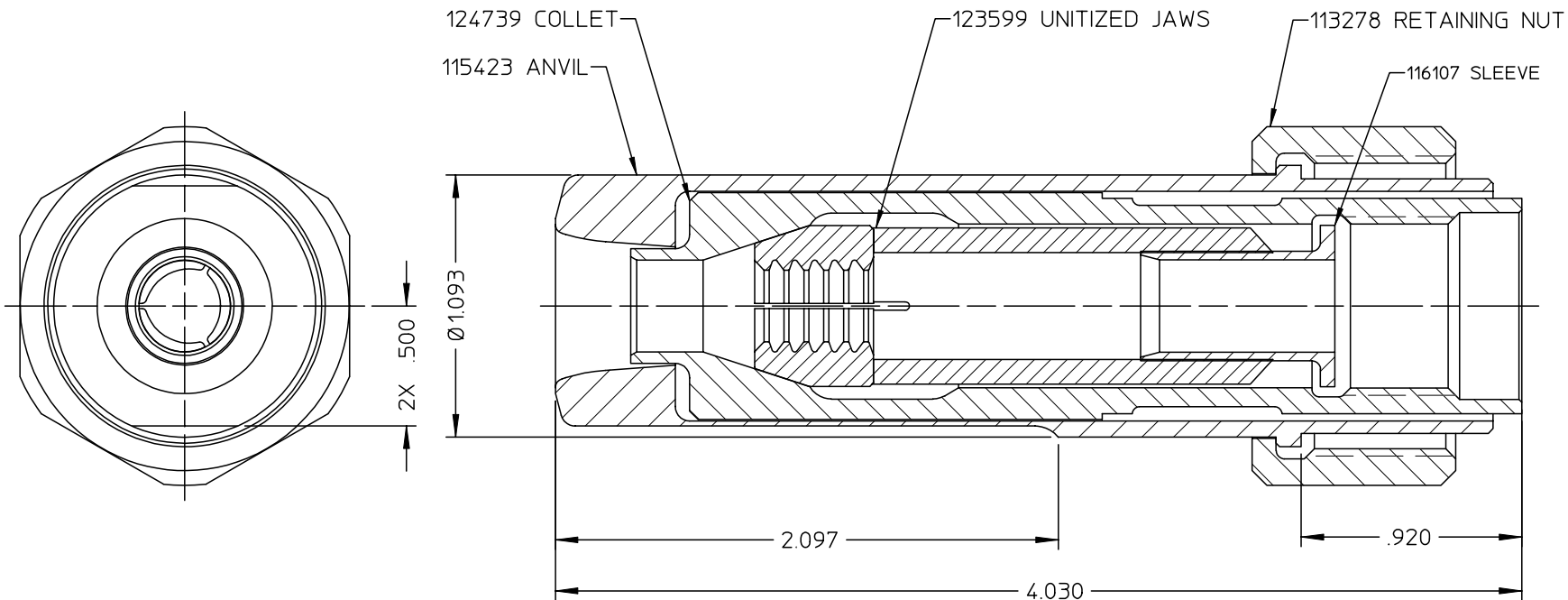




**Alcoa
 Fastening
 Systems**



DATA SHEET



99-1440 Part Number	Alcoa Fastening Systems Commercial Products 1 Corporate Drive, Kingston, NY 12401	
	TYPE:	NON-Self-RELEASING
	FASTENER:	-12 MG
	TOOL(S):	246
	Notes:	Product Revision: G
US Patent:	Date: 07/24/03	