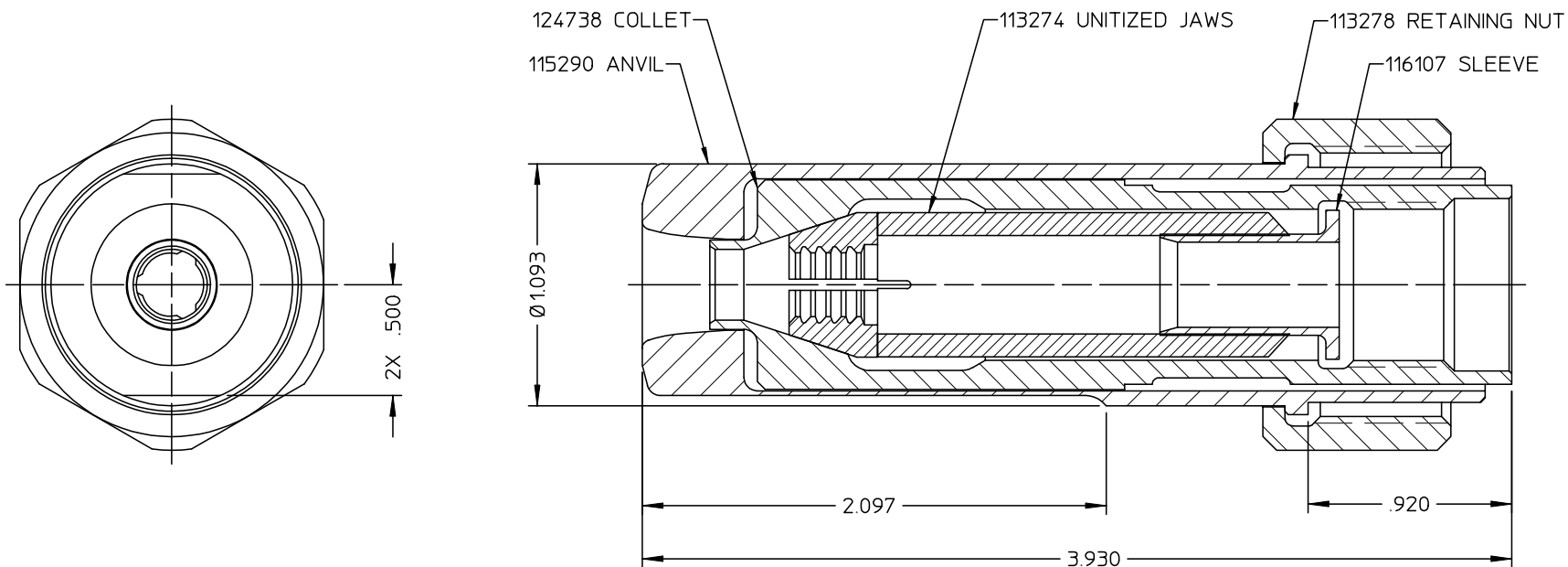




**Alcoa  
 Fastening  
 Systems**



# DATA SHEET



<b>99-1439</b>	<b>Alcoa Fastening Systems</b> Commercial Products 1 Corporate Drive, Kingston, NY 12401	
	NOSE TYPE:	NON-SELF-RELEASING
	FASTENER TYPE:	-10 MG
	TOOL(S):	246
	Notes:	Product Revision: <b>F</b>
	US Patent:	Date: 06/18/03