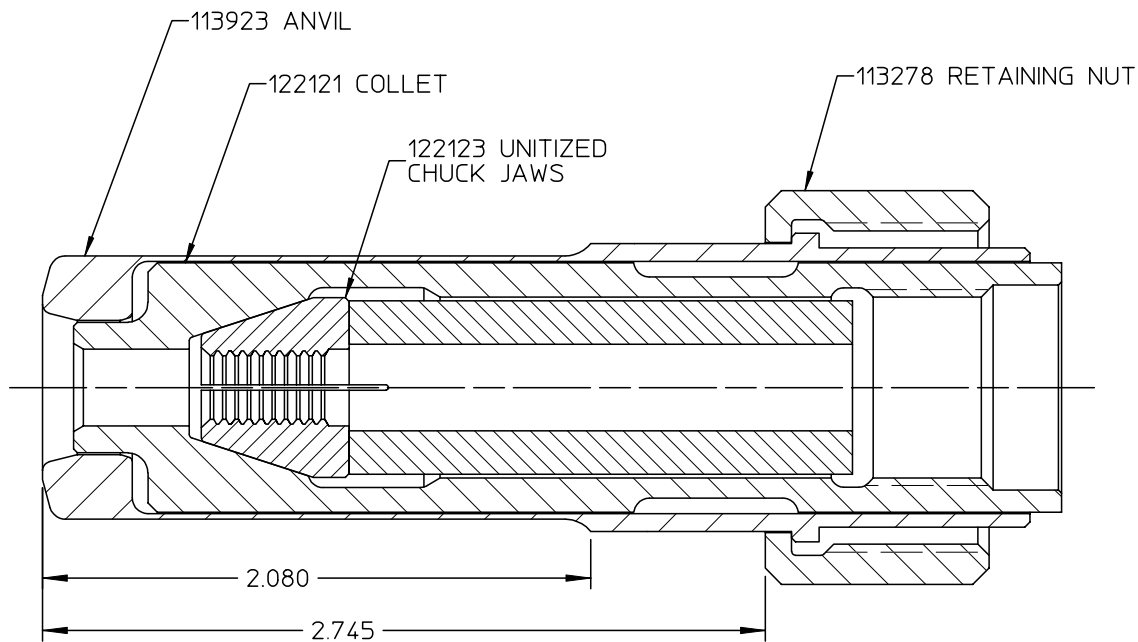
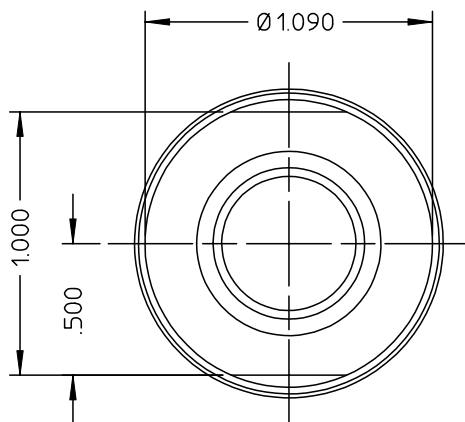




**Alcoa  
Fastening  
Systems**



## DATA SHEET



<b>99-1272</b>	<b>Alcoa Fastening Systems</b> Commercial Products 1 Corporate Drive, Kingston, NY 12401	
	NOSE TYPE:	NON-Self-RELEASING
	FASTENER TYPE:	-12 BOM
	TOOL(S):	246
	Notes:	Product Revision: <b>D</b>
	US Patent:	Date: 06/18/03

NOTE:

- THE FOLLOWING STEEL DEFLECTORS ARE OPTIONALLY AVAILABLE:  
 FOR USE WITH 246 TOOL, USE 123634-246.  
 FOR USE WITH 2502/2503 TOOL USE 123634-2503.  
 FOR USE WITH 2580 TOOL USE 123634-2580.